

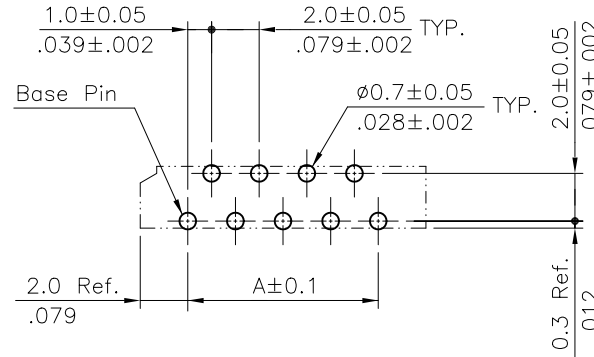
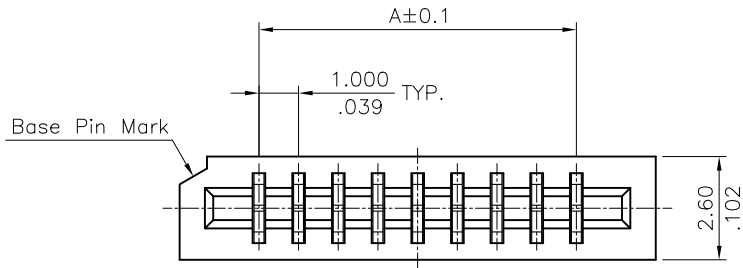
Notes:

- * Body: Nylon 6T UL 94V-0
- * Contact : Phosphor Bronze
- * For Lead Free Wave Flow Process

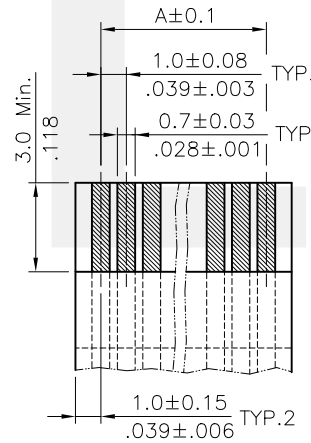
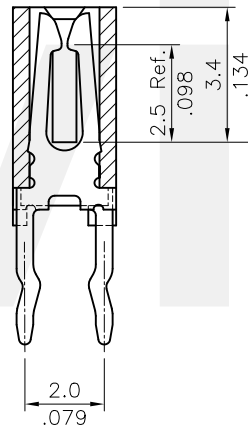
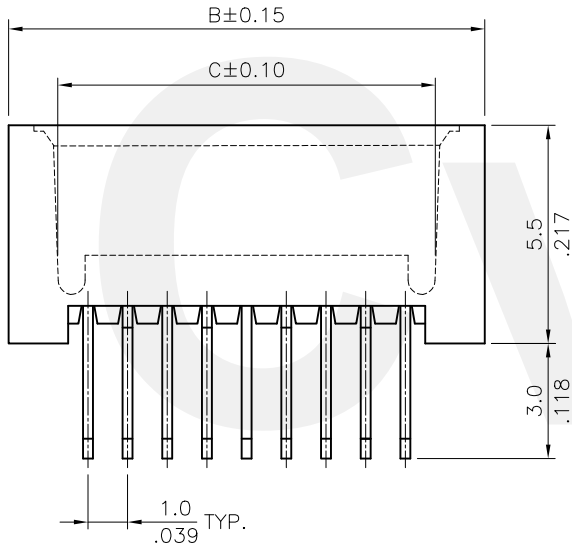
Ordering Code

CF09 ** 1 V 1 00 -NH
 ① ② ③ ④ ⑤ ⑥ ⑦

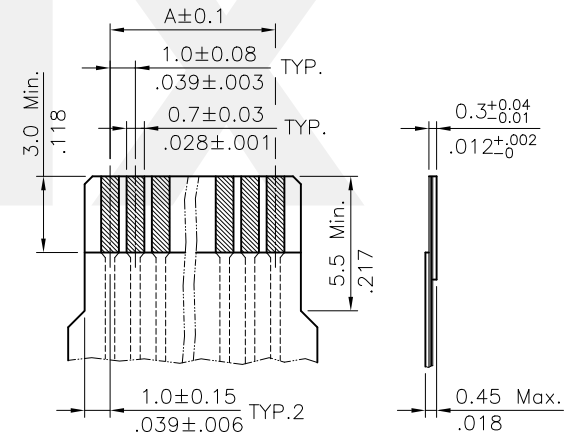
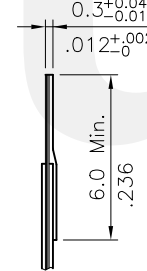
- ① Series No.
- ② No. of Circuits
- ③ Plating code:
1 = 3.05µm(120µ") Min. Matte Tin
over 1.27µm(50µ") Nickel
- ④ Contact style: V= Top entry
- ⑤ Color: 1= Color Black
- ⑥ Options: 00= Standard
- ⑦ Other option:
-NH= For Lead Free Wave Flow Process
and Halogen-Free



Recommended P.C. Board Layout



Accommodated FFC



Accommodated FPC


A = 1.00 * No. of Spaces
 B = A + 4.0
 C = A + 2.1

* Available in 4 through 32 circuits

Halogen-Free

Lead Free Process

RoHS Compliant

④					DATE	UNIT: mm / inch	TITLE: 1.0mm(.039") DIP TYPE LIF FPC/FPC CONNECTOR	 瀚荃股份有限公司 CviLux Corporation	
③					DRAWN BY: Karen	TOLERANCE UNLESS OTHERWISE SPECIFIED	MATERIAL:		
②					ENGINEER: Sun	.X ± 0.15/.006 X: ± 1'	FINISH:		
①					CHECKED BY: Eisley	.XX ± 0.10/.004 X: ±			
SYM	NAME	DATE	REVISIONS	APPROVED BY: David	1/13-15'	.XXX ± 0.05/.002 X: ±	DRAWING NO. CF0924SA	PART NO. CF09**1V100-NH	
								SCALE 5 / 1	SHEET 1 OF 1

