

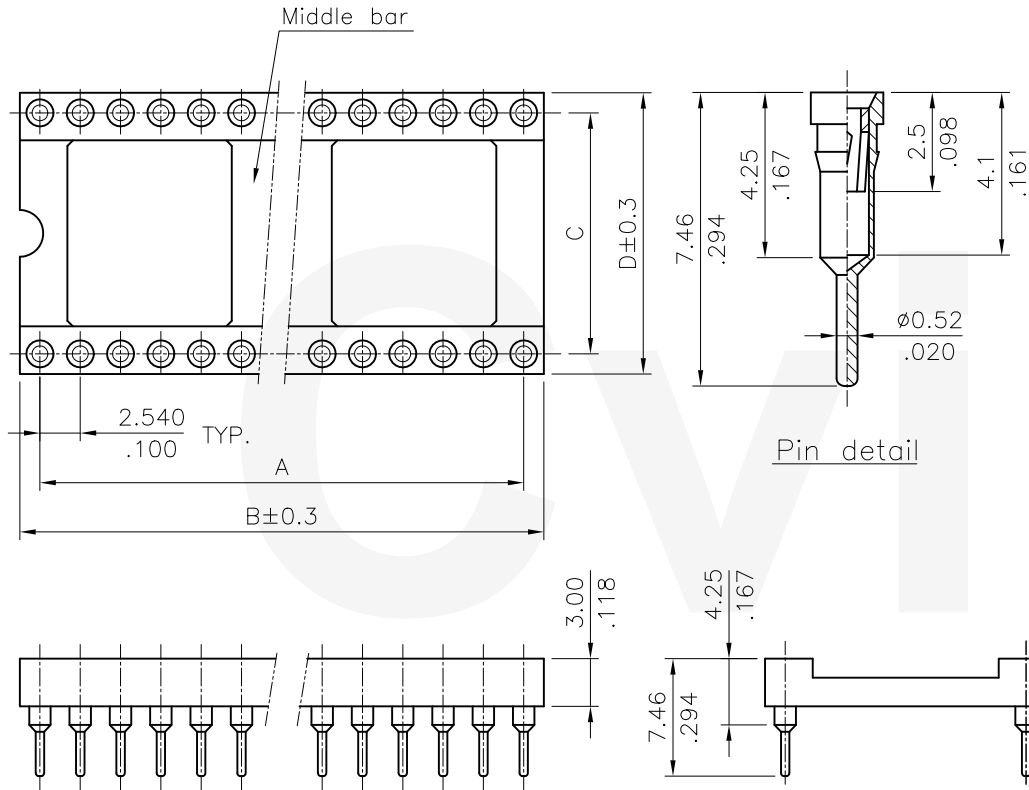
Material:

\* Insulation: Glass filled polyester UL 94V-0, Color Black

\* Pin:

Outer sleeve: Brass, machined

Inner 4 finger contact: Beryllium Copper, heat treated

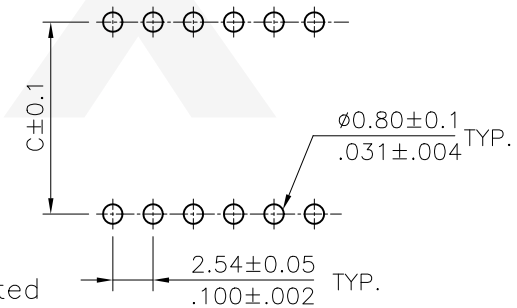


| Circuits | CviLux P/N  | Dimension    |              |             |             |
|----------|-------------|--------------|--------------|-------------|-------------|
|          |             | A            | B            | C           | D           |
| 6        | CS0706D1000 | 5.08(.200)   | 7.62(.300)   | 7.62(.300)  | 10.04(.395) |
| 8        | CS0708D1000 | 7.62(.300)   | 10.16(.400)  | 7.62(.300)  | 10.04(.395) |
| 14       | CS0714D1000 | 15.24(.600)  | 17.78(.700)  | 7.62(.300)  | 10.04(.395) |
| 16       | CS0716D1000 | 17.78(.700)  | 20.32(.800)  | 7.62(.300)  | 10.04(.395) |
| 18       | CS0718D1000 | 20.32(.800)  | 22.86(.900)  | 7.62(.300)  | 10.04(.395) |
| 20       | CS0720D1000 | 22.86(.900)  | 25.40(1.000) | 7.62(.300)  | 10.04(.395) |
| 24       | CS0724D1000 | 27.94(1.100) | 30.48(1.200) | 7.62(.300)  | 10.04(.395) |
|          | CS0724D1A00 |              |              | 15.24(.600) | 17.72(.698) |
| 28       | CS0728D1000 | 33.02(1.300) | 35.56(1.400) | 7.62(.300)  | 10.04(.395) |
|          | CS0728D1A00 |              |              | 15.24(.600) | 17.72(.698) |
| 32       | CS0732D1A00 | 38.10(1.500) | 40.64(1.600) | 15.24(.600) | 17.72(.698) |
| 40       | CS0740D1A00 | 48.26(1.900) | 50.80(2.000) | 15.24(.600) | 17.72(.698) |
| 42       | CS0742D1A00 | 50.80(2.000) | 53.34(2.100) | 15.24(.600) | 17.72(.698) |
| 48       | CS0748D1A00 | 58.42(2.300) | 60.96(2.400) | 15.24(.600) | 17.72(.698) |

### Ordering Code

CS07    \*\*    D    1    \*00  
 ①       ②       ③       ④       ⑤

- ① Series No.
- ② Circuits:
- ③ Plating Code :  
 D= Tin plated sleeve with  
 0.25um(10uin) Gold plated
- ④ Color : 1= Black
- ⑤ Option :



Recommended P.C. Board Layout

000: Dim. D= 10.04mm  
 A00: Dim. D= 17.72mm(Middle bar)

RoHS Compliant

| SYM | NAME  | DATE     | REVISIONS             | APPROVED BY: | DATE   | UNIT: mm / inch                         | TITLE:                   | DRAWING NO. | PART NO. | SHEET | OF |
|-----|-------|----------|-----------------------|--------------|--------|---|--------------------------|-------------|----------|-------|----|
| 4   |       |          |                       |              |        | mm / inch                               | 2.54MM(.100") DIP SOCKET |             |          |       |    |
| 3   |       |          |                       |              |        | TOLERANCE<br>UNLESS OTHERWISE SPECIFIED |                          |             |          |       |    |
| 2   | Karen | 1/20-15' | ECNT115011/ECRT114110 | ENGINEER:    | Sun    | .X ± 0.30 / .012                        |                          |             |          |       |    |
| 1   | Sandy | 8/1/05'  | ECN05262              | CHECKED BY:  | Eisley | .XX ± 0.20 / .008                       |                          |             |          |       |    |
|     |       |          |                       | APPROVED BY: | David  | .XXX ± 0.10 / .004                      |                          |             |          |       |    |

CVILUX CORP  
 2015.01.29  
 ISSUED

瀚荃股份有限公司  
 CviLux Corporation

DRAWING NO. **CS0701SG**    PART NO. **CS07\*\*D1\*00**  
 SCALE    2 / 1    SHEET    1    OF    1