

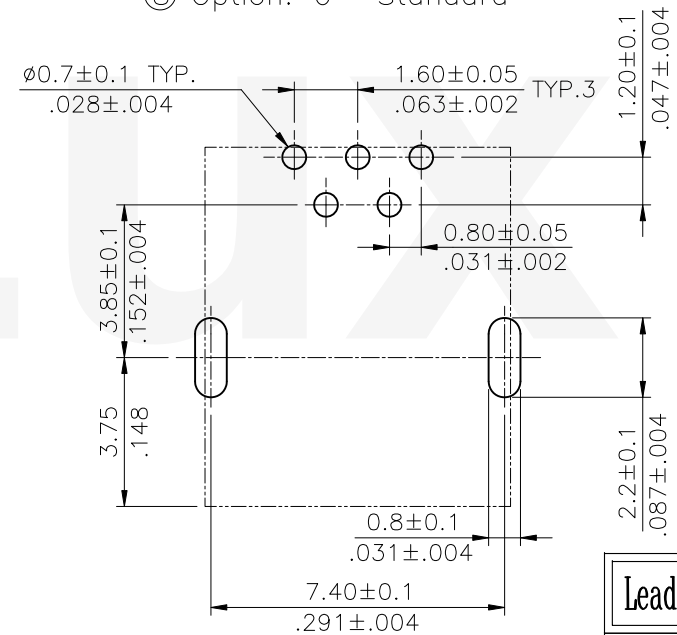
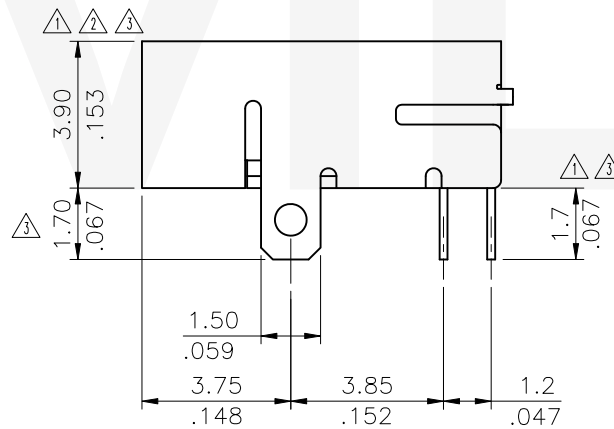
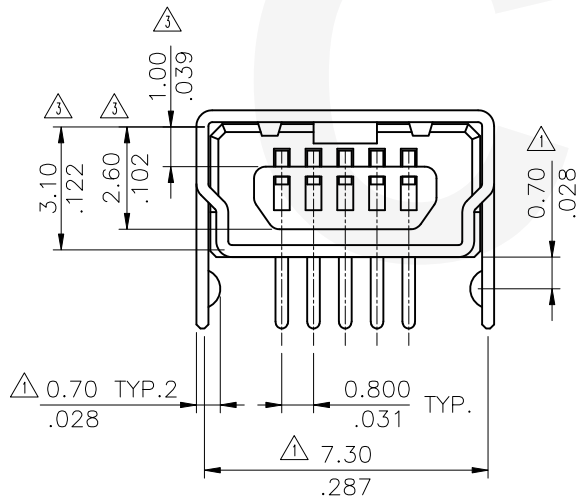
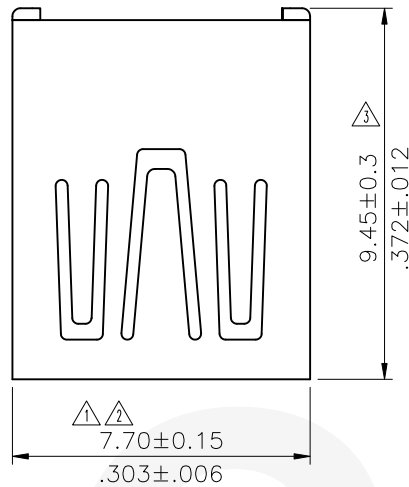
Materials :

Insulator: Nylon 9T+33% GF. UL 94V-0
 Contacts: Phosphor Bronze
 Shell: Phosphor Bronze
 Shell Plating: 100μ" Tin over 80μ" Ni

Ordering Code:

CU04 S C H 1 5 B 0
 ① ② ③ ④ ⑤ ⑥ ⑦ ⑧


- ① Series No.
- ② S= Socket
- ③ Plating option:
 B= Selective 0.38μm (15μ") Gold plated over 1.27μm(50μ") Nickel
 C= Selective 0.76μm (30μ") Gold plated over 1.27μm(50μ") Nickel
- ④ Tail style: H= Right Angle DIP Type
- ⑤ Insulator Color: 1= Black
- ⑥ No of Circuits: 5= 5 Pin
- ⑦ Type: B= Mini USB 5 Pin Type-B
- ⑧ Option: 0= Standard



Lead Free Process
 RoHS Compliant

Recommended P.C. Board Layout

CVILUX CORP
 2019.01.17
 ISSUED

④						DATE	UNIT: mm / inch	TITLE: MINI USB 5 PIN DIP TYPE BOARD MOUNT CONNECTOR	 瀚荃股份有限公司 CviLux Corporation
③	Sun	12/12-18	ECRT118064/ECNT118294	DRAWN BY:	Sun	1/10-19'	TOLERANCE UNLESS OTHERWISE SPECIFIED	MATERIAL:	
②	Sun	6/10/05'	ECN05210	ENGINEER:	Sun	1/10-19'	.X ± 0.30/.012 .X' ± 1'	FINISH:	
①	Sun	3/05/04'	ECR04026-0/ECN04091	CHECKED BY:	Eisley	1/11-19'	.XX ± 0.20/.008 .X' ±	DRAWING NO. CU0403SH PART NO. CU04S*H15B0	
SYM	NAME	DATE	REVISIONS	APPROVED BY:	Eisley	1/11-19'	.XXX ± 0.10/.004 .XX' ±	SCALE 4 / 1	SHEET 1 OF 1