

DIM.A= 1.27 x No. of Spaces  
 DIM.B= DIM.A + 5.87  
 DIM.C= DIM.A + 1.80  
 DIM.D= DIM.A + 3.27  
 \*Available in 4 ~ 26 Circuits

Material:

\* Insulation:

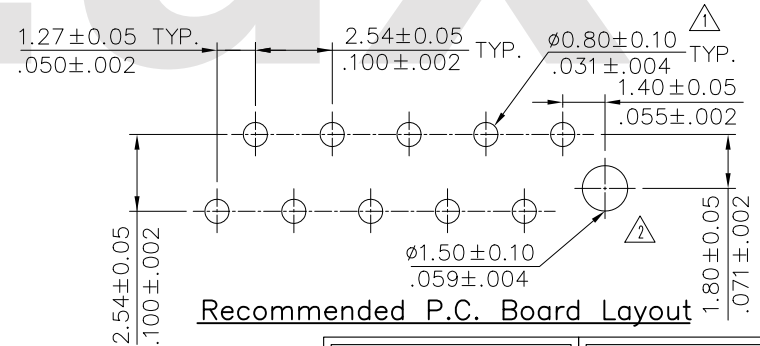
Glass Filled Polyester UL 94V-0

\* Contact: Phosphor Bronze


Ordering Code:

CA32 \*\* V 1 3 \* \*  
 ① ② ③ ④ ⑤ ⑥ ⑦

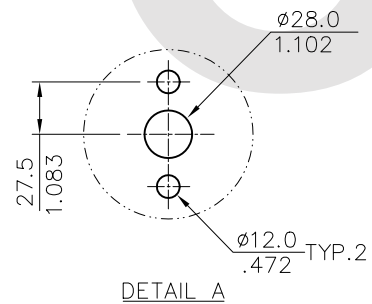
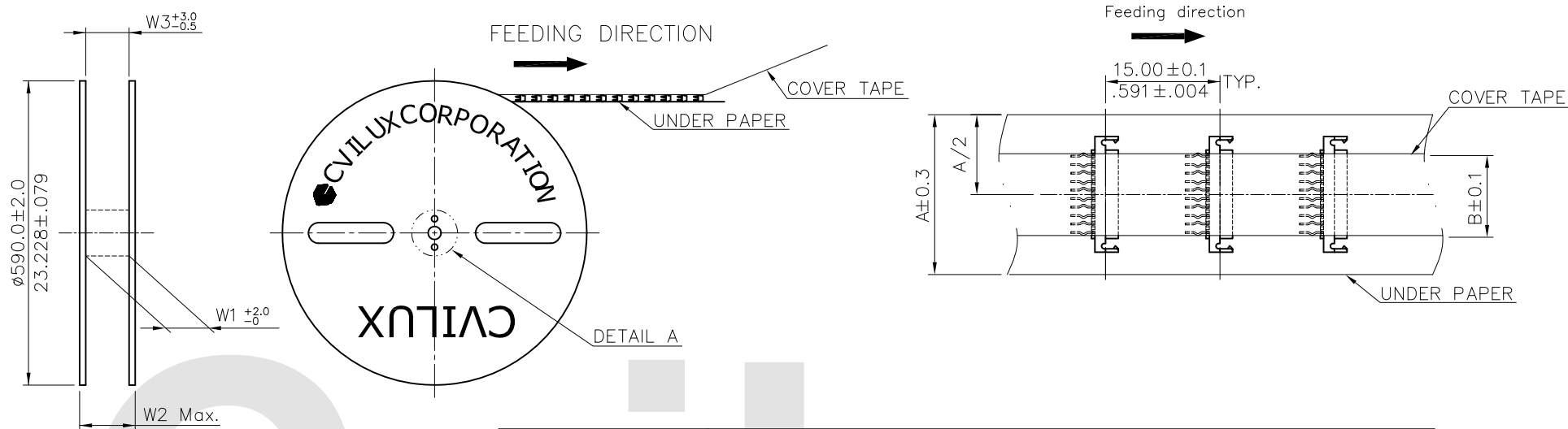
- ① Series No.:
- ② No. of Circuits: 04 to 26
- ③ Contacts Type:  
V= Straight Type
- ④ Plating option:  
1= Tin over Nickel plated  
(Matte Tin Plated)
- ⑤ Color: 3= Red
- ⑥ Option: 0=Tube Packing  
R=Tape & Reel Packing
- ⑥ Other Option:  
0= Without Latch  
L= With Latch



Lead Free Process      RoHS Compliant

⑥	Sun	3/11-16'	ECRT116009/ECNT116035		DATE	UNIT: mm / inch	TITLE: 1.27mm Pitch Female Top entry DIP Type Connector	 瀚荃股份有限公司 CviLux Corporation
⑤	Sandy	12/20-07	ECN07540	DRAWN BY: Sun	3/14-16'	TOLERANCE UNLESS OTHERWISE SPECIFIED	MATERIAL:	
④	Sandy	11/20-07	ECN07473/ECRO7081-1	ENGINEER: Sun	3/14-16'	.X ± 0.3/012    X' ± 1'	FINISH:	DRAWING NO. CA3202SG    PART NO. CA32**V13**
③	Sandy	10/04-07	ECN07378	CHECKED BY: Eisley	3/15-16'	.XX ± 0.2/008    .X' ±		SCALE 4 / 1    SHEET 1 OF 2
SYM	NAME	DATE	REVISIONS	APPROVED BY: Eisley	3/15-16'	.XXX ± 0.1/004    .XX' ±		



CVILUX CORP  
 2016.03.17  
 ISSUED



Circuits	Dimension				
	A	B	W1	W2	W3
4	11.0(.433)	6.0(.236)	13.0(.512)	23.0(.906)	13.0(.512)
6	17.0(.669)	6.0(.236)	18.0(.709)	28.0(1.102)	18.0(.709)
8	17.0(.669)	6.0(.236)	18.0(.709)	28.0(1.102)	18.0(.709)
10	21.0(.827)	6.0(.236)	22.0(.866)	32.0(1.260)	22.0(.866)
12	21.0(.827)	6.0(.236)	22.0(.866)	32.0(1.260)	22.0(.866)
14	24.0(.945)	6.0(.236)	25.0(.984)	35.0(1.378)	25.0(.984)
16	29.0(1.142)	6.0(.236)	30.0(1.181)	40.0(1.575)	30.0(1.181)
18	29.0(1.142)	6.0(.236)	30.0(1.181)	40.0(1.575)	30.0(1.181)
20	32.0(1.260)	6.0(.236)	33.0(1.299)	43.0(1.693)	33.0(1.299)
22	36.0(1.417)	6.0(.236)	37.0(1.457)	47.0(1.850)	37.0(1.457)
24	36.0(1.417)	6.0(.236)	37.0(1.457)	47.0(1.850)	37.0(1.457)
26	39.0(1.535)	6.0(.236)	40.0(1.575)	50.0(1.969)	40.0(1.575)

\* Quantity : 2500 PCS/Reel/Caton

RoHS Compliant

6	Sun	3/11-16'	ECRT116009/ECNT116035		DATE	UNIT: mm / inch	TITLE: TAPE & REEL PACKAGING FOR CA32 SERIES SMT TYPE	 瀚荃股份有限公司 CviLux Corporation		
5	Sandy	12/20-07	ECN07540		DATE	TOLERANCE UNLESS OTHERWISE SPECIFIED			MATERIAL:	
4	Sandy	11/20-07	ECN07473/ECR07081-1		ENGINEER:	.X ±	X' ± 1'	DRAWING NO. CA3202SG		PART NO. CA32**V13**
3	Sandy	10/04-07	ECN07378		CHECKED BY:	Eisley	3/15-16'		.XX ±	
SYM	NAME	DATE	REVISIONS	APPROVED BY:	Eisley	3/15-16'	.XXX ±	.XX' ±	SCALE	SHEET 2 OF 2