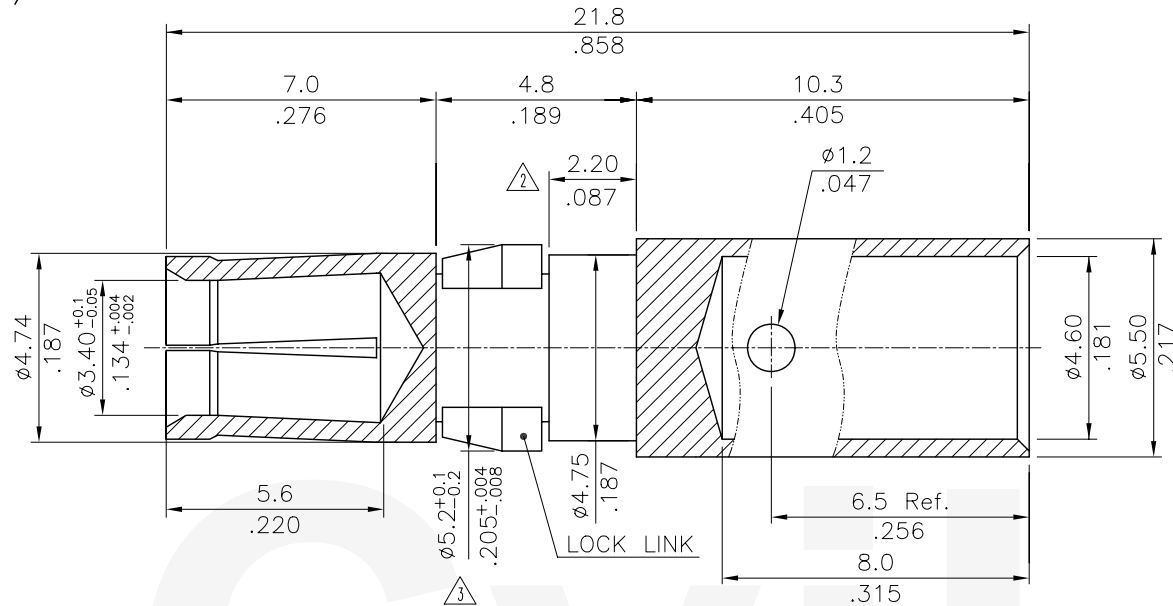


P/N: CHPTSC*4000



MATERIAL:

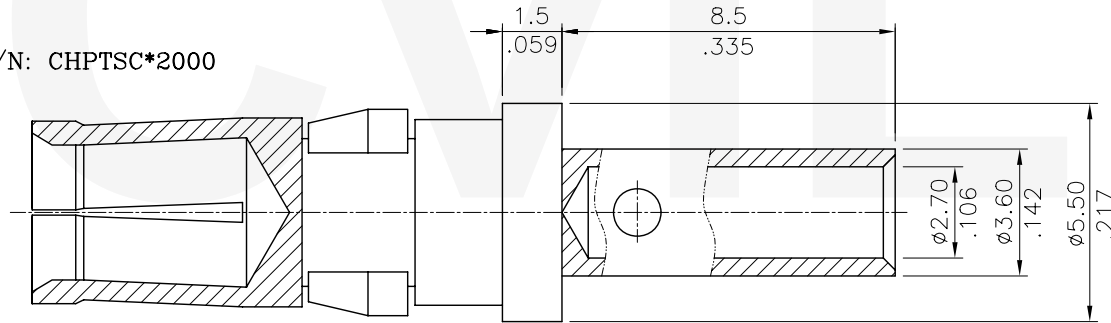
- * CONTACT : BRASS WITH GOLD PLATED
- * LOCK LINK : BRASS WITH NICKEL PLATED

Ordering Code

CHPT S C * ** 00
 ① ② ③ ④ ⑤ ⑥

- ① Series No.
- ② Connector Type: S= Socket (Female)
- ③ Terminal tail style: C= Crimp Type
- ④ Contact Plating:
 - 2= Gold Flash plated over 1.27 μ m (50 μ m) Nickel
 - 3= 0.38 μ m (15 μ m) Gold plated over 1.27 μ m (50 μ m) Nickel
 - 4= 0.76 μ m (30 μ m) Gold plated over 1.27 μ m (50 μ m) Nickel
 - 5= 1.27 μ m (50 μ m) Gold plated over 1.27 μ m (50 μ m) Nickel
- ⑤ Current Rating:
 - 20= 20Amps ; 40= 40Amps
- ⑥ Option: 00= Standard

P/N: CHPTSC*2000



RoHS Compliant

④						DATE	UNIT: mm / inch	TITLE: STRAIGHT DIP TYPE HIGH POWER SOCKET TERMINAL	 瀚荃股份有限公司 CviLux Corporation	
③	Karen	9/28-09'	ECN09443/ECR09105-0		DRAWN BY:	Karen	9/30-09'	TOLERANCE UNLESS OTHERWISE SPECIFIED		MATERIAL:
②	Sandy	5/20-09'	ECN09254		ENGINEER:	Eisley	10/5-09'	.X ± 0.10/.004 X' ± r'		
①	Sandy	7/2-07'	ECN07256/ECR07037-1		CHECKED BY:	David	10/5-09'	.XX ± 0.05/.002 .X' ±	FINISH:	
SYM	NAME	DATE	REVISIONS		APPROVED BY:	Alex	10/5-09'	.XXX ± .XX' ±		DRAWING NO. CHPT14SG PART NO. CHPTSC**000
									SCALE 5 / 1 SHEET 1 OF 1	