

Material:

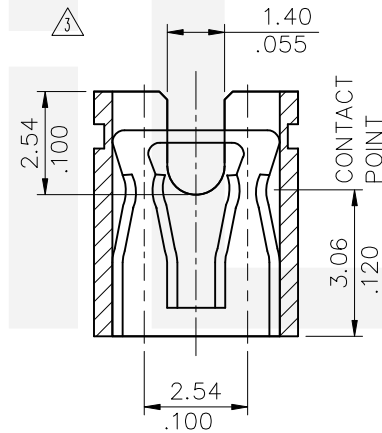
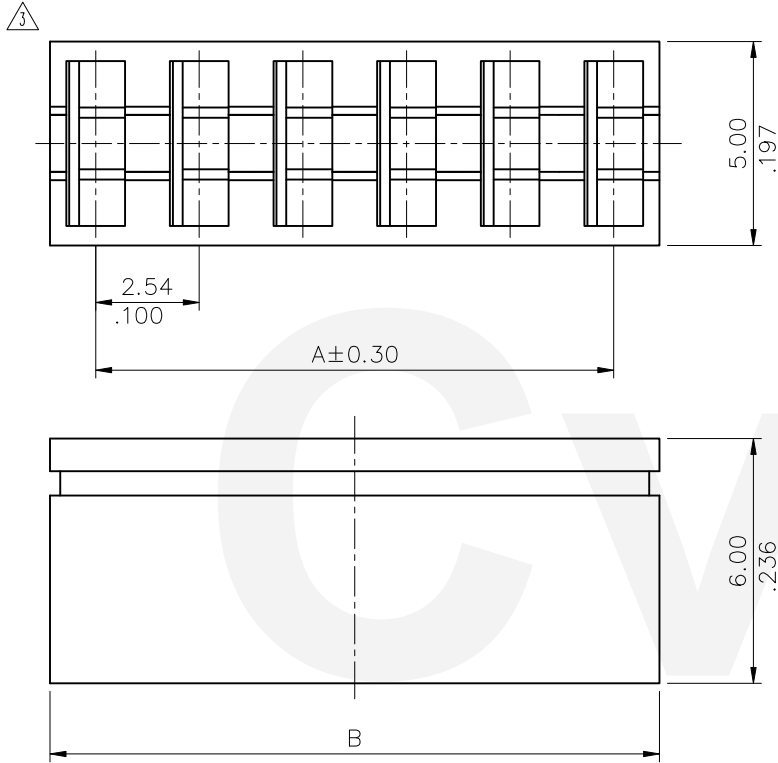
\* Insulation: PBT or Nylon 9T UL 94V-0

△ \* Contact: Brass

### Ordering Code

CS02    \*\*    \*    \*000  
 ①    ②    ③    ④

- ① Series No.
- ② No. of Poles : 2,3,5,6,8
- ③ Plating Code :  
     2= Gold flash plated over  
     1.27 $\mu$ m(50 $\mu$ "") Nickel
- ④ Option : 0000= Color Black(PBT)  
           A000= Color Black(Nylon 9T)



△ △

Poles	Dimension	
	A	B
2	2.54(.100)	4.78(.188)
3	5.08(.200)	7.32(.288)
5	10.16(.400)	12.40(.488)
6	12.70(.500)	14.94(.588)
8	17.78(.700)	20.02(.788)

CVILUX  
 2019.12.19  
 ISSUED

RoHS Compliant

△4						DATE	UNIT: mm / inch	TITLE: 2.54MM(.100") MULTIPLE SHUNT	 瀚荃股份有限公司 CviLux Corporation	
△3	Yushu	11/26-19'	ECR119055/ECNT119330	DRAWN BY:	Yushu	12/4-19'	TOLERANCE UNLESS OTHERWISE SPECIFIED	MATERIAL:		
△2	Jim	1/8 07'	ECN07018	ENGINEER:	Sun	12/12-19'	.X ± 0.30/.012    .X' ± 1'	FINISH:		
△1	Jim	8/25 06'	ECR06065-0/ECN06263	CHECKED BY:	Eisley	12/12-19'	.XX ± 0.20/.008    .X' ±			
SYM	NAME	DATE	REVISIONS	APPROVED BY:	Eisley	12/12-19'	.XXX ±    .XX' ±	DRAWING NO. CS0201SC	PART NO. CS02****000	
									SCALE 5 / 1	SHEET 1 OF 1