

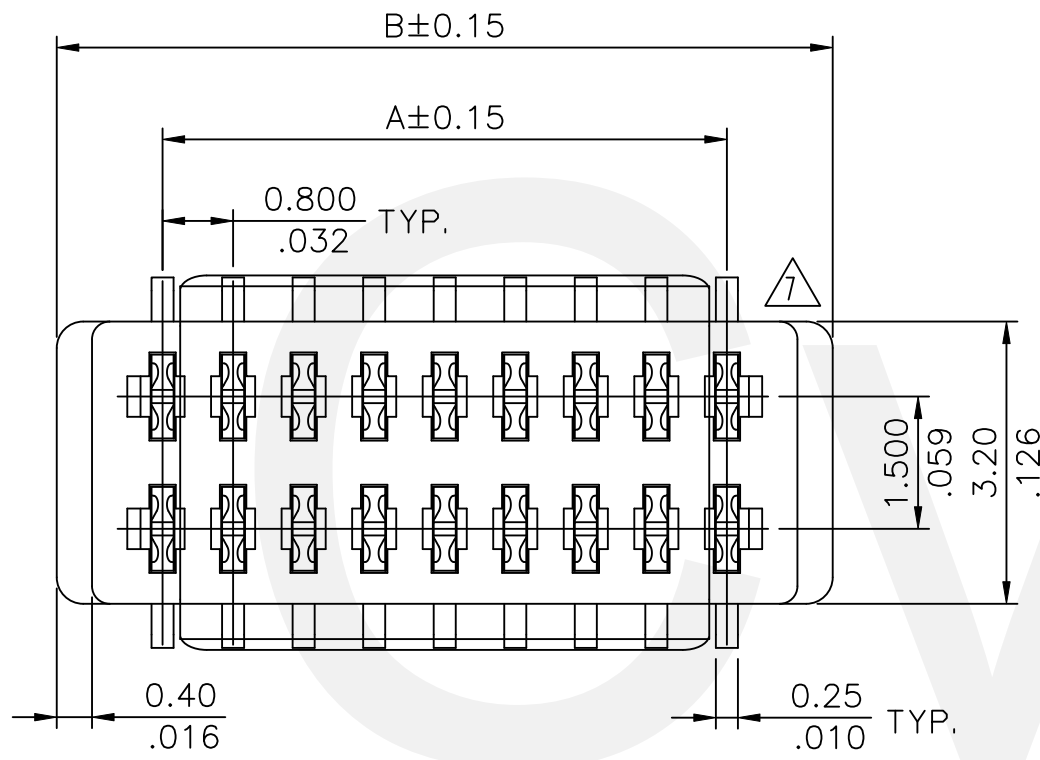
**Material:**

- \* Housing :NYLON 6T WITH 30% GF. UL 94V-0 Color Black
- \* Contact: Phosphor Bronze
- \* Pick & Place Pad: Phosphor Bronze

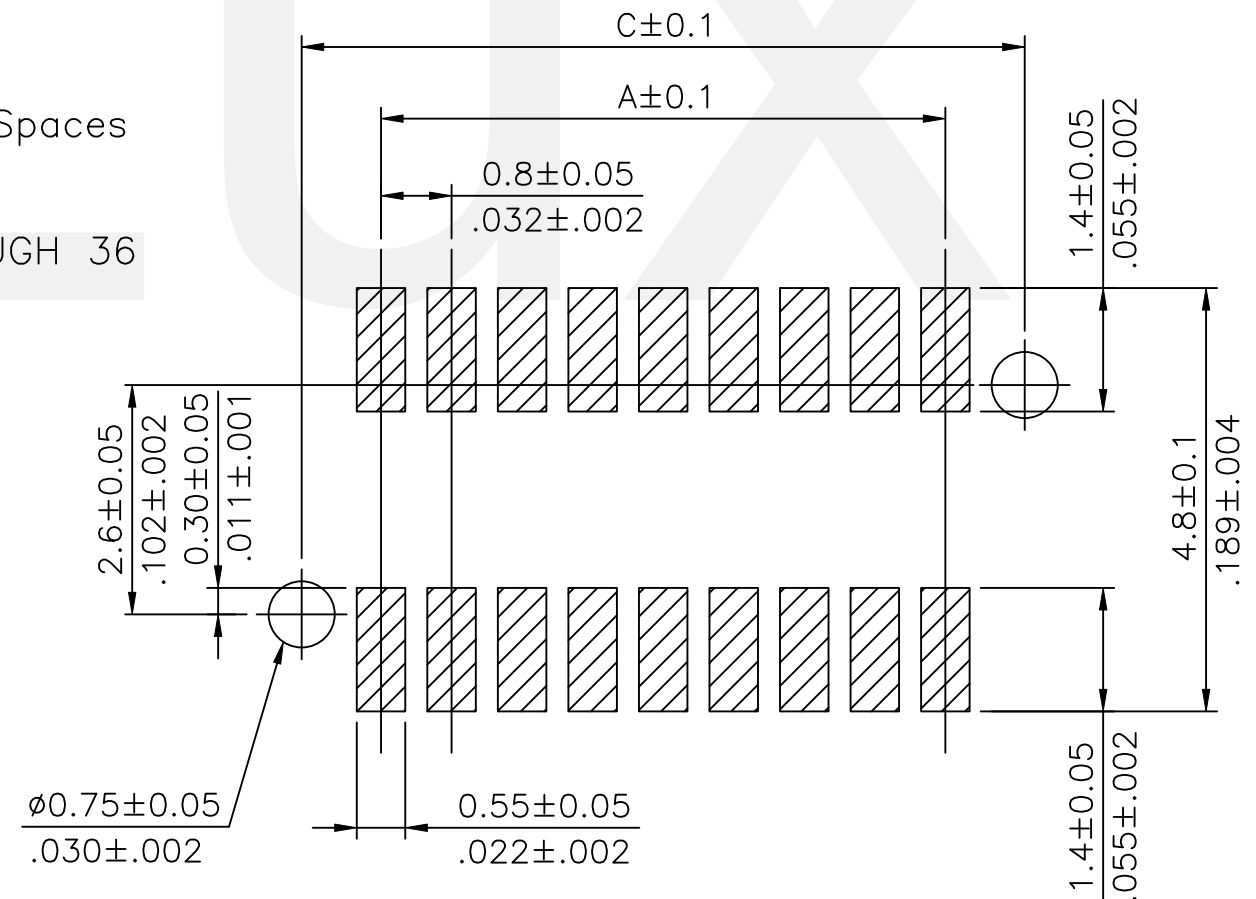
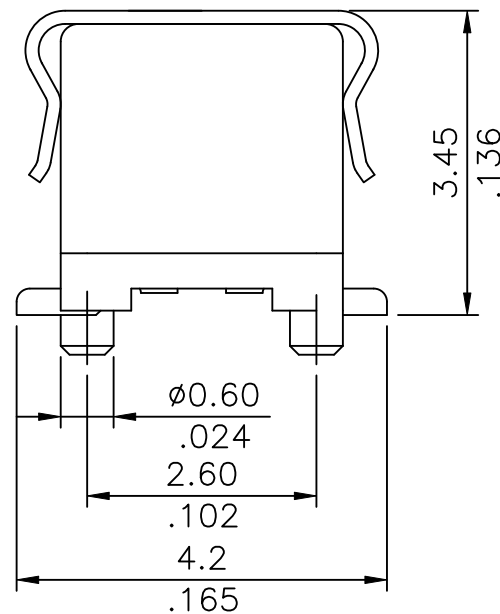
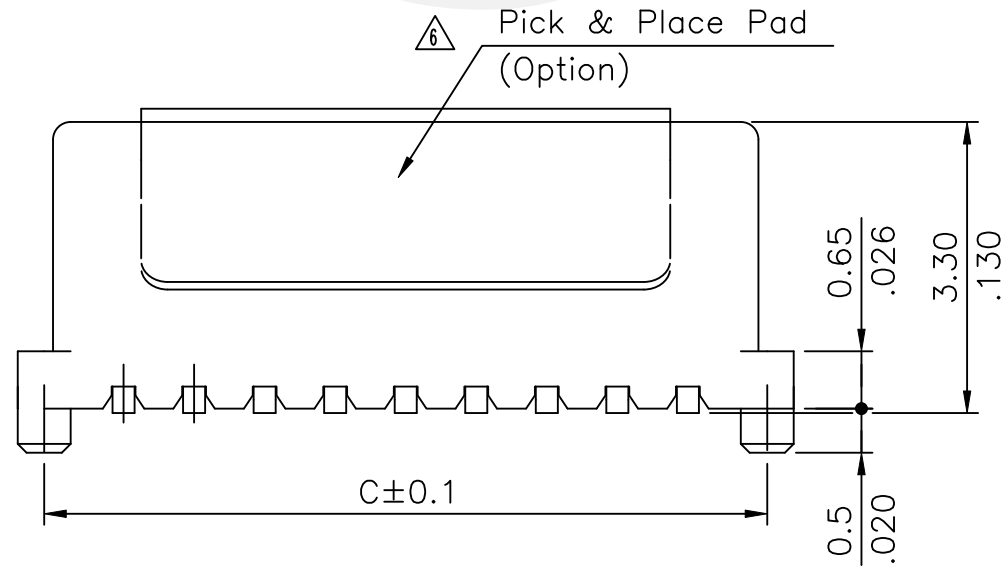
**Ordering Code**

CBC3 \*\* \* M 1 R 0  
 ① ② ③ ④ ⑤ ⑥ ⑦

1. Series No.
2. Contacts : 06 to 36
- △ 3. Plating : 1= 120μ" Min. Tin plated over 30μ" Nickel  
 2= Gold flash plated over 1.27μm(50μ") Nickel  
 4= 0.76μm(30μ") Gold plated over 1.27μm(50μ") Nickel  
 A= Selective Gold flash plated over Nickel
4. Tail Style : M= SMT Type
5. Color : 1= Black
6. Packing : R= Tape & Reel (With Pick & Place Pad)
7. Other Option : 0= Standard  
 N= Without Pick & Place Pad




DIM A = 0.8 X No. of Spaces  
 DIM B = DIM A + 2.4  
 DIM C = DIM A + 1.8  
 \* AVAILABLE IN 6 THROUGH 36  
 CIRCUITS

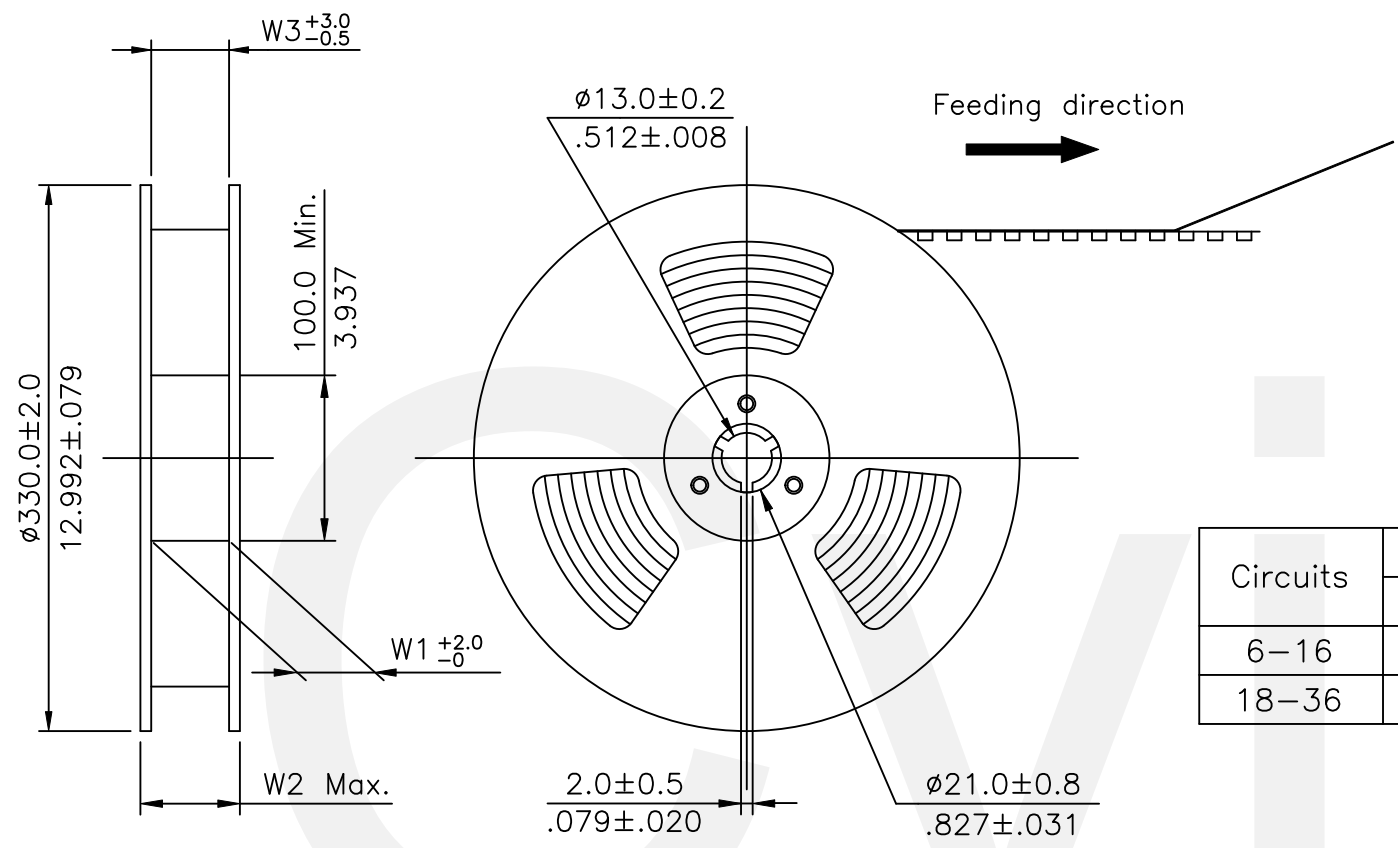


Recommended P.C. Board Layout

RoHS Compliant

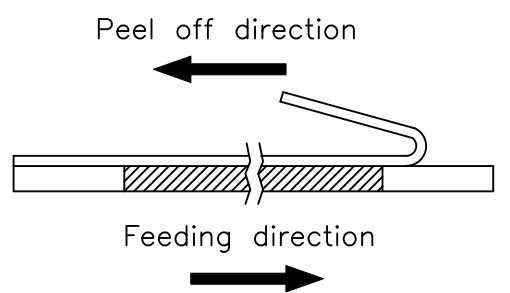
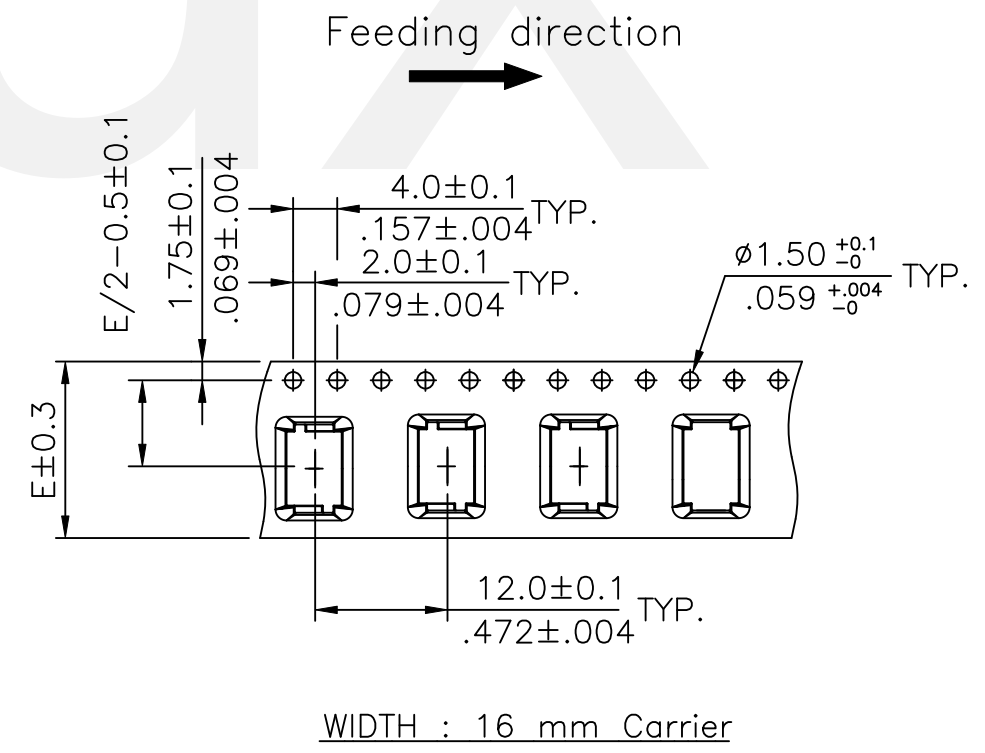
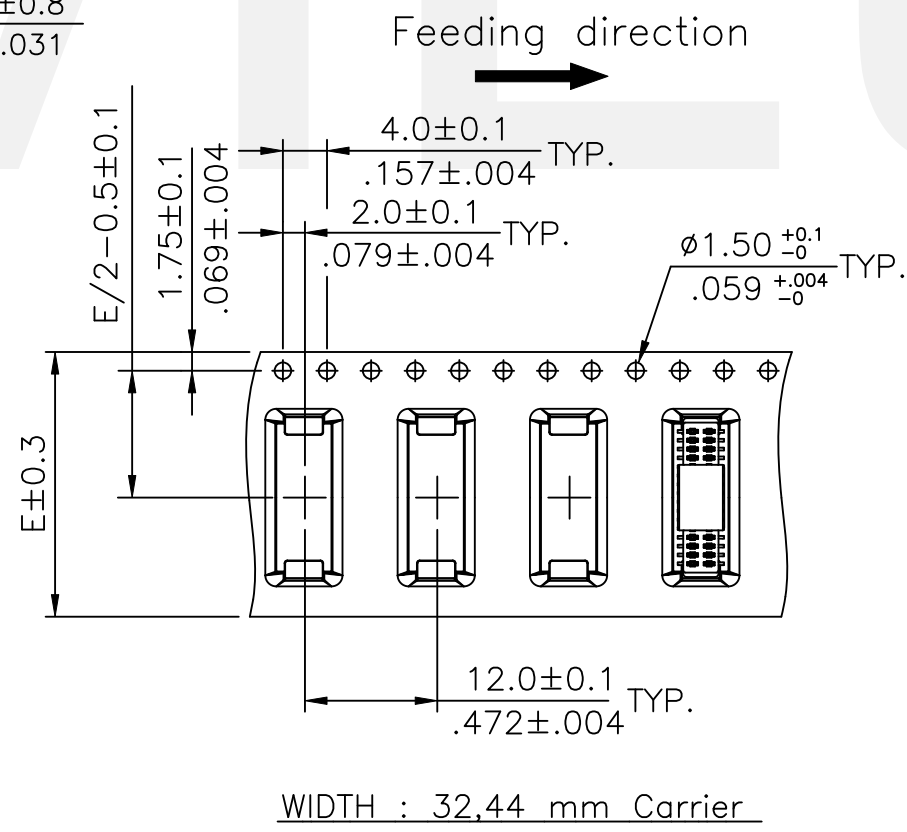
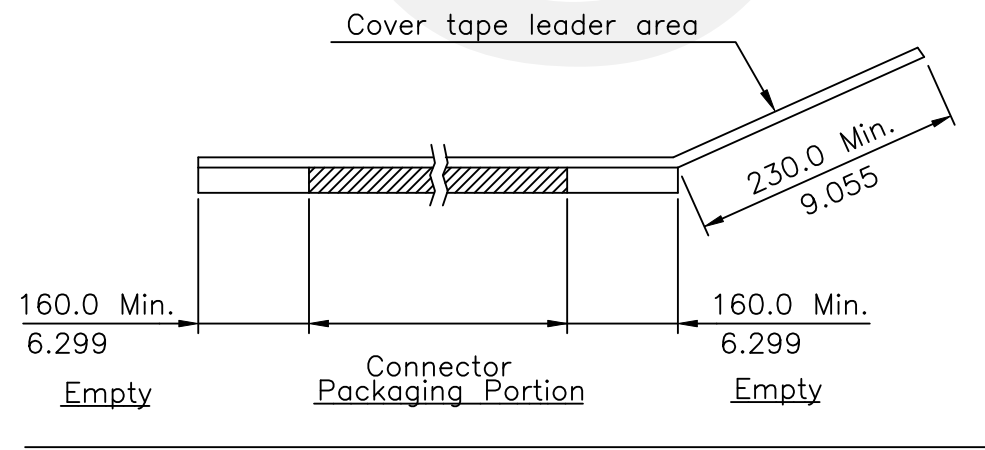
⑧	Wayne	9/13-24'	ECNT123179/ECRB123029		DATE	UNIT: mm / inch	TITLE: 0.80x1.50mm(.032"x.059")	 瀚荃股份有限公司 CviLux Corporation
⑦	Karen	9/08-22'	ECNT122203/ECRT122040	DRAWN BY: Wayne	9/13-24'	TOLERANCE UNLESS OTHERWISE SPECIFIED	SMT TYPE SOCKET	
⑥	Sun	1/13-20'	ECRH119072/ECNT120015	ENGINEER: Sun	9/13-24'	.X ± 0.25/.010 X* ± 1'	MATERIAL:	
⑤	Erin	4/10-12'	ECN11229	CHECKED BY: Eisley	9/13-24'	.XX ± 0.15/.006 X* ±	FINISH:	
SYM	NAME	DATE	REVISIONS	APPROVED BY: Eisley	9/13-24'	.XXX ± 0.08/.003 XX* ±	DRAWING NO. CBC301SI	PART NO. CBC3***M1R*
							SCALE 8 / 1	SHEET 1 OF 2

CviLux Corp  
 2024/09/26  
 ISSUED




- NOTE :
- △ 8 \* Reel Material : HIPS
  - △ 5 \* Carrier Material : Black, Conductive Polystyrene Alloy
  - \* Cover Tape Material : Polyester
  - \* Cover Tape Peel Strength : 0.1N – 1.3N
  - \* Carrier camber is within 1mm in 100mm
  - \* All dimensions meet EIA-481-B requirements.
  - \* Quantity : 1000 PCS/Reel

Circuits	Dimension					Packing (Reel/Carton)
	E	F	W1	W2	W3	
6-16	16.0(.630)	-	16.5(.650)	22.5(.886)	16.5(.650)	11
18-36	24.0(.945)	-	24.5(.965)	30.5(1.200)	24.5(.965)	9



RoHS Compliant

△ 8	Wayne	9/13-24'	ECNT123179/ECRB123029		DATE	UNIT: mm / inch	TITLE: 0.80x1.50mm(.032"x.059") SMT TYPE SOCKET	 瀚荃股份有限公司 CviLux Corporation
△ 7	Karen	9/08-22'	ECNT122203/ECRT122040	DRAWN BY: Wayne	9/13-24'	TOLERANCE UNLESS OTHERWISE SPECIFIED	MATERIAL:	
△ 6	Sun	1/13-20'	ECRH119072/ECNT120015	ENGINEER: Sun	9/13-24'	.X ±      X' ± 1'	FINISH:	
△ 5	Erin	4/10-12'	ECN11229	CHECKED BY: Eisley	9/13-24'	.XX ±     .X' ±		
SYM	NAME	DATE	REVISIONS	APPROVED BY: Eisley	9/13-24'	.XXX ±    .XX' ±		

CviLux Corp  
2024/09/26  
ISSUED

DRAWING NO.	CBC301SI	PART NO.	CBC3***M1R*
SCALE		SHEET	2 OF 2