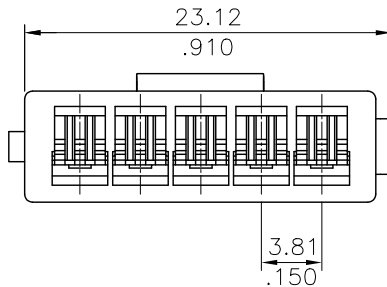
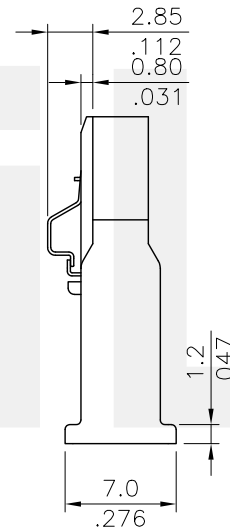
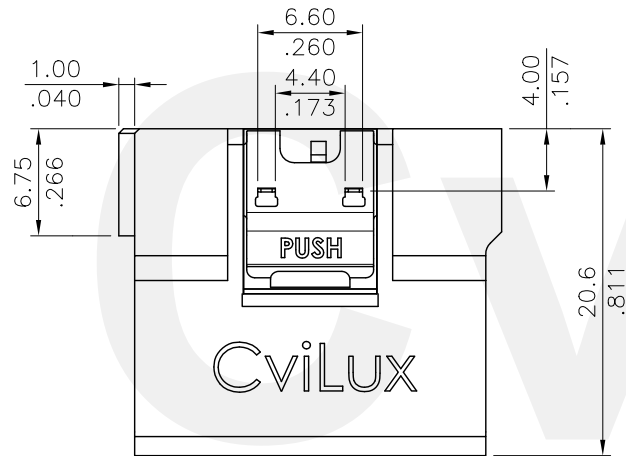
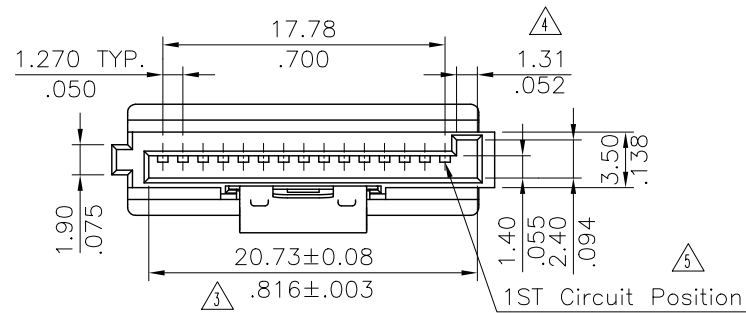


Material:

* Insulation: PBT + 30% GF. UL 94V-0

* Latch: Stainless Steel



Ordering Code:

CI94 P F 001 0L
 ① ② ③ ④ ⑤

- ① Series No.
- ② P= Power
- ③ F= Female
- ④ Color: 001= Black
- ⑤ Other option: 0L= With Latch

RoHS Compliant

⑤	Sandy	11/10-10'	ECN10365			DATE	UNIT: mm / inch	TITLE: SERIAL ATA POWER RECEPTACLE WITH LATCH HOUSING	 瀚荃股份有限公司 CviLux Corporation		
④	Hank	1/20/09'	ECN09030		DRAWN BY: Sandy	11/11-10'	TOLERANCE UNLESS OTHERWISE SPECIFIED	MATERIAL:		DRAWING NO. CI9417SF	PART NO. CI94PF0010L
③	Sandy	12/11-08'	ECN08607		ENGINEER: Clark	11/23-10'	.X ± 0.30/.012 X.* ± 1'	FINISH:		SCALE 2 / 1	SHEET 1 OF 1
②	Hank	3/13/08'	ECN08139		CHECKED BY: David	11/23-10'	.XX ± 0.20/.008 .X.* ±				
SYM	NAME	DATE	REVISIONS		APPROVED BY: David	11/23-10'	.XXX ± 0.10/0.04 .XX.* ±				