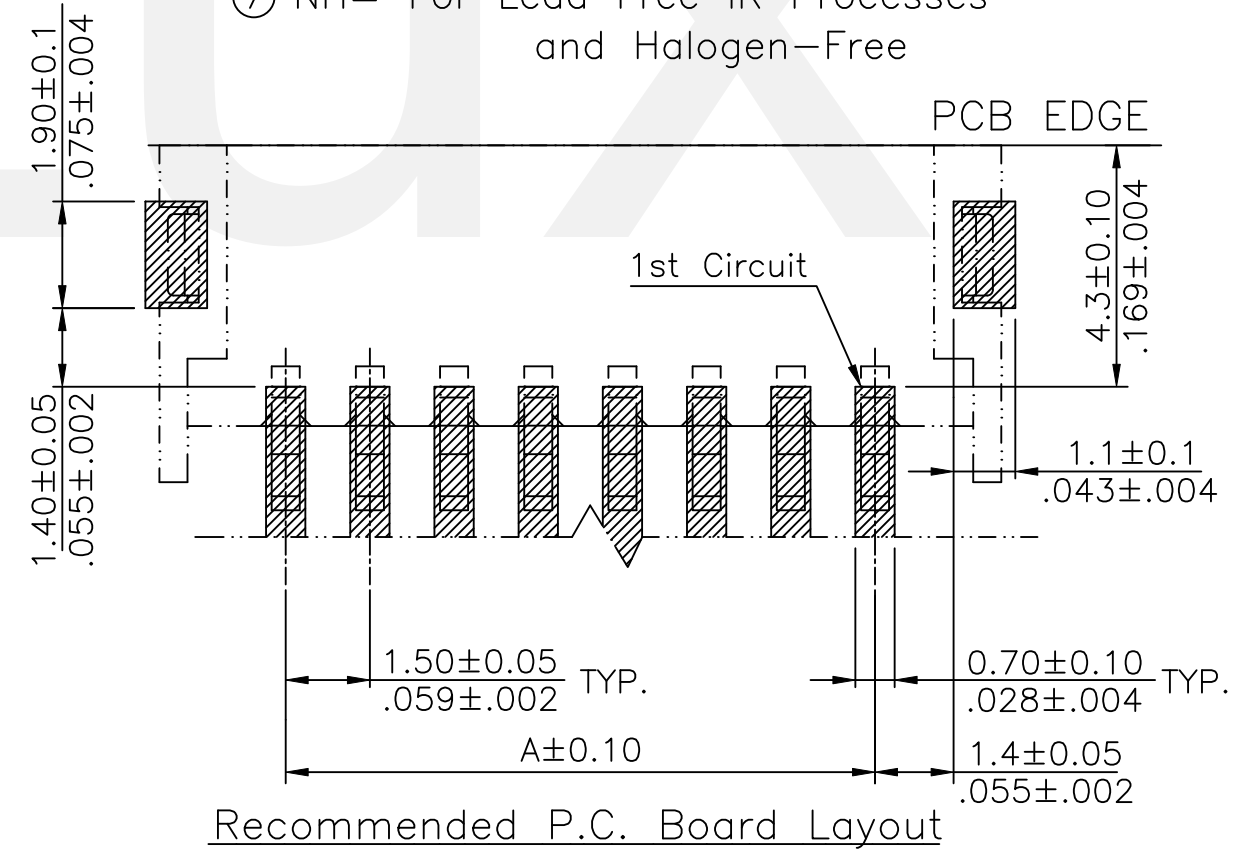
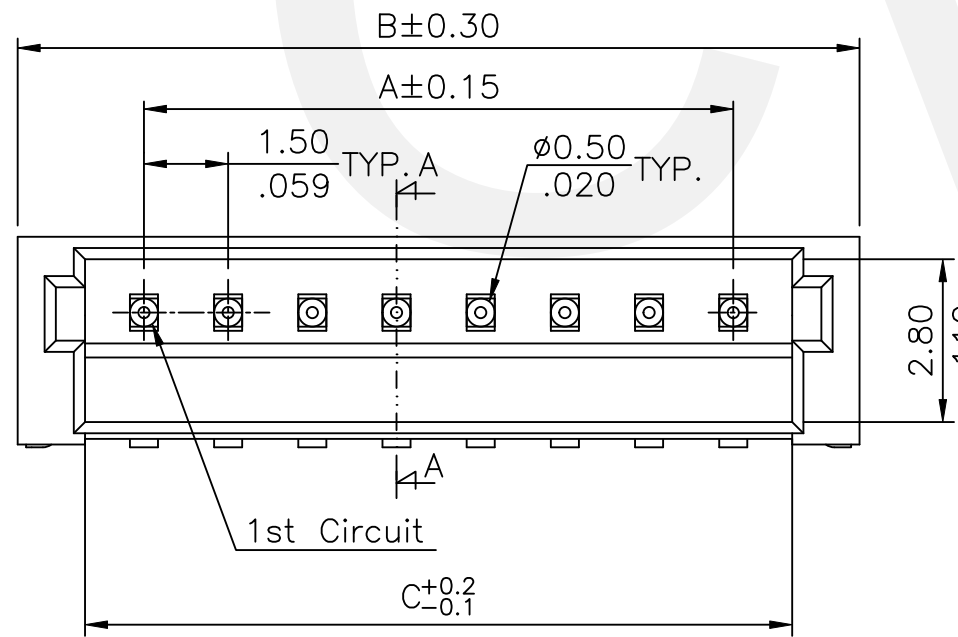
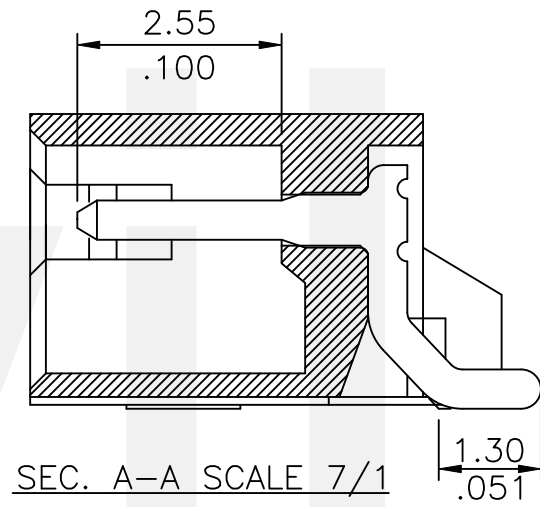
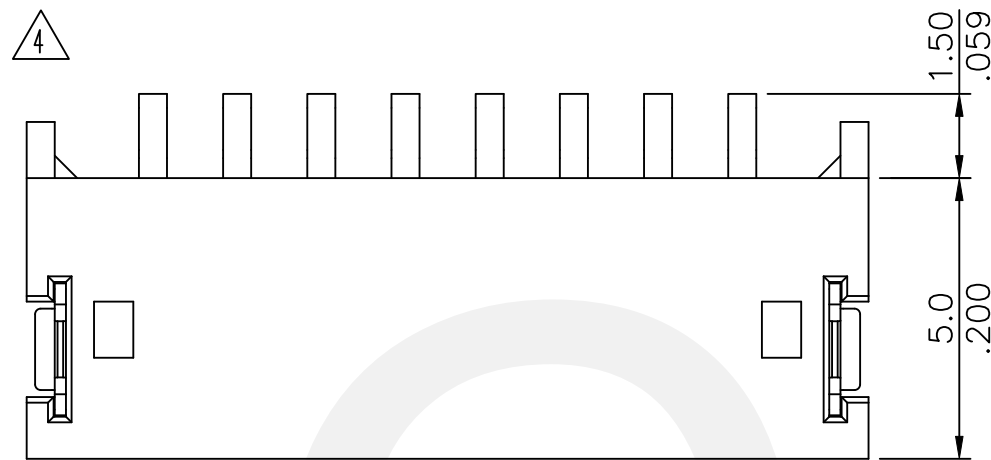


ORDERING CODE

CI15 ** M 1 H *0 -NH
 ① ② ③ ④ ⑤ ⑥ ⑦


- ① Series No.
- ② Contacts: 02 to 15
- ③ M= SMT type header
- ④ Plating:
 1= 100μ" Min. Tin Plated
 over 50μ" Nickel (Matte Tin Finish)
- ⑤ Type: H= Right angle
- ⑥ Other option:
 R0= Tape & reel packing (Standard)
 T0= Tube packing
- ⑦ NH= For Lead Free IR Processes
 and Halogen-Free

Material:
 Insulator: High temperature plastic
 UL 94V-0 ,Color Nature
 Contact: Brass with Matte Tin plated
 Tab: Brass with Matte Tin plated

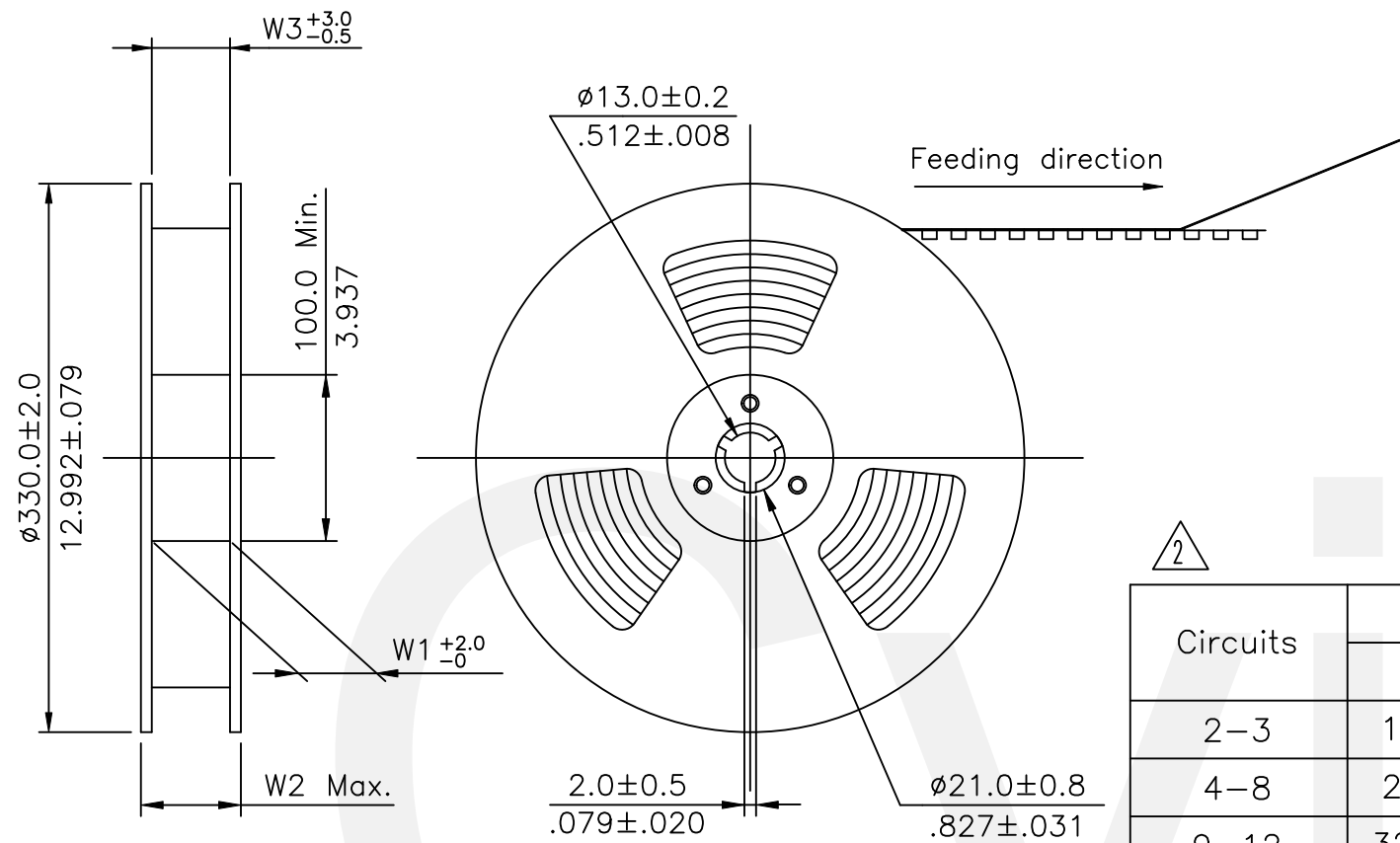


DIM. A = 1.50 x NO. OF SPACES
 DIM. B = DIM. A + 4.5
 DIM. C = DIM. A + 2.1
 * AVAILABLE IN 2 THROUGH 15 CIRCUITS

Halogen-Free Lead Free Process RoHS Compliant

△5	Amy	12/25-23'	ECNT123179/ECRB123029		DATE	UNIT: mm / inch	TITLE: 1.50MM(.059") Right Angle SMT Type Header	 瀚荃股份有限公司 CviLux Corporation	
△4	Yushu	9/11-19'	ECRQ119009/ECNT119310	DRAWN BY: Amy	12/25-23'	TOLERANCE UNLESS OTHERWISE SPECIFIED	MATERIAL:		
△3	Sun	7/05-16'	ECRH116023/ECNT116141	ENGINEER: Sun	12/25-23'	.X ± 0.30/.012 X' ± 1"	FINISH:		
△2	Enya	9/11-13'	ECNT113054/ECRH113002	CHECKED BY: Eisley	12/25-23'	.XX ± 0.20/.008 .X' ±	DRAWING NO. CI1527SF		
SYM	NAME	DATE	REVISIONS	APPROVED BY: Eisley	12/25-23'	.XXX ± 0.10/.004 .XX' ±	PART NO. CI15**M1H*0-NH		
								SCALE 5 / 1	SHEET 1 OF 2

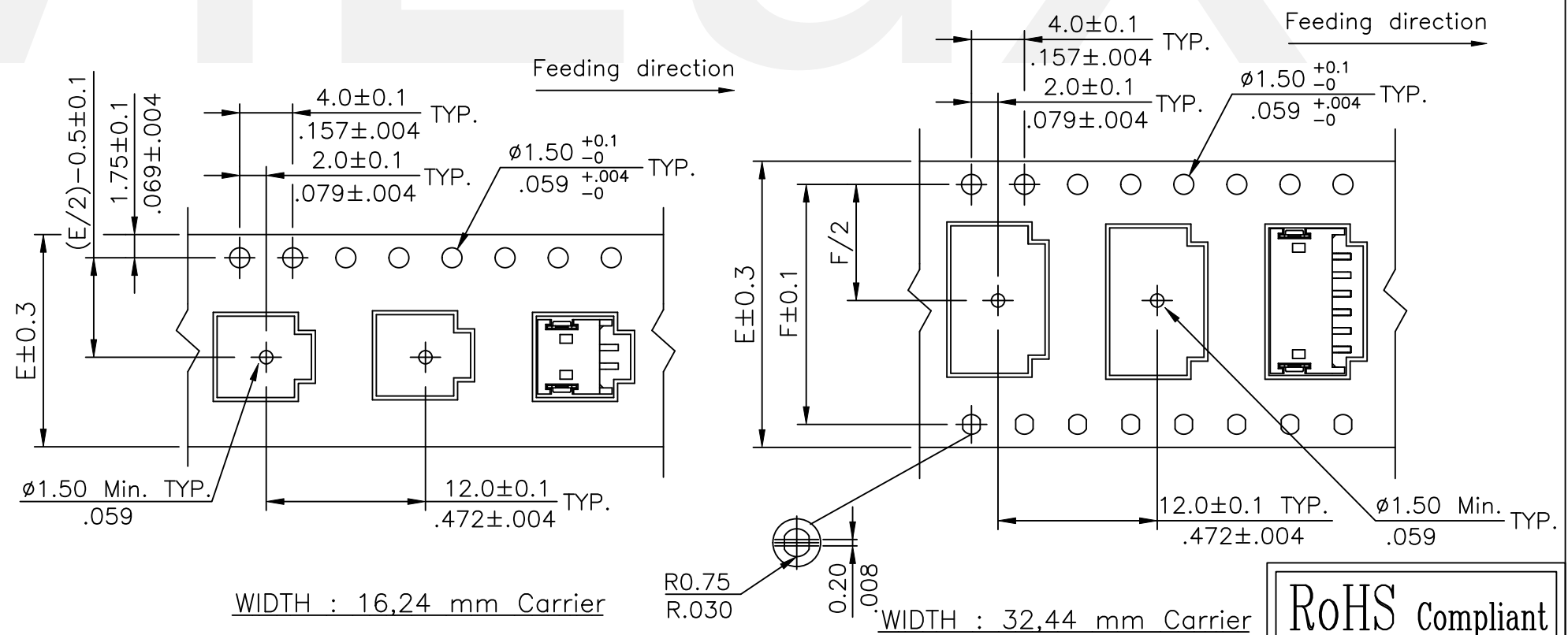
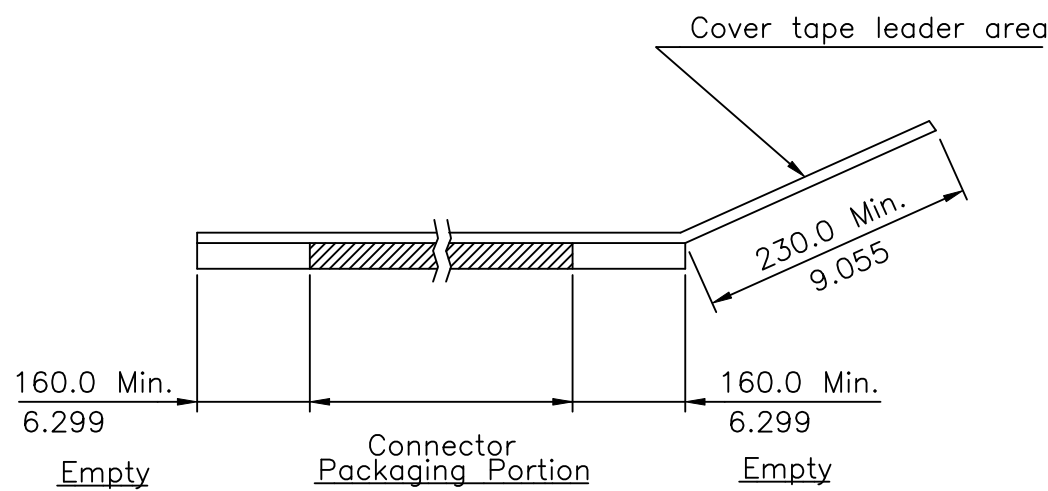
CviLux Corp
 2024/01/06
 ISSUED



NOTE :

- * Reel Material : HIPS
- * Carrier Material : Clear, Conductive Polystyrene Alloy
- * Cover Tape Material : Polyester
- * Cover Tape Peel Strength : 0.1N – 1.3N
- * Carrier camber is within 1mm in 100mm
- * All dimensions meet EIA-481 requirements.
- * Quantity : 1400 PCS/Reel


Circuits	Dimension					Packing (Reel/Carton)
	E	F	W1	W2	W3	
2-3	16.0(.630)	-----	16.5(.650)	22.5(.886)	16.5(.650)	11
4-8	24.0(.945)	-----	24.5(.965)	30.5(1.201)	24.5(.965)	9
9-12	32.0(1.260)	28.4(1.118)	32.5(1.280)	38.5(1.516)	32.5(1.280)	7
13-15	44.0(1.732)	40.4(1.596)	44.5(1.752)	50.5(1.988)	44.5(1.752)	5



WIDTH : 16,24 mm Carrier

WIDTH : 32,44 mm Carrier

RoHS Compliant

5	Amy	12/25-23'	ECNT123179/ECRB123029		DATE	UNIT: mm / inch	TITLE: 1.50MM(.059") Right Angle SMT Type Header	 瀚荃股份有限公司 CviLux Corporation
4	Yushu	9/11-19'	ECRQ119009/ECNT119310	DRAWN BY:	Amy	12/25-23'	MATERIAL:	
3	Sun	7/05-16'	ECRH116023/ECNT116141	ENGINEER:	Sun	12/25-23'	FINISH:	DRAWING NO. CI1527SF
2	Enya	9/11-13'	ECNT113054/ECRH113002	CHECKED BY:	Eisley	12/25-23'		PART NO. CI15**M1H*0-NH
SYM	NAME	DATE	REVISIONS	APPROVED BY:	Eisley	12/25-23'	SCALE	SHEET 2 OF 2

CviLux Corp
 2024/01/06
 ISSUED