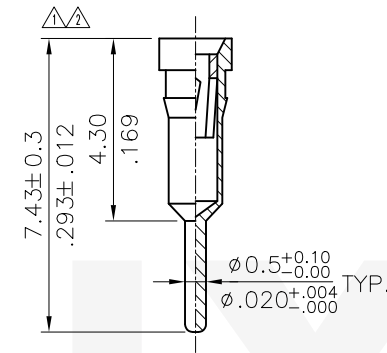
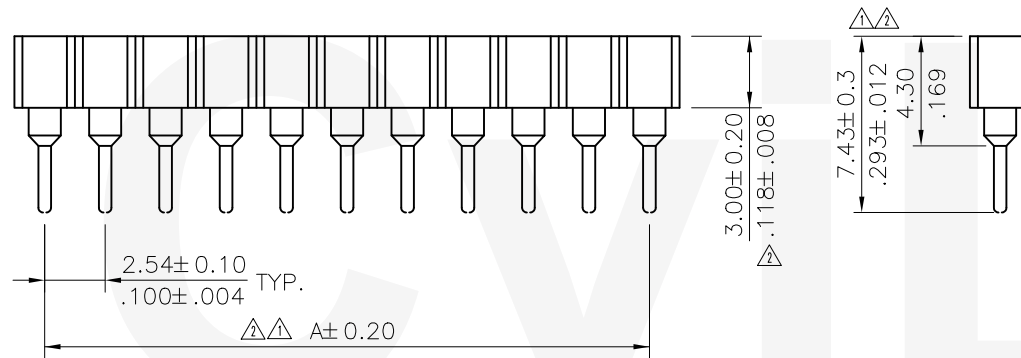
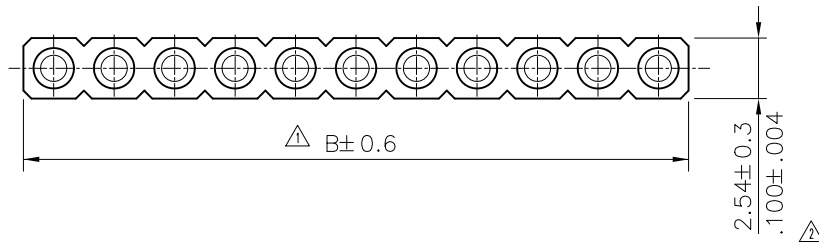


Material:

- \* Insulation: PPS UL 94V-0  
Color Black

\* Pin:

- Outer sleeve: Brass, machined
- Outer sleeve Plating: 200u" Tin Plated over 60~80u" Nickel
- Inner 4 finger contact: Beryllium Copper, heat treated
- Inner 4 finger contact Plating: Gold Flash plated



Pin detail

### Ordering Code

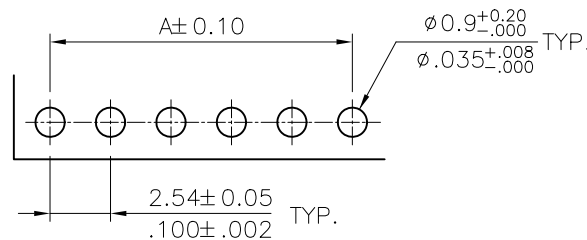
CS10    \*\*    D    1    000  
 ①       ②       ③       ④       ⑤

- ① Series No.
- ② Circuits:
- ③ Plating Code :  
D= Gold Flash plated over Nickel
- ④ Color : 1= Black
- ⑤ Option : 000= Standard

A = 2.54 \* No. of Spaces

B = A + 2.54

\* Available in 2 through 40 circuits



Recommended P.C. Board Layout

RoHS Compliant



4					DATE	UNIT: mm / inch	TITLE:	瀚荃股份有限公司 CviLux Corporation			
3				DRAWN BY:	Ken	TOLERANCE UNLESS OTHERWISE SPECIFIED	2.54MM(.100") SIP I.C. SOCKET				
2	Ken	1/28-16'	ECNT116299/ECRT116087	ENGINEER:	Sun	.X ± 0.20 / .008    X' ± 1"	MATERIAL:				
1	Enya	11/9-12'	ECN12274-0/ECR12086-0	CHECKED BY:	Eisley	.XX ± 0.15 / .006    .X ±	FINISH:				
SYM	NAME	DATE	REVISIONS	APPROVED BY:	Eisley	.XX ±					
								DRAWING NO.	CS1001SC	PART NO.	CS10**D1000
								SCALE	3 / 1	SHEET	1 OF 1