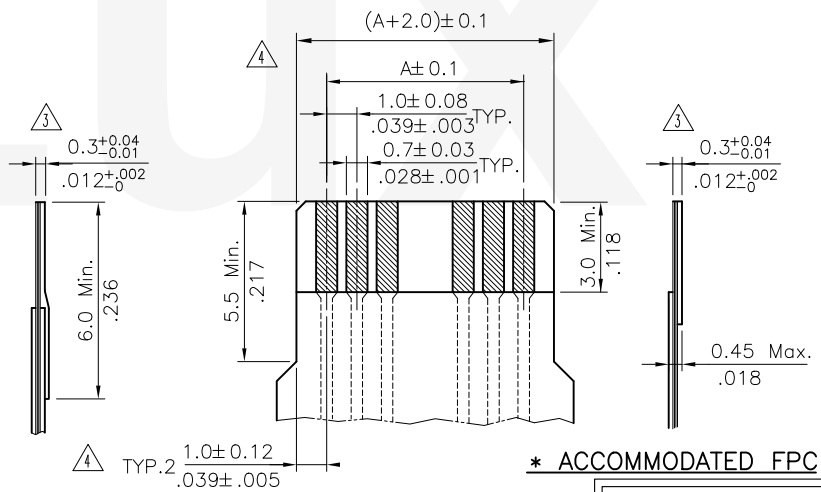
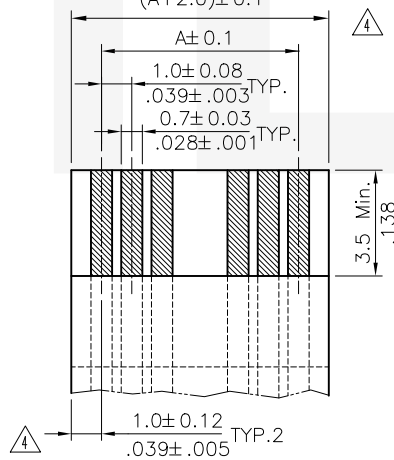
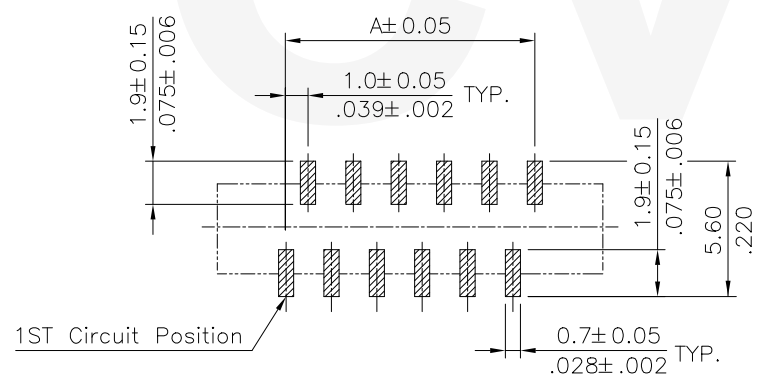
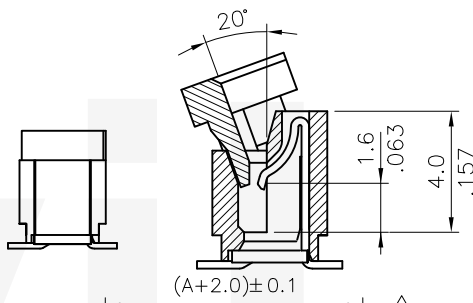
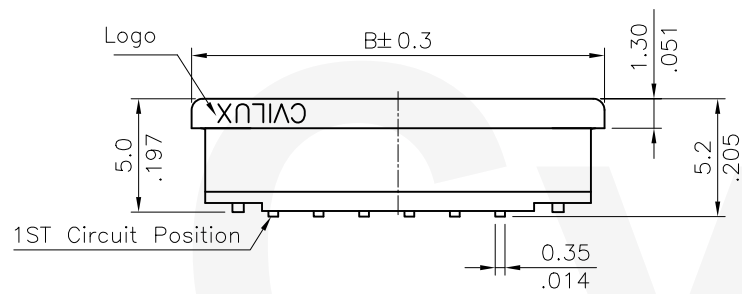


A = 1.00 \* No. of Spaces  
 B = A + 7.2  
 C = A + 2.1  
 \* Available in 4 through 32 circuits

Material:  
 \* Insulation: Nylon 6T UL 94V-0  
 Color Nature  
 \* Slider: Nylon 6T UL 94V-0, Color Brown  
 \* Contact: Phosphor Bronze

Ordering Code  
 CF10 \*\* 1 M 0 T 0  
 ① ② ③ ④ ⑤ ⑥ ⑦

- ① Series No.
- ② No. of Circuits
- ③ Plating code:  
 1= Matte Tin plated over Nickel
- ④ Contact type: M= SMT type
- ⑤ Insulation Color: 0= Nature
- ⑥ Packing : T= Tube Packaged
- ⑦ Other option: 0= Standard




Recommended P.C. Board Layout

\* ACCOMMODATED FFC

\* ACCOMMODATED FPC

RoHS Compliant

⑤	Karen	3/29-18'	ECNT118049/ECRB118006		DATE	UNIT: mm / inch	TITLE: 1.00mm(.039") SMT TYPE ZIF FFC/FPC CONNECTOR	 瀚荃股份有限公司 CviLux Corporation	DRAWING NO. CF1004SG	PART NO. CF10**1M0T0	
④	Bill	3/26-08'	ECR08027-0/ECN08145	DRAWN BY: Karen	3/29-18'	TOLERANCE UNLESS OTHERWISE SPECIFIED	MATERIAL:				SCALE 3 / 1
③	Sandy	9/22-07'	ECN07381/ECR07065-1	ENGINEER: Sun	3/30-18'	.X ± 0.15/.006 X' ± 1"	FINISH:				
②	Sun	10/27/05'	ECN05368	CHECKED BY: Easley	4/02-18'	.XX ± 0.10/.004 X ±					
SYM	NAME	DATE	REVISIONS	APPROVED BY: Easley	4/02-18'	.XXX ± 0.05/.002 XX ±					

CVILUX CORP  
 2018.04.12  
 ISSUED