

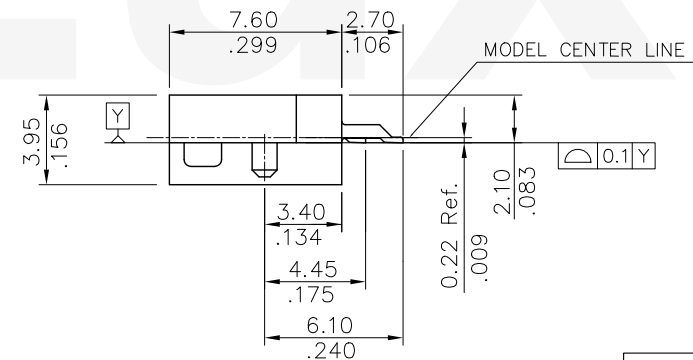
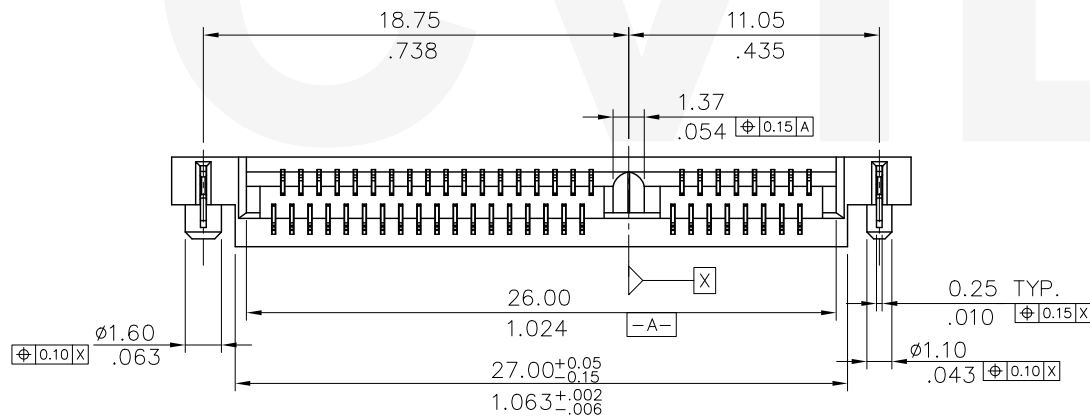
Material :

- * Insulator : Thermoplastic UL 94V-0
- * Contact : Phosphor Bronze
- * Pegs: Brass

Ordering Code:

CS60 052 A 1 M 0
 ① ② ③ ④ ⑤ ⑥

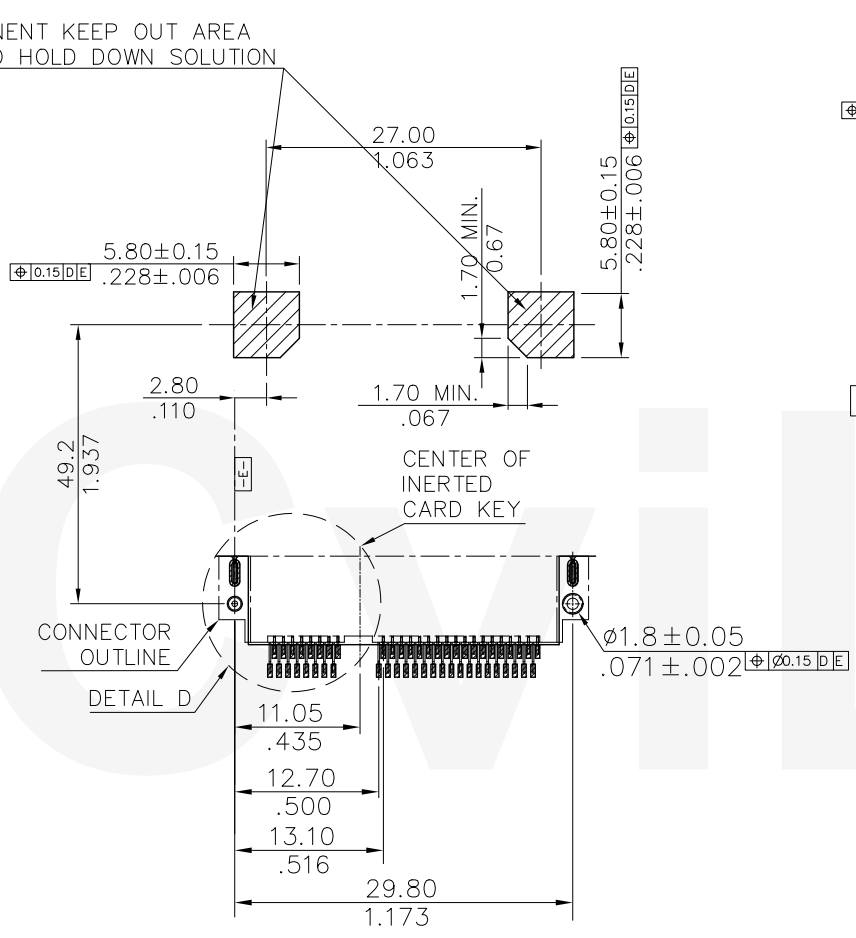
- ① Series No.
- ② No. of Circuits:
- ③ Plating option:
 A= Selective Gold flash plated over 1.27μm(50μ") Nickel
- ④ Color: 1= Black
- ⑤ Tail style:
 M= SMT Type
- ⑥ Option: 0= Standard



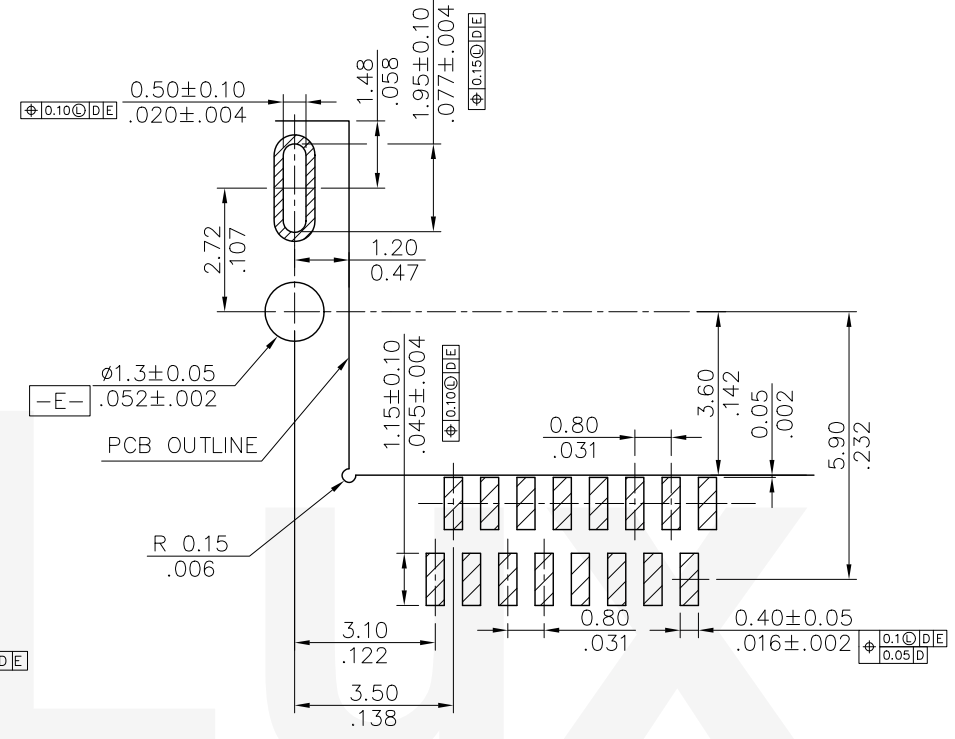
RoHS Compliant

4						DATE	UNIT: mm / inch	TITLE: 0.8MM PITCH MINI PCI 2.1H 52PIN CONNECTOR	 瀚荃股份有限公司 CviLux Corporation
3			DRAWN BY: Enya		9/20-12'	TOLERANCE UNLESS OTHERWISE SPECIFIED		MATERIAL:	
2			ENGINEER: Eisley		9/24-12'	.X ± 0.30/.012	X* ± r	CUSTOMER:	
1			CHECKED BY: Eisley		9/24-12'	.XX ± 0.20/.008	.X* ±	DRAWING NO. CS6001SA	PART NO. CS60052A1M0
SYM	NAME	DATE	REVISIONS		APPROVED BY: David	9/24-12'	.XXX ± 0.15/.006	.XX* ±	SCALE 3 / 1

COMPONENT KEEP OUT AREA
FOR CARD HOLD DOWN SOLUTION




SCALE 1.5:1



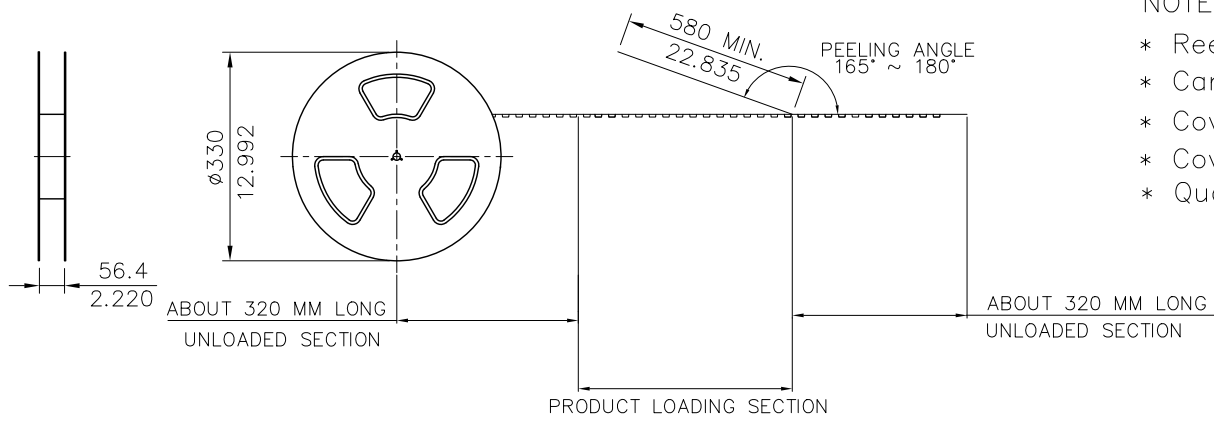
DETAIL D
SCALE 6:1

[-D-] IS THE TOP SURFACE OF PCB.
RECOMMENDED P.C. BOARD PATTERN LAYOUT

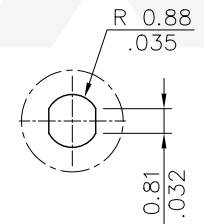
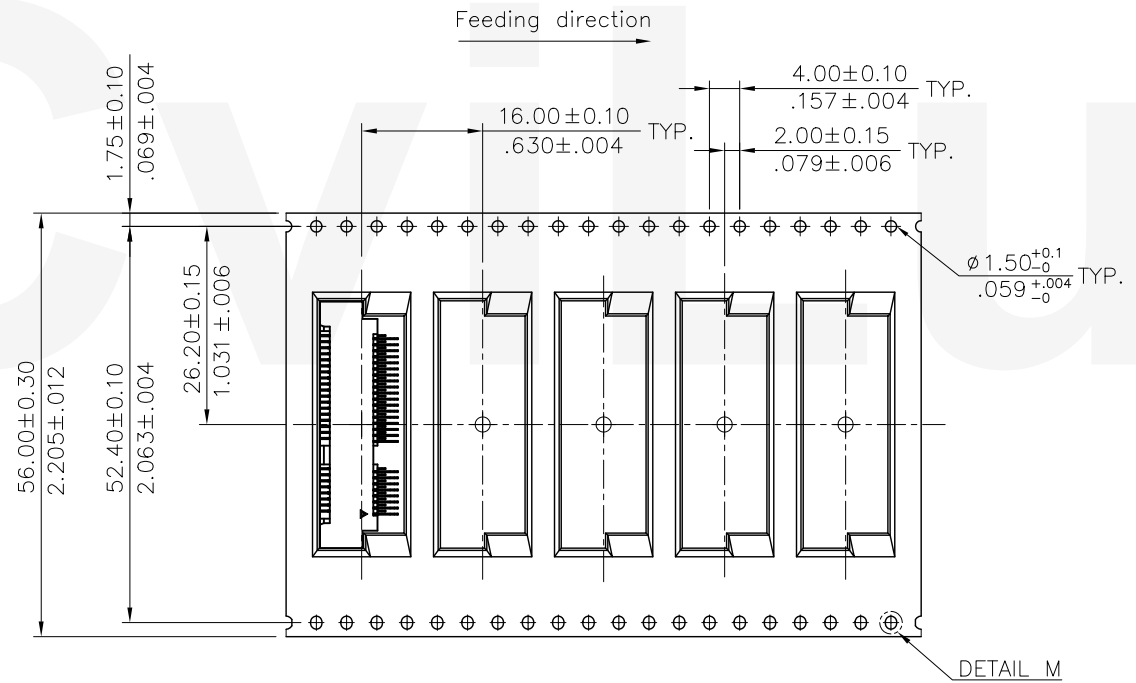
RoHS Compliant

4					DATE	UNIT: mm / inch	TITLE: 0.8MM PITCH MINI PCI 2.1H 52PIN CONNECTOR	 瀚荃股份有限公司 CviLux Corporation
3				DRAWN BY: Enya	9/20-12'	TOLERANCE UNLESS OTHERWISE SPECIFIED	MATERIAL:	
2				ENGINEER: Eisley	9/24-12'	.X ± 0.30/.012 X* ± 1'	CUSTOMER:	DRAWING NO. CS6001SA PART NO. CS60052A1M0
1				CHECKED BY: Eisley	9/24-12'	.XX ± 0.20/.008 .X* ±		SCALE
SYM	NAME	DATE	REVISIONS	APPROVED BY: David	9/24-12'	.XXX ± 0.15/.006 .XX* ±		


CVILUX CORP
2012.10.11
ISSUED



- NOTE :
- * Reel Material : HIPS, Color Blue
 - * Carrier Material : Polystyrenes, Color Transparent
 - * Cover Tape Material : PET, Color Transparent
 - * Cover Tape Peel Strength : 0.1N – 1.3N
 - * Quantity : 900 PCS/Reel



RoHS Compliant

4					DATE	UNIT: mm / inch	TITLE: 0.8MM PITCH MINI PCI 2.1H 52PIN CONNECTOR	 瀚荃股份有限公司 CviLux Corporation
3				DRAWN BY: Enya	9/20-12'	TOLERANCE UNLESS OTHERWISE SPECIFIED	MATERIAL:	
2				ENGINEER: Eisley	9/24-12'	.X ± 0.30/.012 X* ± 1'	CUSTOMER:	DRAWING NO. CS6001SA PART NO. CS60052A1M0
1				CHECKED BY: Eisley	9/24-12'	.XX ± 0.20/.008 .X* ±		SCALE
SYM	NAME	DATE	REVISIONS	APPROVED BY: David	9/24-12'	.XXX ± 0.15/.006 .XX* ±		

CIVILUX CORP
 2012.10.11
 ISSUED