

Material:

\* Insulator: Glass filled polyester UL 94V-0

\* Contact: Brass

△ \* Shell: Steel, Nickel plated as standard

Recommended P.C. Board Layout see drawing No. CD5303S\*

Ordering Code:

CD54 25 S 2 1 00  
 ① ② ③ ④ ⑤ ⑥

① Series No.

② Contacts

③ Contact type: S= Socket (Female)

④ Plating option:

2= Gold flash plated over 1.27μm(50μ") Nickel

A= Selective Gold flash plated over 1.27μm(50μ) Nickel

B= Selective 0.38μm(15μ") Gold plated over 1.27μm(50μ") Nickel

C= Selective 0.76μm(30μ") Gold plated over 1.27μm(50μ") Nickel

⑤ Color: 1= Black

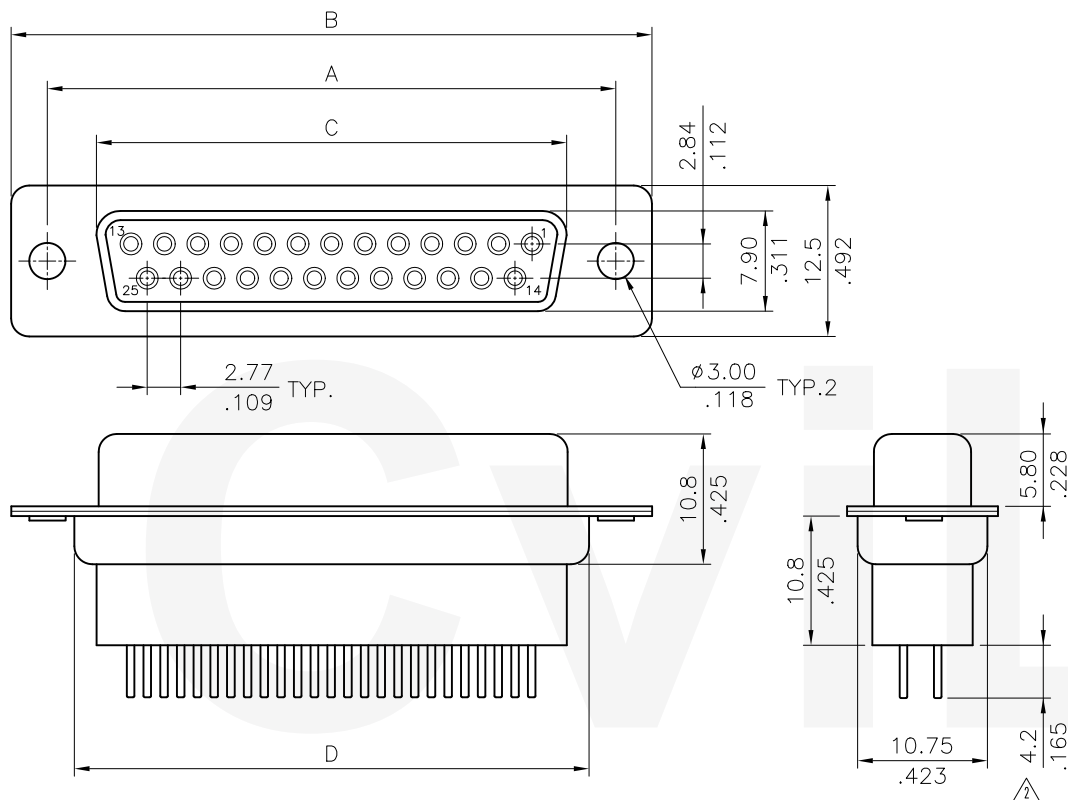
⑥ Other Option:

△ 00 = With ø3.00mm holes on shell(Standard)

B0 = Riveted #4-40 UNC open nuts on front shell

C0 = Riveted #4-40 UNC open nuts on rear shell

D0 = Riveted #4-40 UNC close ground stand-off on rear shell



Circuits	Dimension			
	A	B	C	D
9	25.00(.984)	30.8(1.213)	16.30(.642)	19.20(.756)
15	33.32(1.312)	39.2(1.543)	24.60(.969)	27.70(1.091)
25	47.04(1.852)	53.1(2.091)	38.30(1.508)	41.10(1.618)
37	63.50(2.500)	69.4(2.732)	54.80(2.157)	57.30(2.256)

Lead Free Process  
 RoHS Compliant

Mounting Style							
Code	00	Code	B0	Code	C0	Code	D0
			DIM. L= 4.0mm		DIM. L= 4.0mm		DIM. L=10.7mm

△4	Ken	3/15-18'	ECRT117079/ECNT118047		DATE	UNIT: mm / inch	TITLE:	瀚荃股份有限公司 CviLux Corporation
△3	Sandy	3/25-10'	ECN10079	DRAWN BY: Ken	3/15-18'	TOLERANCE UNLESS OTHERWISE SPECIFIED	D-SUB TOP ENTRY HIGH PROFILE BOARD MOUNT FEMALE CONNECTOR	
△2	Karen	3/25-09'	ECN09153/ECR09039-0	ENGINEER: Sun	3/16-18'	.X ±0.30/.012 X' ± 1'	MATERIAL:	
△1	Jessie	9/24-03'	ECN03310	CHECKED BY: Eisley	3/23-18'	.XX ±0.20/.008 .X' ±	FINISH:	
SYM	NAME	DATE	REVISIONS	APPROVED BY: Eisley	3/23-18'	.XXX ±0.10/.004 .XX' ±		

**CVILUX CORP**  
 2018.03.29  
 ISSUED

DRAWING NO.	CD5401SH	PART NO.	CD54**S*1**
SCALE	2 / 1	SHEET	1 OF 1