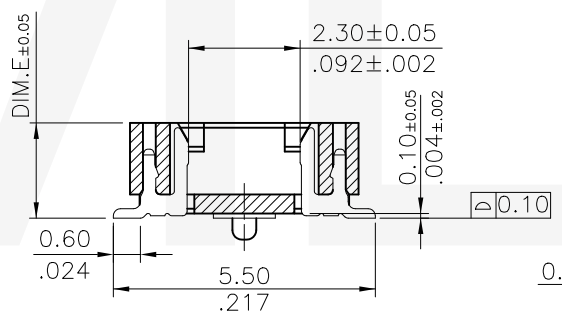


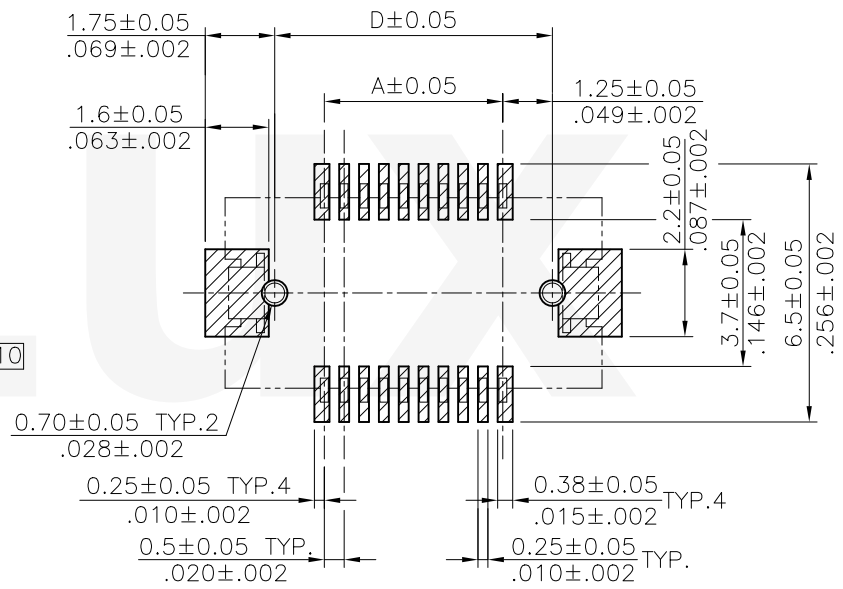
Ordering Code  
 CBRB 020 S A 2 F P1 R P -NH  
 ① ② ③ ④ ⑤ ⑥ ⑦ ⑧ ⑨ ⑩

- ① Series No.
- ② No. of Circuits
- ③ Connector Type: S=Receptacle
- ④ Height:  
 A: Dim.E= 2.0mm; B: Dim.E= 2.5mm  
 C: Dim.E= 3.0mm
- ⑤ Plating code:  
 2= 0.05um(2.0u") Min. Gold Flash  
 Plating on Contact area and  
 Solder tails, 1.27um(50u") Nickel  
 Underplating over all
- ⑥ Fixed Tab option:  
 0= Without Fixed Tabs  
 F= With Fixed Tabs

- Material:
- \* Insulation:  
 Glass filled Polyamide UL 94V-0  
 Color Black
  - \* Contact: Copper alloy, t=0.2mm
  - \* Fixed Tab: Brass, t=0.2mm
  - \* Tab plating : 120u" min. Matte Tin Plated  
 over 50u"min. Nickel
  - ⑦ Pegs Option:  
 00= Without Pegs  
 P1= With Pegs
  - ⑧ Packing Option:  
 R= Tape & Reel
  - ⑨ Other option code:  
 P= Without PAD
  - ⑩ -NH= For Lead Free IR Processes  
 and Halogen-Free



A-A SEC.



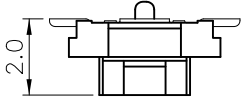
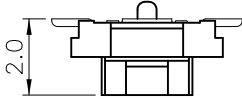
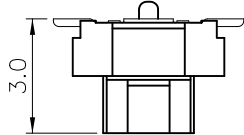
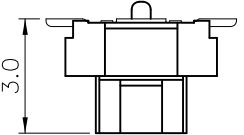
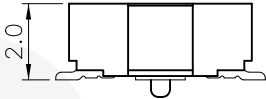
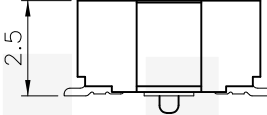
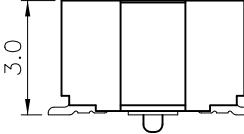
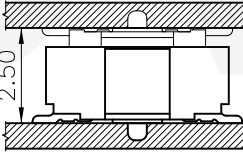
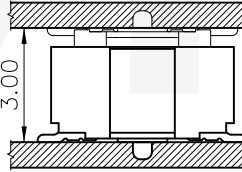
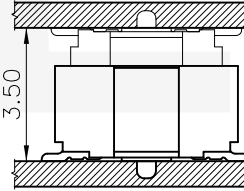
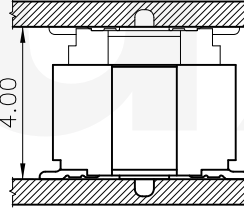
Recommended P.C. Board Layout

DIM.A = 0.50 \* No. of Spaces  
 DIM.B = DIM.A + 5.0  
 DIM.C = DIM.A + 2.0  
 DIM.D = DIM.A + 2.5  
 \* Available in 10 through 80 circuits

Halogen-Free    Lead Free Process    RoHS compliant

④					DATE	UNIT: mm / inch	TITLE:	瀚荃股份有限公司 CviLux Corporation	DRAWING NO. <b>CBRB37SB</b> PART NO. <b>CBRB***S*2***RP-NH</b>
③				DRAWN BY: <b>Sandy</b> 7/15-14'	TOLERANCE UNLESS OTHERWISE SPECIFIED	0.50mm(.002") Board To Board Receptacle Connector	CUSTOMER: <b>BVI0541</b>		
②				ENGINEER: <b>Sun</b> 7/16-14'	.X ± 0.30/.012    .X' ± 1'	SCALE 6 / 1 SHEET 1 OF 3			
①	Sandy	7/10-14'	ECNT114140	CHECKED BY: <b>Eisley</b> 7/18-14'	.XX ± 0.20/.008    .X' ±				
SYM	NAME	DATE	REVISIONS	APPROVED BY: <b>Eisley</b> 7/18-14'	.XXX ± 0.10/.004    .XX' ±				


CIVILUX CORP  
 2014.07.25  
 ISSUED

Male	CBRB***PA*FP1R0-NH 	CBRB***PA*FP1R0-NH 	CBRB***PC*FP1R0-NH 	CBRB***PC*FP1R0-NH 
Female	CBRB***SA*FP1RP-NH 	CBRB***SB*FP1RP-NH 		CBRB***SC*FP1RP-NH 
Mating Height				

Halogen-Free

Lead Free Process

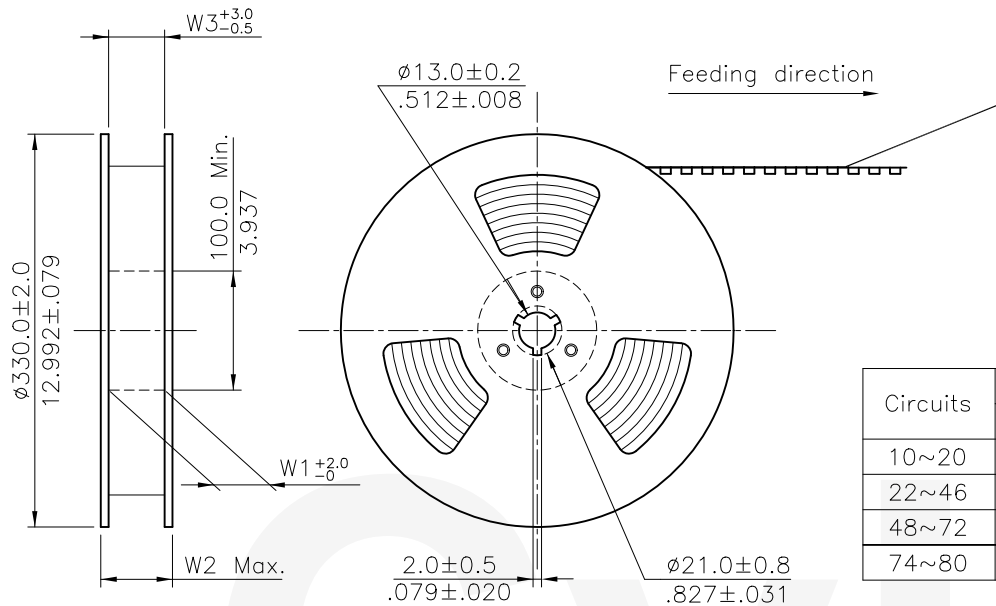
RoHS Compliant

4					DATE	UNIT: mm / inch	TITLE: 0.50mm(.002") Board To Board Receptacle Connector (For Mating height 2.5/3.0/3.5/ 4.0/4.5/5.0mm)	 瀚荃股份有限公司 CviLux Corporation	
3				DRAWN BY: Sandy	7/15-14'	TOLERANCE UNLESS OTHERWISE SPECIFIED			
2				ENGINEER: Sun	7/16-14'	.X ± 0.30/.012 X' ± 1'			
1	Sandy	7/10-14'	ECNT114140	CHECKED BY: Eisley	7/18-14'	.XX ± 0.20/.008 X' ±			
SYM	NAME	DATE	REVISIONS	APPROVED BY: Eisley	7/18-14'	.XXX ± 0.10/.004 .XX' ±	CUSTOMER: BVI0541	DRAWING NO. CBRB37SB	PART NO. CBRB***S*2***RP-NH
							SCALE 6 / 1	SHEET 2 OF 3	

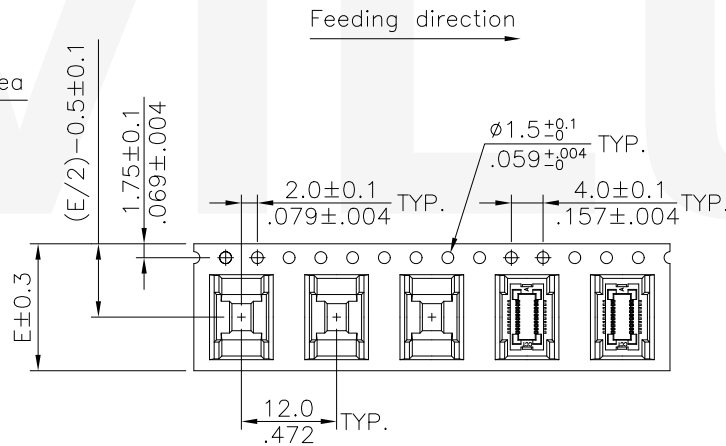
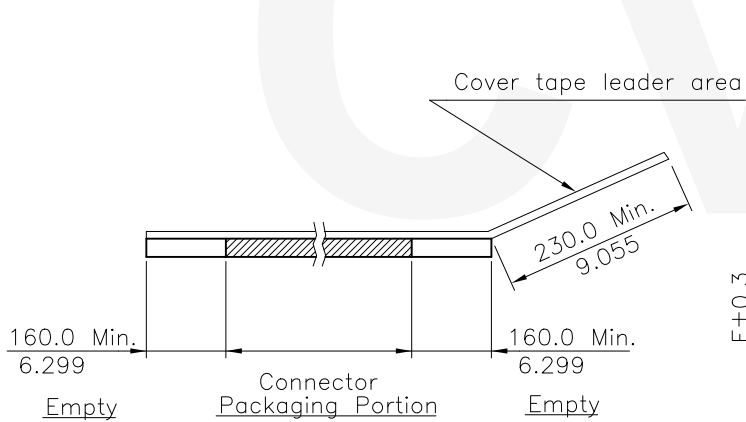


NOTE :

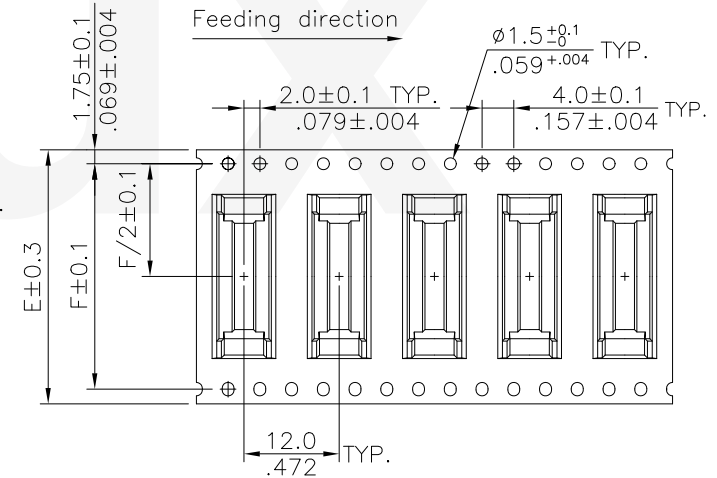
- \* Reel Material : Corrugated Paper
- \* Carrier Material : Clear, Conductive Polystyrene Alloy
- \* Cover Tape Material : Polyester
- \* Cover Tape Peel Strength : 0.1N - 1.3N
- \* Carrier camber is within 1mm in 100mm
- \* All dimensions meet EIA-481-2 & EIA-481-3 requirements.
- \* Quantity : 1500 PCS/Reel (CBRB0\*\*SA\*F\*\*P-NH)
- \* Quantity : 1000 PCS/Reel (CBRB0\*\*SB/C\*F\*\*P-NH)



Circuits	Dimension					Packing (Reel/Caton)
	E	F	W1	W2	W3	
10~20	16.0(.630)	-	16.5(.650)	22.5(.886)	16.5(.650)	11
22~46	24.0(.945)	-	24.5(.965)	30.5(1.200)	24.5(.965)	9
48~72	32.0(1.260)	28.40(1.118)	32.5(1.280)	38.5(1.516)	32.5(1.280)	7
74~80	44.0(1.732)	40.40(1.591)	44.5(1.752)	50.5(1.988)	44.5(1.752)	5



WIDTH : 16.24 mm Carrier



WIDTH : 32.44 mm Carrier

RoHS Compliant

4					DATE	UNIT: mm / inch	TITLE:	瀚荃股份有限公司 CviLux Corporation	DRAWING NO. <b>CBRB37SB</b> PART NO. <b>CBRB***S*2***RP-NH</b>
3				DRAWN BY: <b>Sandy</b> 7/15-14'	TOLERANCE UNLESS OTHERWISE SPECIFIED	<b>0.50mm(.002") Board To Board Receptacle Connector</b>	SCALE		
2				ENGINEER: <b>Sun</b> 7/16-14'	.X ± .X' ± 1'				
1	Sandy	7/10-14'	ECNT114140	CHECKED BY: <b>Eisley</b> 7/18-14'	.XX ± .X' ±				
SYM	NAME	DATE	REVISIONS	APPROVED BY: <b>Eisley</b> 7/18-14'		.XXX ± .XX' ±			

CIVILUX CORP  
 2014.07.25  
 ISSUED