

Note:

1. Material:

* Insulation: Nylon 6T With 30% GF. 94V-0 ,Color Nature(Halogen-Free)

* Contact: Brass with Matte Tin plated

* TAB: Brass with Matte Tin plated

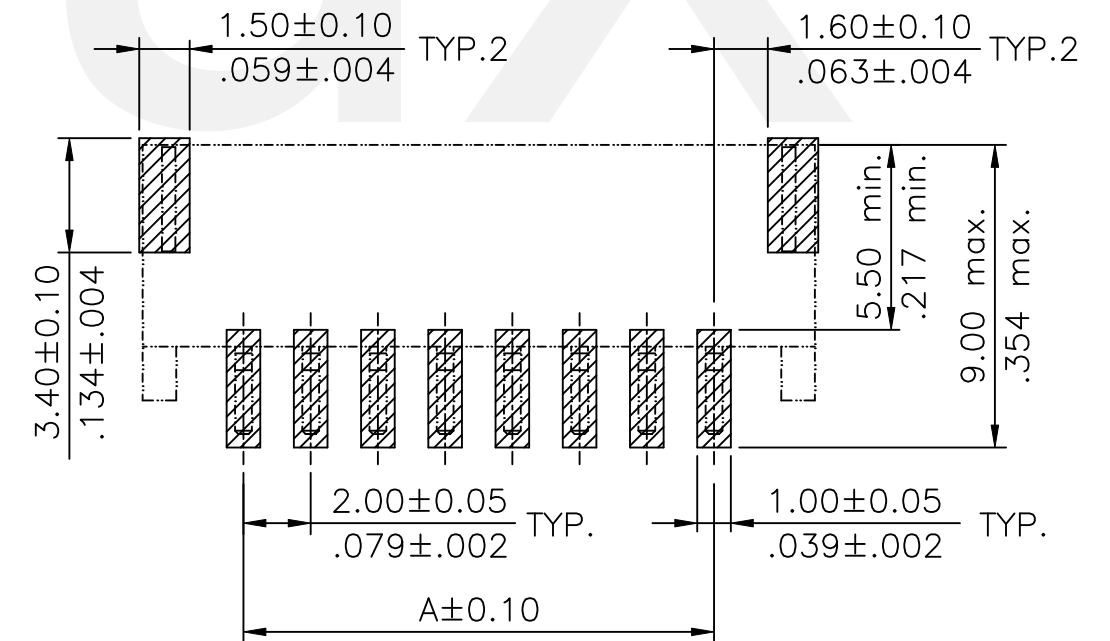
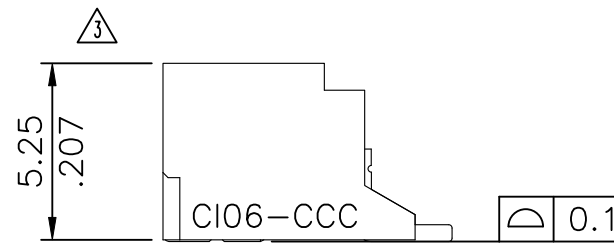
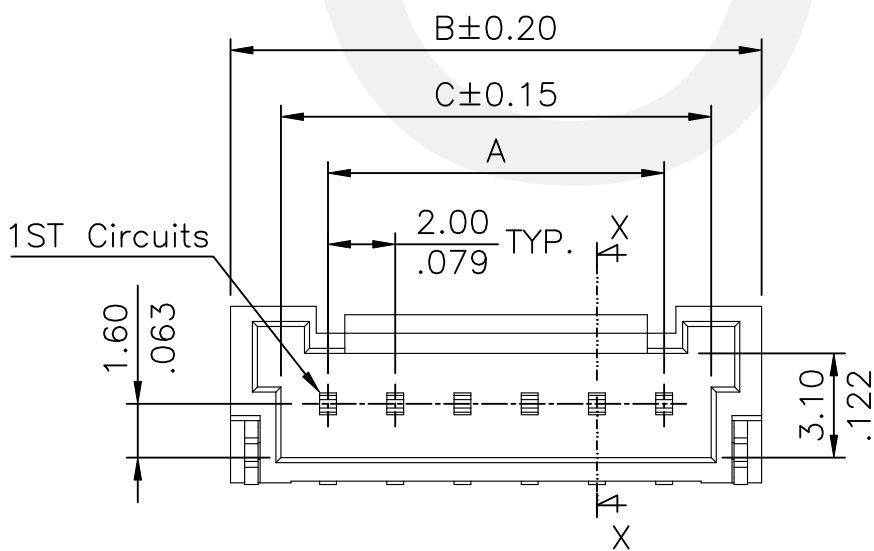
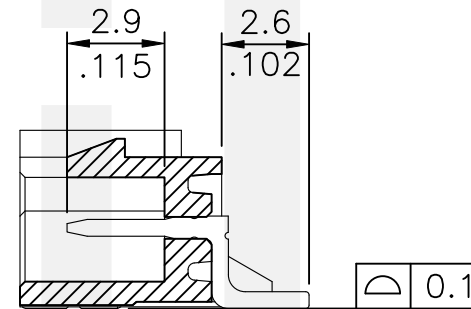
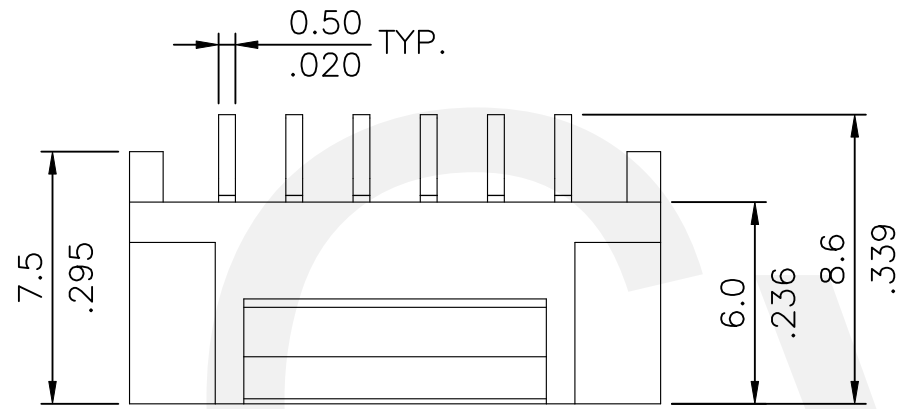
△ 2. For Lead Free IR Reflow Process

Ordering Code:

CI06 ** M 1 H * 0 -NH
 ① ② ③ ④ ⑤ ⑥ ⑦ ⑧

TOLERANCE			
Dim	Circuits	2~6P	7~10P
A		±0.10	±0.15

- ① Series No.
- ② No. of Circuits:
- ③ Contacts Type: M= SMT
- △④ Plating: 1= Matte Tin Plating over Nickel
- ⑤ Type: H= Right angle
- ⑥ Packing Options:
R= Tape & Reel
T= Tube Packing
- ⑦ Option: 0= Standard
- ⑧ NH= For Lead Free IR Reflow Process and Halogen-Free



Sold Pad Pattern

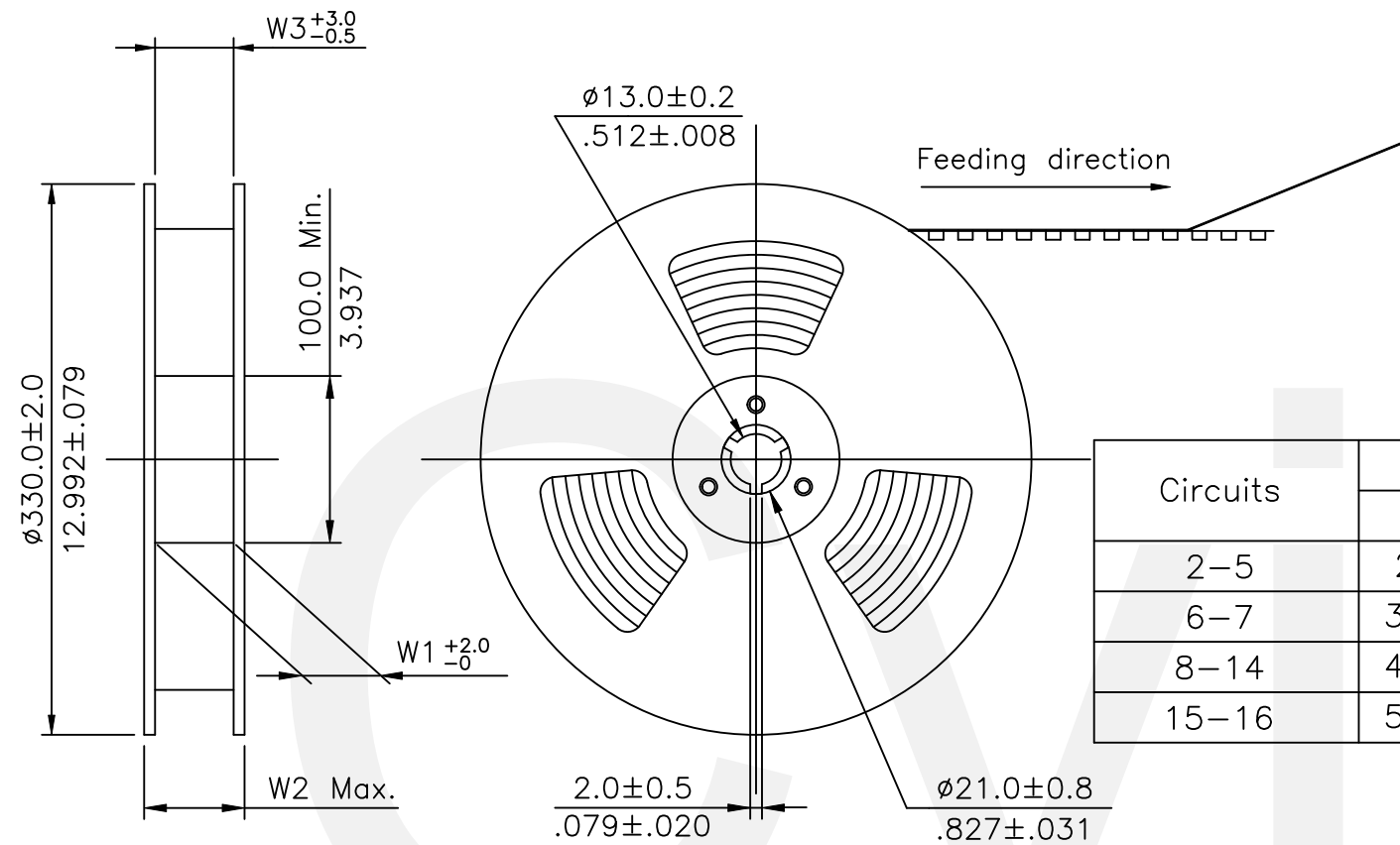
- A = 2.00 x No. of Spaces
- △ B = A + 5.8
- △ C = A + 2.8
- △ * Available in 2 through 16 circuits

Halogen-Free Lead Free Process RoHS Compliant

⑤	Amy	11/6-23'	ECNT123179/ECRB123029		DATE	UNIT: mm / inch	TITLE: 2.00mm PITCH SIDE ENTRY	瀚荃股份有限公司 CviLux Corporation
④	Enya	3/8-13'	ECN13056-0/ECR13007-1	DRAWN BY: Amy	11/6-23'	TOLERANCE UNLESS OTHERWISE SPECIFIED	SMT HEADER	
③	Sandy	6/18-10'	ECN10211	ENGINEER: Sun	11/6-23'	.X ± 0.30/.012 X* ± 1"	MATERIAL:	
②	Una	6/9-10'	ECN10194	CHECKED BY: Eisley	11/6-23'	.XX ± 0.20/.008 .X* ±	FINISH:	
SYM	NAME	DATE	REVISIONS	APPROVED BY: Eisley	11/6-23'	.XXX ± 0.10/.004 .XX* ±		

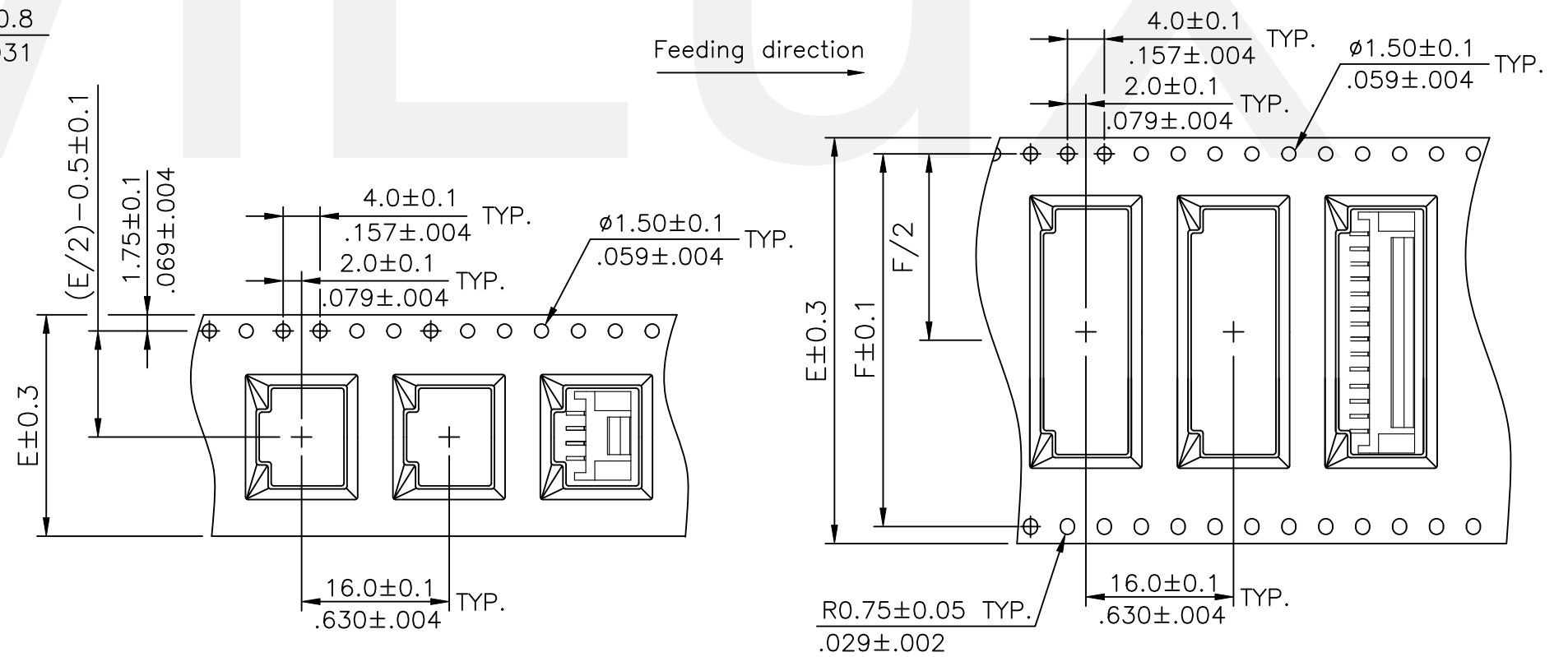
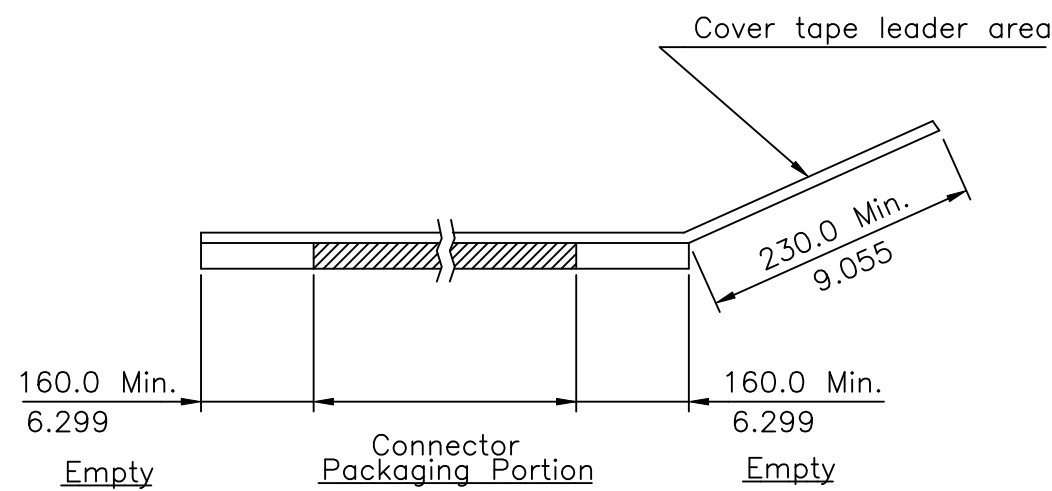
CviLux Corp
 2023/11/16
 ISSUED

DRAWING NO.	CI0619SF	PART NO.	CI06**M1H*0-NH
SCALE	3 / 1	SHEET	1 OF 2



- NOTE :
- ⚠ * Reel Material : HIPS
 - * Carrier Material : Transparent Anti-static Polysyrene.
 - * Cover Tape Material : Polyester
 - * Cover Tape Peel Strength : 0.1N – 1.3N
 - * Carrier camber is within 1mm in 100mm
 - ⚠ * All dimensions meet EIA-481 requirements.
 - * Quantity : 700 PCS/Reel


Circuits	Dimension					Packing (Reel/Carton)
	E	F	W1	W2	W3	
2-5	24.0(.945)	-	24.5(.965)	30.5(1.200)	24.5(.965)	9
6-7	32.0(1.260)	28.40(1.118)	32.5(1.280)	38.5(1.516)	32.5(1.280)	7
8-14	44.0(1.732)	40.40(1.596)	44.5(1.752)	50.5(1.988)	44.5(1.752)	5
15-16	56.0(2.205)	52.40(2.063)	56.5(2.224)	62.5(2.461)	56.5(2.224)	4



WIDTH : 24 mm Carrier

WIDTH : 32,44,56 mm Carrier

RoHS Compliant

5	Amy	11/6-23'	ECNT123179/ECRB123029		DATE	UNIT: mm / inch	TITLE: 2.00mm PITCH SIDE ENTRY	 瀚荃股份有限公司 CviLux Corporation
4	Enya	3/8-13'	ECN13056-0/ECR13007-1	DRAWN BY: Amy	11/6-23'	TOLERANCE UNLESS OTHERWISE SPECIFIED	SMT HEADER	
3	Sandy	6/18-10'	ECN10211	ENGINEER: Sun	11/6-23'	.X ± X' ± 1'	MATERIAL:	
2	Una	6/9-10'	ECN10194	CHECKED BY: Eisley	11/6-23'	.XX ± X' ±	FINISH:	
SYM	NAME	DATE	REVISIONS	APPROVED BY: Eisley	11/6-23'	.XXX ± XX' ±		

CviLux Corp
 2023/11/16
 ISSUED

DRAWING NO.	CI0619SF	PART NO.	CI06**M1H*0-NH
SCALE		SHEET	2 OF 2