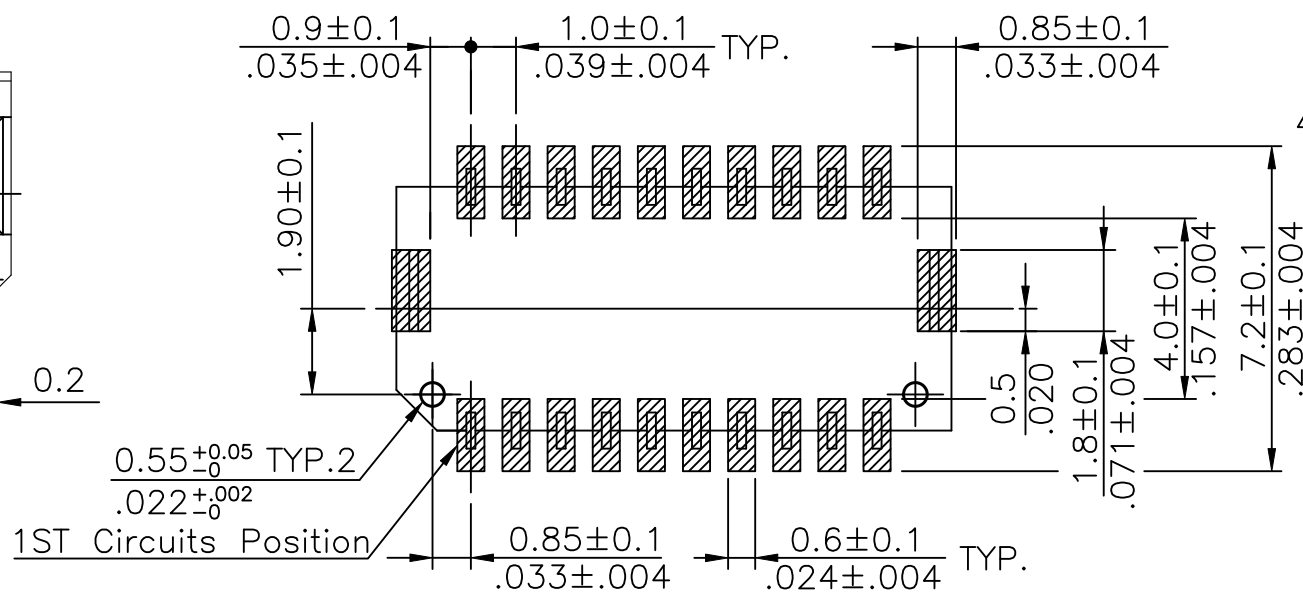
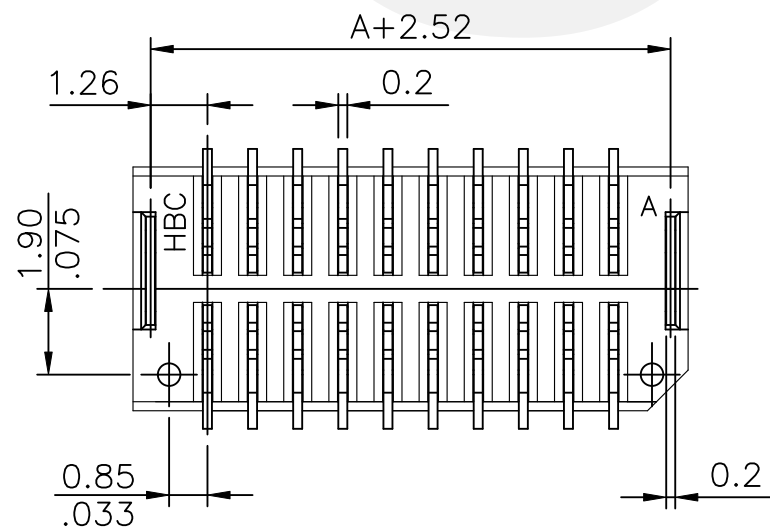
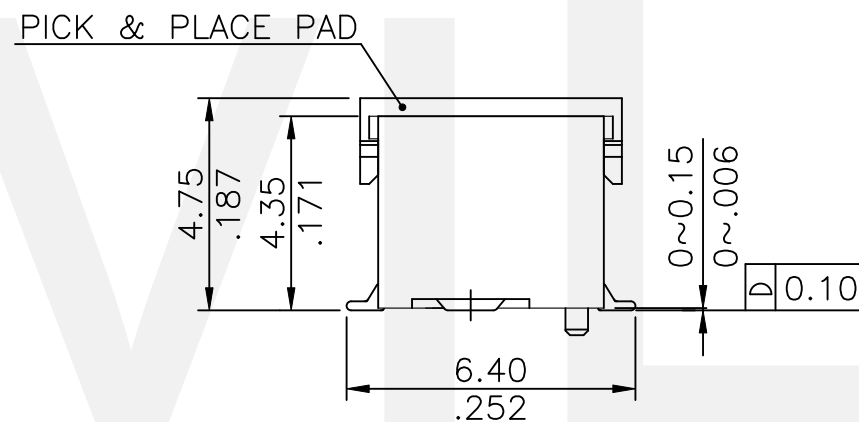
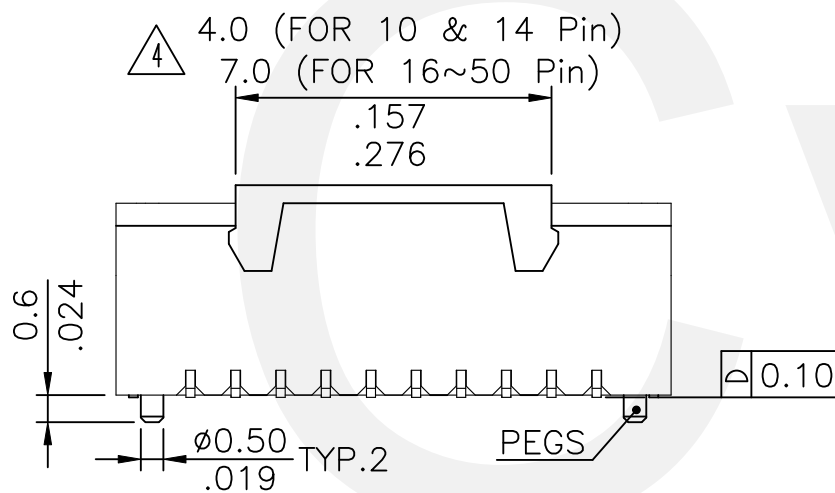


Material:
 Base: Nylon 6T With 30% G.F UL 94V-0
 ,Color Nature
 Contact: Phosphor Bronze
 Tab: Brass
 PAD: High Temperature plastic UL 94V-0
 ,Color Nature

Ordering Code:

CI11 ** M * V D * - * * -NH
 ① ② ③ ④ ⑤ ⑥ ⑦ ⑧ ⑨ ⑩

- ① Series No.
- ② No. of Circuits: 10,14,16,20,24,30,40,50
- ③ Contact type: M= SMT type header
- ④ Plating option:
 1= Matte Tin Plating over Nickel
 2= Gold Flash Plating over Nickel
- ⑤ Type: V= Straight
- ⑥ Row option:
 D= Dual Row Type
- ⑦ Pegs option:
 0= With Pegs (Standard)
 1= Without Pegs
- ⑧ Packing option:
 R= Tape & reel packing(Standard)
 (With pick & place pad)
 T= Tube packing
 (without pack & place pad)
- ⑨ Color option: 0= Nature
 1= Black
- ⑩ -NH= For Lead Free IR Processes and Halogen-Free



DIM. A = 1.00 x NO. OF SPACES
 DIM. B = DIM. A + 3.3


④ ⑤ * AVAILABLE IN 10,14,16,20,24,30,40,50, CIRCUITS

Recommended P.C. Board Layout

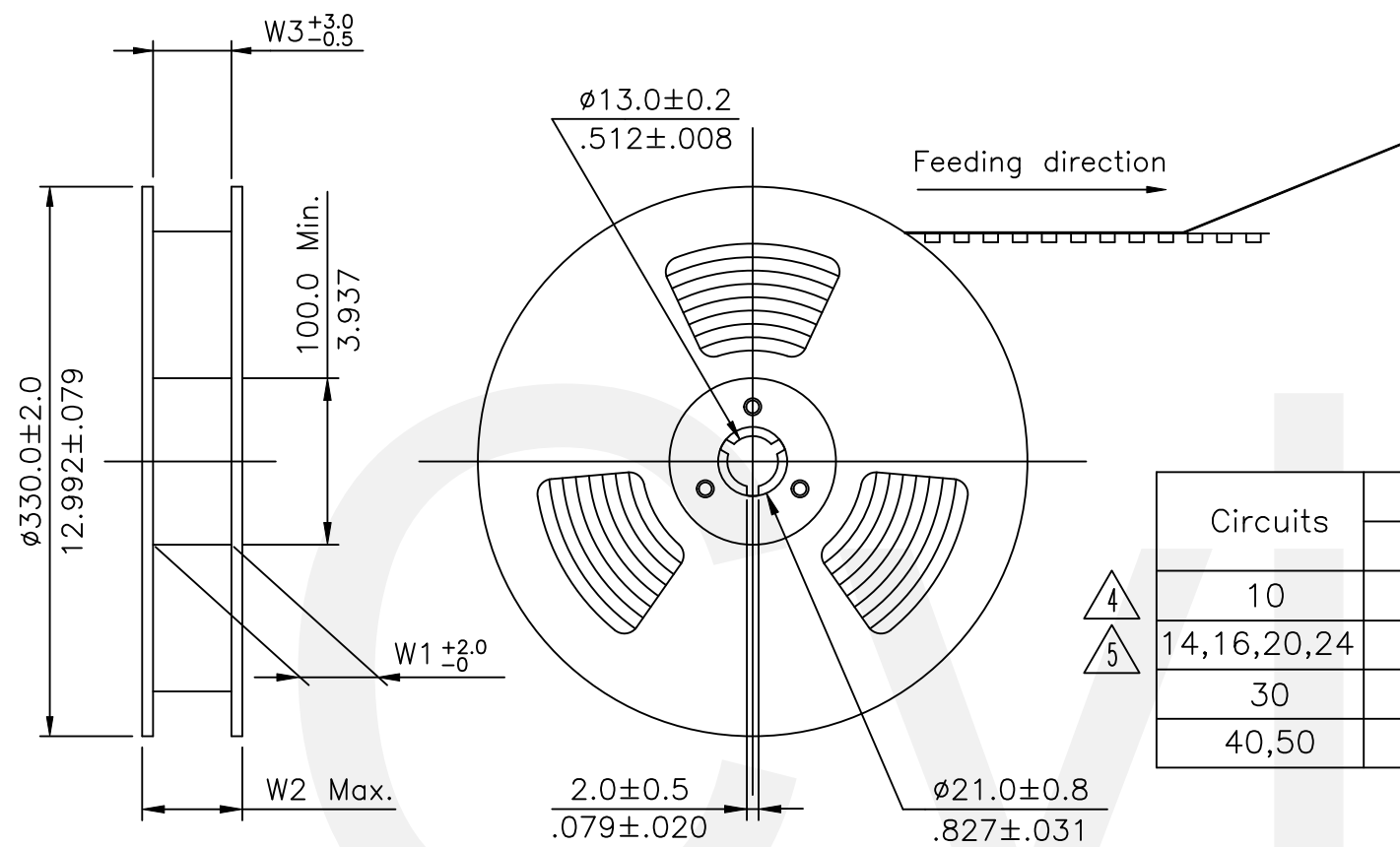
Halogen-Free

Lead Free Process

RoHS Compliant

⑥	Amy	11/22-23	ECNT123179/ECRB123029		DATE	UNIT: mm / inch	TITLE: 1.00MM(.079") WIRE TO BOARD CONNECTOR	 瀚荃股份有限公司 CviLux Corporation
⑤	Karen	1/12-18	ECNT118011	DRAWN BY: Amy	11/22-23'	TOLERANCE UNLESS OTHERWISE SPECIFIED	MATERIAL:	
④	Ellie	4/27-15	ECNT115086	ENGINEER: Sun	11/22-23'	.X ± 0.30/.012	.X' ± 1'	DRAWING NO. CI1133SG
③	Ellie	12/19-14	ECNT114252/ECRT114090	CHECKED BY: Eisley	11/22-23'	.XX ± 0.20/.008	.X' ±	PART NO. CI11**M*VD*--**--NH
SYM	NAME	DATE	REVISIONS	APPROVED BY: Eisley	11/22-23'	.XXX ± 0.10/.004	.XX' ±	FINISH:
								SCALE 4 / 1
								SHEET 1 OF 2

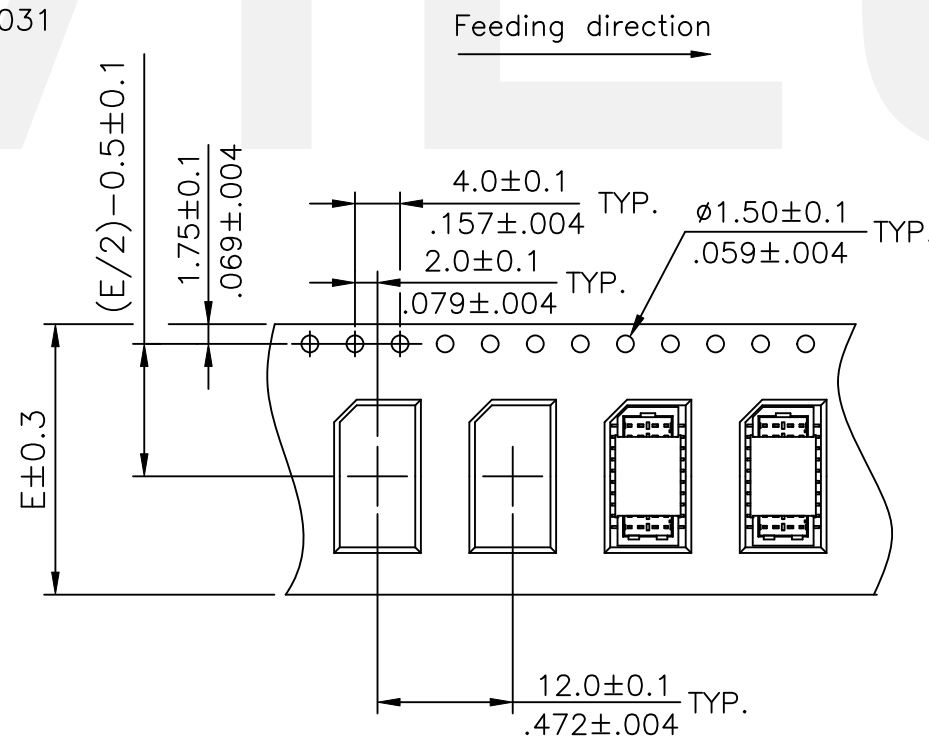
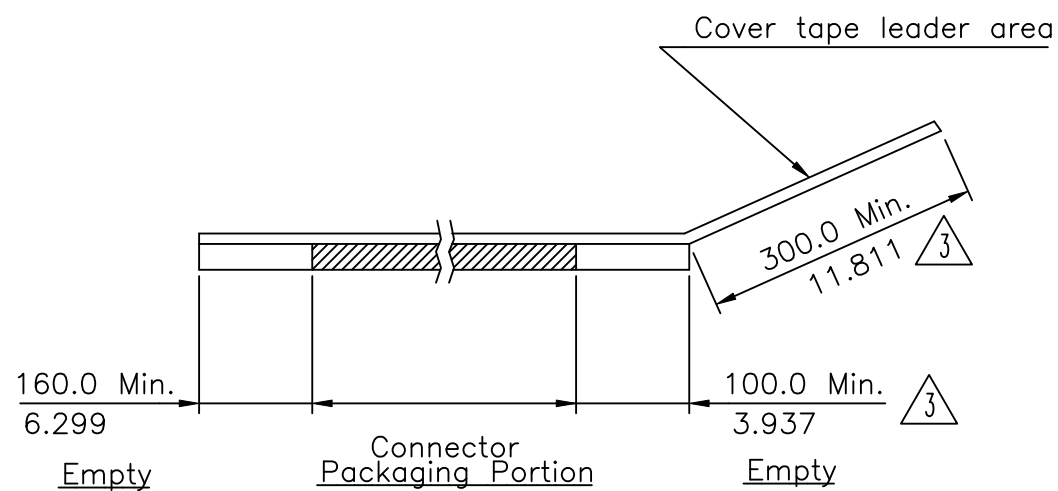
CviLux Corp
 2023/11/27
 ISSUED



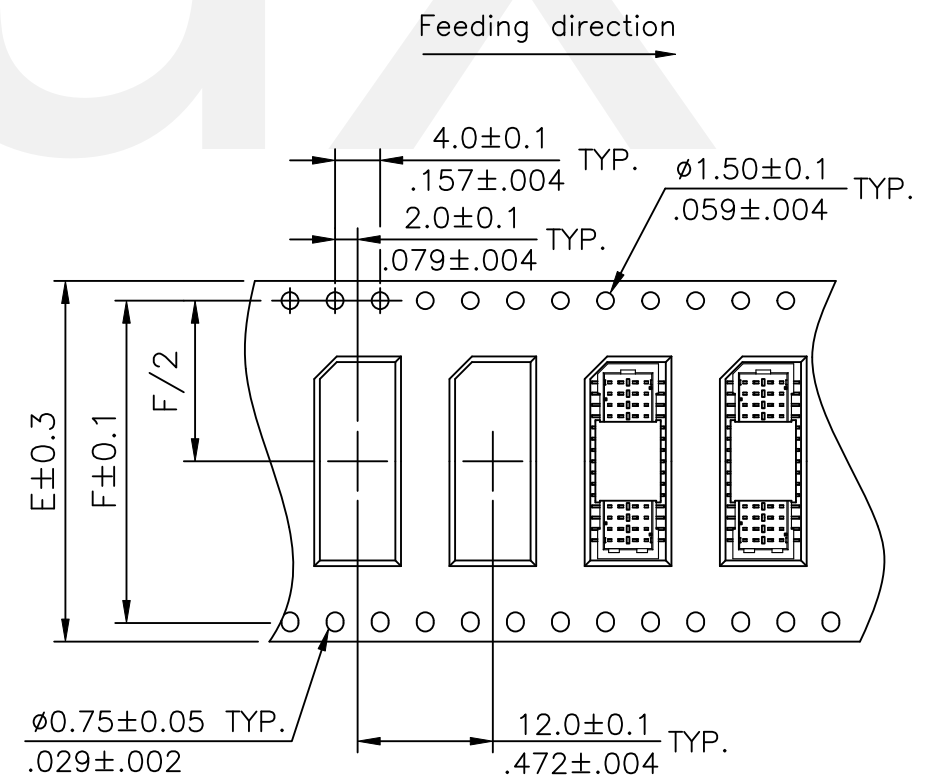
NOTE :

- ⚠️* Reel Material : HIPS
- * Carrier Material : Transparent Anti-static Polysyrene.
- * Cover Tape Material : Polyester
- * Cover Tape Peel Strength : 0.1N – 1.3N
- * Carrier camber is within 1mm in 100mm
- ⚠️* All dimensions meet EIA-481 requirements.
- * Quantity : 1000 PCS/Reel

Circuits	Dimension					Packing (Reel/Carton)
	E	F	W1	W2	W3	
10	16.0(.630)	–	16.5(.650)	22.5(.886)	16.5(.650)	11
14,16,20,24	24.0(.945)	–	24.5(.965)	30.5(1.200)	24.5(.965)	9
30	32.0(1.260)	28.40(1.118)	32.5(1.280)	38.5(1.516)	32.5(1.280)	7
40,50	44.0(1.732)	40.40(1.596)	44.4(1.748)	50.4(1.984)	44.4(1.748)	5



WIDTH : 16,24 mm Carrier



WIDTH : 32,44 mm Carrier

RoHS Compliant

⚠️6	Amy	11/22-23	ECNT123179/ECRB123029	DATE	UNIT: mm / inch	TITLE: 1.00MM(.079")	瀚荃股份有限公司 CviLux Corporation
⚠️5	Karen	1/12-18	ECNT118011	DRAWN BY: Amy	11/22-23'	WIRE TO BOARD CONNECTOR	
⚠️4	Ellie	4/27-15	ECNT115086	ENGINEER: Sun	11/22-23'	MATERIAL:	DRAWING NO. CI1133SG PART NO. CI11**M*VD*--**--NH
⚠️3	Ellie	12/19-14	ECNT114252/ECRT114090	CHECKED BY: Eisley	11/22-23'	FINISH:	
SYM	NAME	DATE	REVISIONS	APPROVED BY: Eisley	11/22-23'	SCALE	SHEET 2 OF 2

CviLux Corp
 2023/11/27
 ISSUED