

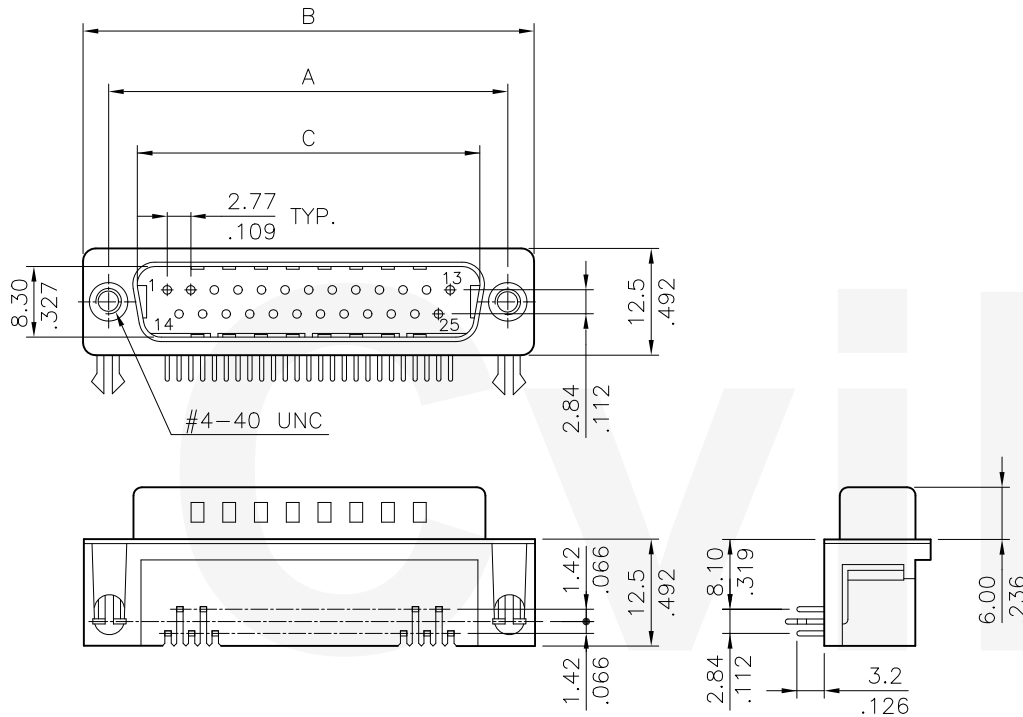
Material:

- \* Insulator: Glass filled polyester UL 94V-0
- \* Contacts: Copper alloy
- △ \* Shell: Steel, Nickel plated as standard
- \* Recommended P.C. Board Layout see drawing No. CD6113S\*

Ordering Code:

CD61 25 P 2 1 F0  
 ① ② ③ ④ ⑤ ⑥

- ① Series No.
- ② Contacts
- ③ Contact type: P= Plug (Male)
- ④ Plating option:  
 2= Gold flash plated over Nickel  
 A= Selective Gold flash plated over Nickel  
 B= Selective 0.38μm(15μ") Gold plated over 1.27μm(50μ") Nickel  
 C= Selective 0.76um(30μ") Gold plated over 1.27μm(50μ") Nickel
- ⑤ Color: 1= Black , T= Turquoise
- ⑥ Other Option:  
 F0= Riveted ground hooks with #4-40 UNC open (Standard)  
 G0= Riveted ground hooks pre-loaded #4-40 UNC Hex screws  
 J0= Assembly ground hooks by #4-40 UNC Hex screws



Circuits	Dimension		
	A	B	C
9	25.00(.984)	30.8(1.213)	16.92(.666)
15	33.32(1.312)	39.2(1.543)	25.25(.994)
25	47.04(1.852)	53.1(2.091)	38.96(1.534)
37	63.50(2.500)	69.4(2.732)	55.42(2.182)

Lead Free Process  
 RoHS Compliant

Mounting Style		Code		Code		Code	
Code	F0	Code	G0	Code	J0		
			DIM. L= 4.8mm		DIM. L= 4.8mm		

④					DATE	UNIT: mm / inch	TITLE: D-SUB PCB MOUNT (8.1mm) MALE CONNECTOR	瀚荃股份有限公司 CviLux Corporation
③	Ken	3/12-18'	ECRT117079/ECNT118047	DRAWN BY: Ken	3/22-18'	TOLERANCE UNLESS OTHERWISE SPECIFIED	MATERIAL:	
②	SUN	7/13-11'	ECN11148/ECR11034-1	ENGINEER: Sun	3/23-18'	.X ± 0.30/012 X' ± 1"	DRAWING NO. CD6107SH PART NO. CD61**P****	
①	SUN	12/11/03'	ECN03464/ECR03065-0	CHECKED BY: Eisley	3/26-18'	.XX ± 0.20/010 .X' ±		
SYM	NAME	DATE	REVISIONS	APPROVED BY: Eisley	3/26-18'	.XXX ± 0.10/004 .XX' ±	FINISH:	SCALE 2 / 1 SHEET 1 OF 1

**CIVILUX CORP**  
 2018.03.29  
 ISSUED