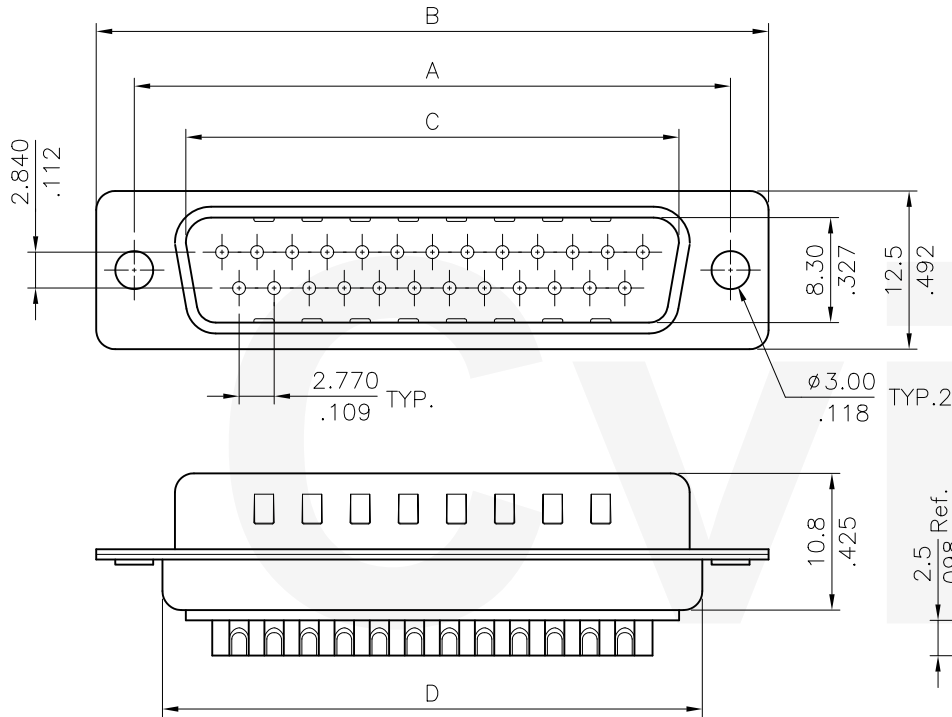


Material:

Insulator: Glass filled Polyester UL 94V-0
Color Black or White

Contact: Brass

△ Shell: Steel, Nickel plated as standard



Circuits	Dimension			
	A	B	C	D
9	25.00(.984)	30.8(1.213)	16.92(.666)	19.2(.756)
15	33.32(1.312)	39.2(1.543)	25.25(.994)	27.6(1.087)
25	47.04(1.852)	53.1(2.091)	38.96(1.534)	41.1(1.618)
37	63.50(2.500)	69.4(2.732)	55.42(2.182)	57.3(2.256)

Ordering Code :

CD71 25 P * * 00

① ② ③ ④ ⑤ ⑥

- Series No.
- Contacts: 9,15,25,37
- Contact type : P=plug
- Contact Plating :
 - 2 = Gold flash plated over 1.27 μ m(50 μ " Nickel (Standard)
 - 3 = 0.38 μ m(15 μ " Gold plated over 1.27 μ m(50 μ " Nickel
 - 4 = 0.76 μ m(30 μ " Gold plated over 1.27 μ m(50 μ " Nickel
 - 5 = 1.27 μ m(50 μ " Gold plated over 1.27 μ m(50 μ " Nickel
- Insulator Color :
 - 1=Black , 0=White
- Other option :
 - 00 = With $\phi 3.00$ mm holes on shell

RoHS Compliant

SYM	NAME	DATE	REVISIONS	APPROVED BY:	DATE	UNIT: mm / inch	TITLE: D-SUB SOLDER CUP MALE CONNECTOR (MACHINED CONTACT)	DRAWING NO.	PART NO.	SHEET	OF
4											
3											
2											
1	Karen	1/31-18'	ECNT117262/ECRT117074	Eisley	2/05-18'	.X ±0.30/012 .XX ±0.20/008 .XXX ±0.10/004	X: ± 1' .X ± .XX ±	CD7101SC	CD71**P**00	2	1
				Eisley	2/05-18'					1	1

CVILUX CORP
2018.02.08
ISSUED

瀚荃股份有限公司
CviLux Corporation