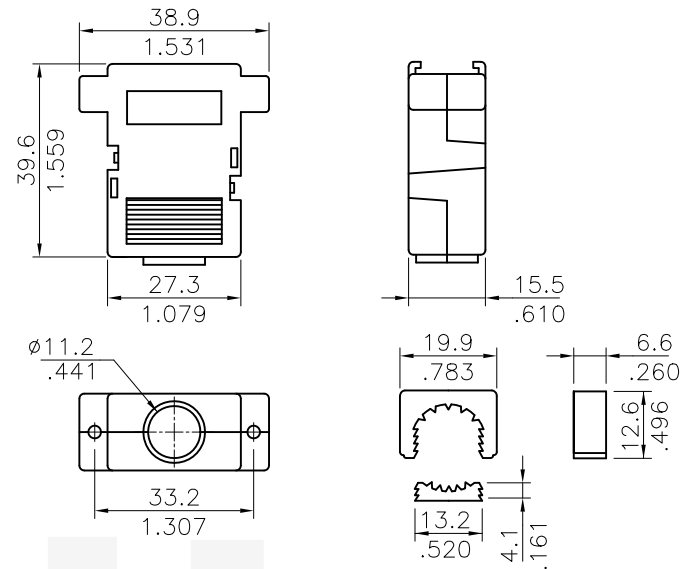
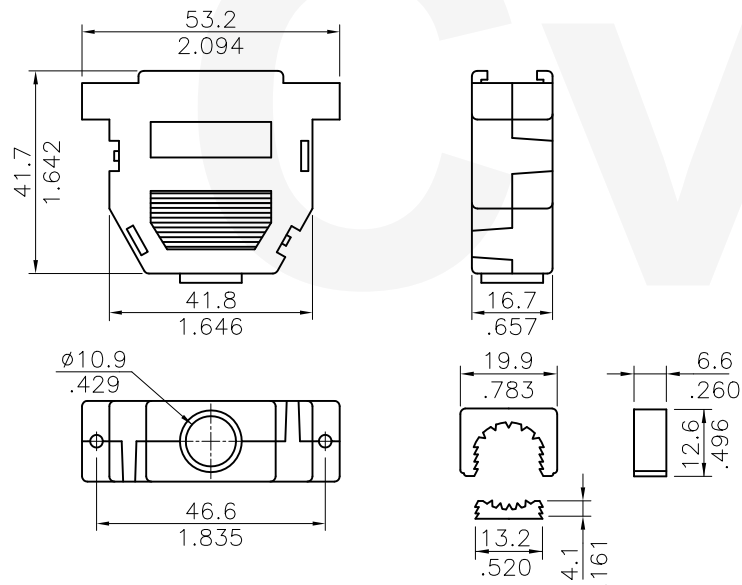


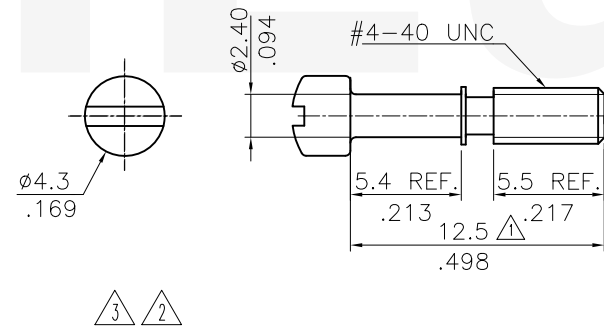
P/N: CD4309HO*00



P/N : CD4315HO*00




P/N: CD4325HO*00



(2 PCS)

Material:
 Hood: ABS UL 94HB
 Screw: Steel with Nickel plated
 Cable Clipper: NYLON 6/6 UL94V-2

RoHS Compliant

SYM	NAME	DATE	REVISIONS	APPROVED BY:	DATE	UNIT: mm / inch	TITLE: D-SUB CONNECTOR ACCESSORIES (PLASTIC HOOD & ACCESSORY SCREW)	 瀚荃股份有限公司 CviLux Corporation			
4											
3	Karen	5/18-16'	ECNT116097/ECRT116014	DRAWN BY: Karen	5/18-16'	TOLERANCE UNLESS OTHERWISE SPECIFIED .X ± 0.38/.015 .X' ± 1" .XX ± 0.25/.010 .X" ± .XXX ± .XX" ±	MATERIAL:	DRAWING NO.	CD4301SG	PART NO.	CD43**H0*00
2	Bill	12/07/07	ECN07499/ECR07132-0	ENGINEER: Sun	5/18-16'		FINISH:	SCALE	1 / 2	SHEET	1 OF 1
1	Sun	12/21/04	ECN04509	CHECKED BY: Eisley	5/20-16'						
				APPROVED BY: Eisley	5/20-16'						

CVILUX CORP
 2016.05.26
 ISSUED