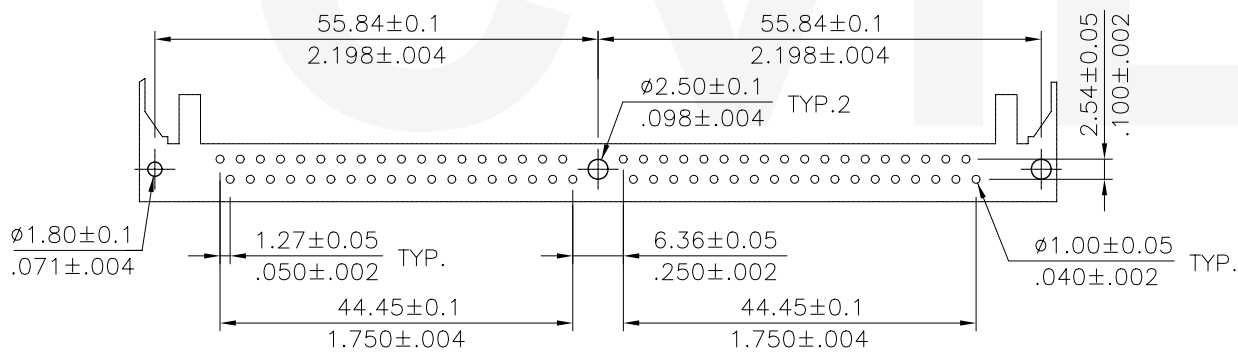
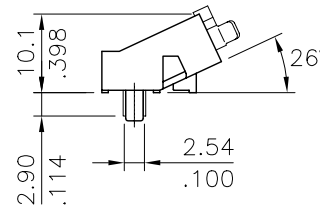
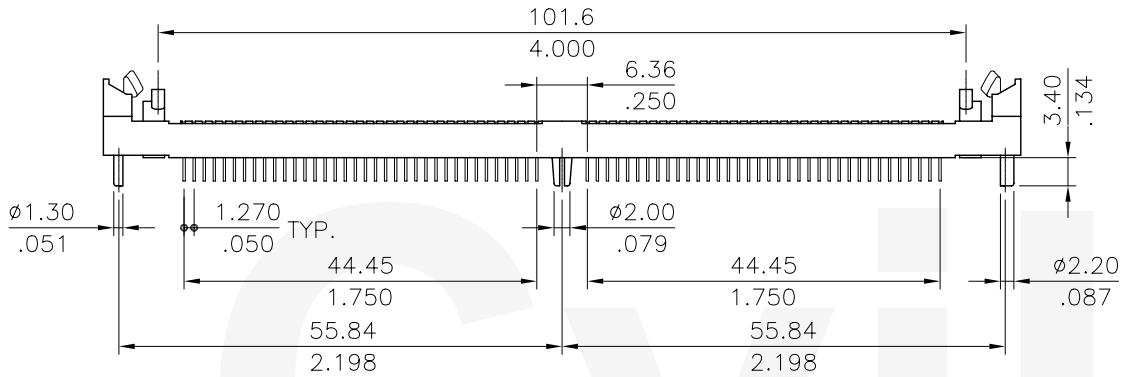
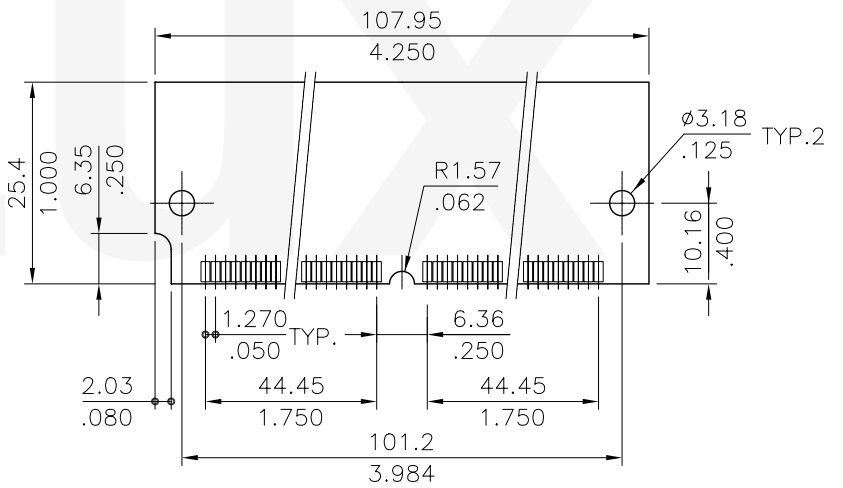


Material:  
 \* Insulation: LCP. UL 94V-0  
   Color Nature  
 \* Contact: Phosphor Bronze  
 \* Latch spring: Stainless steel



Recommended P.C. Board Layout



Module P.C. Board Layout

4					DATE	UNIT: mm / inch	TITLE: 1.27MM(.050") 26° SINGLE ROW SIMM SOCKET	 瀚荃股份有限公司 CviLux Corporation
3				DRAWN BY: Batty	7/11/01'	TOLERANCE UNLESS OTHERWISE SPECIFIED	MATERIAL:	
2				ENGINEER: David	7/11/01'	.X ± 0.25 / .010    X' ± 1"	FINISH:	
1				CHECKED BY: David	7/11/01'	.XX ± 0.15 / .006    .X' ±		
SYM	NAME	DATE	REVISIONS	APPROVED BY: Alex	7/11/01'	.XXX ± 0.08 / .003    .XX' ±		DRAWING NO. CS6201SC    PART NO. CS620721000
								SCALE 1 / 1    SHEET 1 OF 1