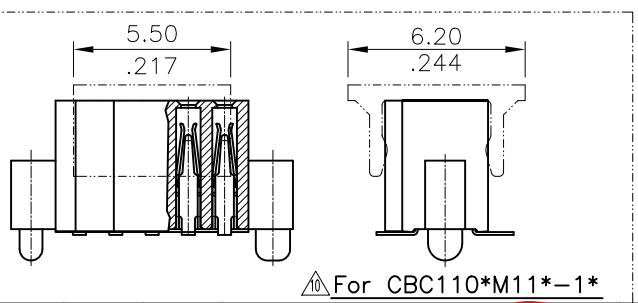


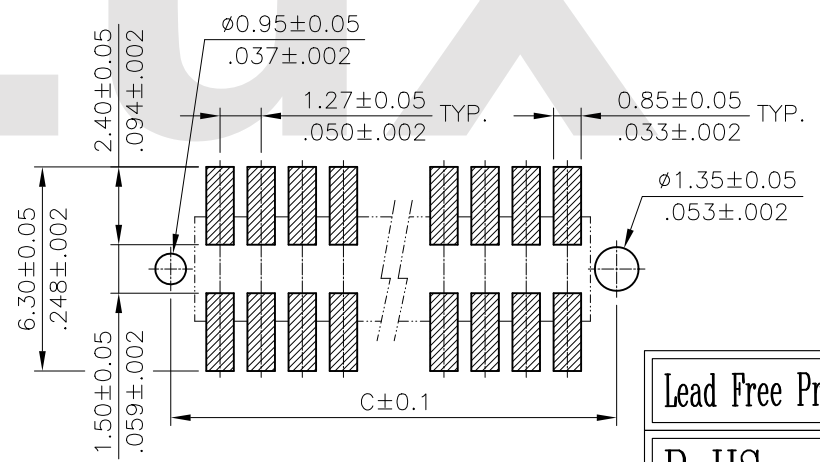
**Material:**  
 \* Insulator: LCP With 35% GF/mineral. or Nylon 9T UL 94V-0  
 \* Contact: Phosphor Bronze  
 \* Pick & Place Pad: High Temperature Plastic

**Ordering Code:**  
 CBC1 \*\* \* M 1 0 0 - 1 P  
 ① ② ③ ④ ⑤ ⑥ ⑦ ⑧ ⑨

- ① Series No.
- ② No. of Contact: With Key: 10,20,30~60  
Without Key: 6~60
- ③ Plating code:  
 2= Gold flash plated over 1.27μm(50μ") Nickel  
 A= Selective 1.2μ" Min. Gold Flash plated over 50μ" Nickel  
 B= Selective 15μ" Min. Gold Flash plated over 50μ" Nickel  
 C= Selective 30μ" Min. Gold Flash plated over 50μ" Nickel
- ④ Tail Style: M = SMT Type
- ⑤ Insulator Color: 1 = Black
- ⑥ Other option: 0= Without Key and Peg  
1= With Key and Peg
- ⑦ Material option: 0= LCP With 35% G.F./mineral  
M= Nylon 9T
- ⑧ Pin Size for mate Pin header:  
1=0.46 Round Pin
- ⑨ 0=Without Pick & Place Pad (Tube packaged)  
P=With Pick & Place Pad (Tape & Reel packing)  
A=With Pick & Place Pad (Tube packaged)



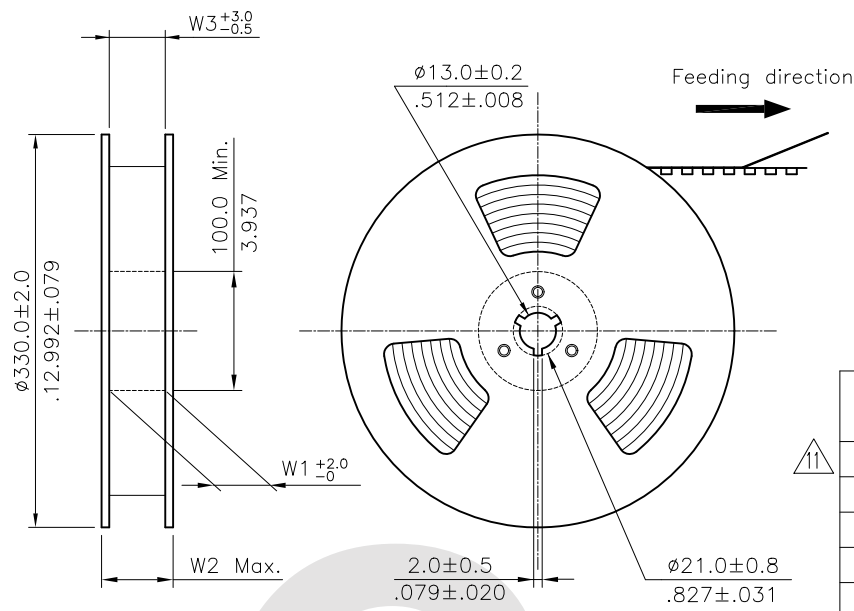
DIM. A = 1.27 X No. of Spaces  
 DIM. B = DIM. A + 1.67  
 DIM. C = DIM. A + 3.05  
 \* Available in 6 through 60 Circuits



Recommended P.C. Board Layout

Lead Free Process  
 RoHS Compliant

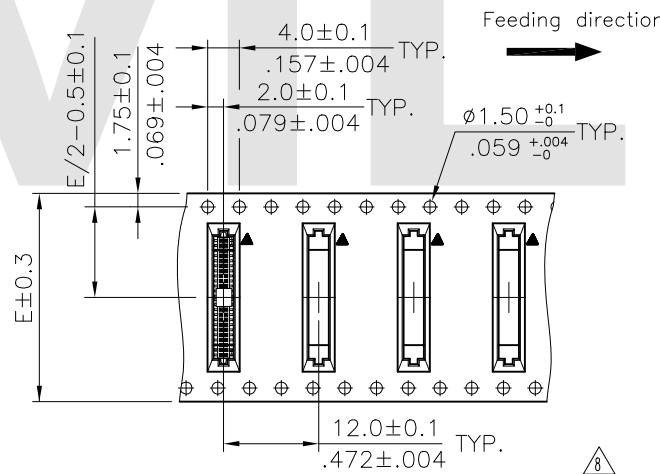
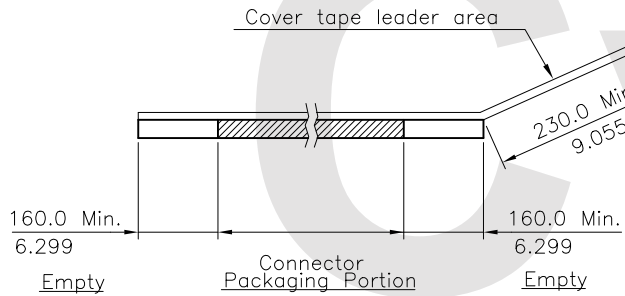
①	Sun	5/10-16'	ECRB116019/ECNT116096		DATE	UNIT: mm / inch	TITLE: 1.27 X 1.27mm SMT TYPE SOCKET	 瀚荃股份有限公司 CviLux Corporation	
⑩	Enya	4/29-13'	ECN13090-0/ECR13033-0		DRAWN BY: Sun	6/1-16'	TOLERANCE UNLESS OTHERWISE SPECIFIED		MATERIAL:
⑨	Sun	11/18-09'	ECN09531/ECR09117-1		ENGINEER: Sun	6/1-16'	.X ± 0.25/.010 X' ± 1'		FINISH:
⑧	Sandy	5/14-08'	ECN08222/ECR08046-1		CHECKED BY: Eisley	6/4-16'	.XX ± 0.13/.005 .X' ±	DRAWING NO. CBC102SN PART NO. CBC1***M1**-1*	
SYM	NAME	DATE	REVISIONS		APPROVED BY: Eisley	6/4-16'	.XXX ± 0.08/.003 .XX' ±	SCALE 6 / 1 SHEET 1 OF 2	



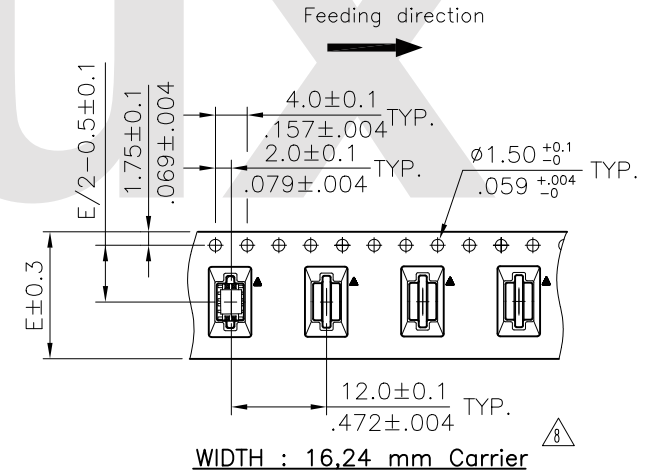
NOTE :

- \* Reel Material : Corrugated Paper
- \* Carrier Material : Black, Conductive Polystyrene Alloy
- \* Cover Tape Material : Polyester
- \* Cover Tape Peel Strength : 0.1N – 1.3N
- \* Carrier camber is within 1mm in 100mm
- \* All dimensions meet EIA-481-B requirements.
- \* Quantity : 800 PCS/Reel

Circuits	Dimension					Packing (Reel/Carton)
	E	F	W1	W2	W3	
6~8	16.0(.630)	-----	16.5(.650)	22.5(.886)	16.5(.650)	11
10~18	24.0(.945)	-----	24.5(.965)	30.5(1.201)	24.5(.965)	9
20~26	32.0(1.260)	28.4(1.118)	32.5(1.280)	38.5(1.516)	32.5(1.280)	7
28~44	44.0(1.732)	40.4(1.591)	44.5(1.752)	50.5(1.988)	44.5(1.752)	5
46~60	56.0(2.205)	52.4(2.063)	56.5(2.224)	62.5(2.461)	56.5(2.224)	4



WIDTH : 32.44,56 mm Carrier



RoHS Compliant

11	Sun	5/10-16'	ECRB116019/ECNT116096		DATE	UNIT: mm / inch	TITLE: 1.27 X 1.27mm SMT TYPE SOCKET	 瀚荃股份有限公司 CviLux Corporation	
10	Enya	4/29-13'	ECN13090-0/ECR13033-0		DRAWN BY: Sun	6/1-16'	TOLERANCE UNLESS OTHERWISE SPECIFIED		MATERIAL:
9	Sun	11/18-09'	ECN09531/ECR09117-1		ENGINEER: Sun	6/1-16'	.X ±      .X' ± '1		FINISH:
8	Sandy	5/14-08'	ECN08222/ECR08046-1		CHECKED BY: Eisley	6/4-16'	.XX ±     .X ±	DRAWING NO. CBC102SN	PART NO. CBC1***M1**-1*
SYM	NAME	DATE	REVISIONS		APPROVED BY: Eisley	6/4-16'	.XXX ±    .XX ±	SCALE	SHEET 2 OF 2