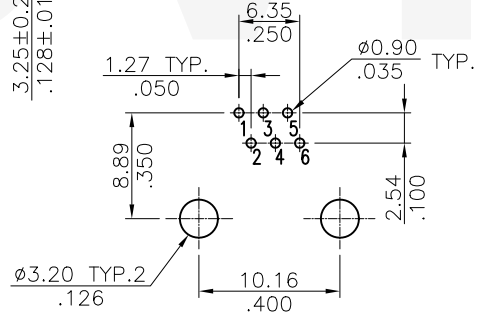
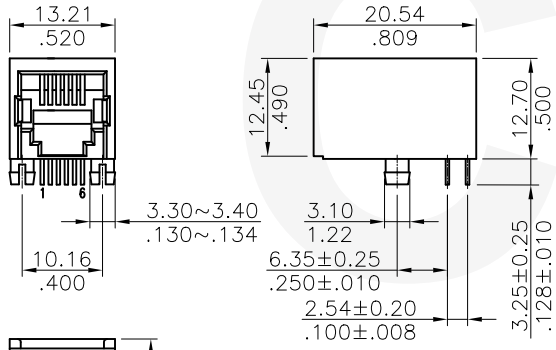


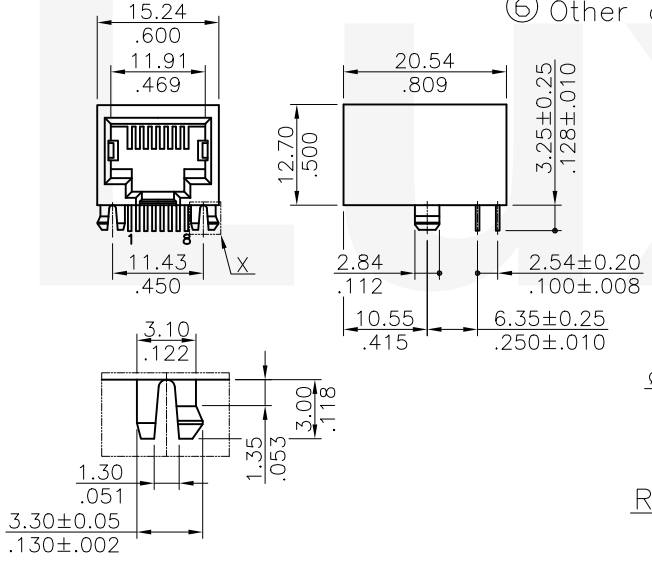
Recommended PC Board Layout

4 POSITION



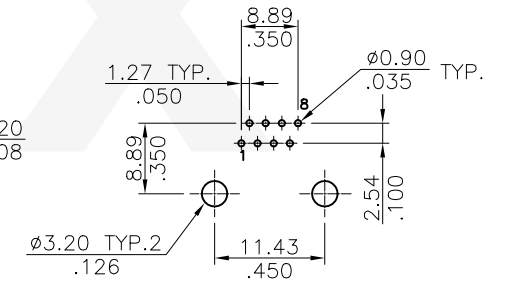
Recommended PC Board Layout

6 POSITION



DETAIL X

8 POSITION



Recommended PC Board Layout

Notes:

- * Insulator : Glass filled Polyester UL 94V-0
- * Contact : Phosphor Bronze
- * For Tin-Lead Wave Flow Process

Ordering Code:

CJ36 66 3 1 1 00
 ① ② ③ ④ ⑤ ⑥

- ① Series No.
- ② Contacts:
 44= 4P4C ; 42= 4P2C
 66= 6P6C ; 64= 6P4C
 62= 6P2C
 88= 8P8C
- ③ Plating option:
 2= Gold flash plated over Nickel
 3= 0.38µm(15µ") Gold plated over 1.27µm(50µ") Nickel
 4= 0.76µm(30µ") Gold plated over 1.27µm(50µ") Nickel
- ④ Ports: 1= 1 port
- ⑤ Insulator Color: 1= Black
- ⑥ Other options: 00= Standard

Tin-Lead Process	RoHS Compliant
------------------	----------------

4					DATE	UNIT: mm / inch	TITLE: BOARD MOUNT SIDE ENTRY TELEPHONE JACK
3					DRAWN BY: Karen	6/22-15'	MATERIAL:
2					ENGINEER: Sun	6/23-15'	
1	Karen	6/22-15'	ECNT115131\ECRT115049		CHECKED BY: Eisley	6/23-15'	FINISH:
SYM	NAME	DATE	REVISIONS		APPROVED BY: Eisley	6/23-15'	

CIVILUX CORP
 2015.06.25
 ISSUED

瀚荃股份有限公司
 CviLux Corporation

DRAWING NO.	CJ3601SC	PART NO.	CJ36***1*00
SCALE	1 / 1	SHEET	1 OF 1