

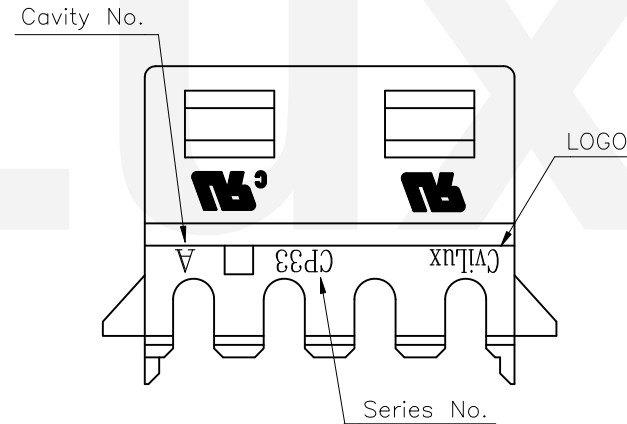
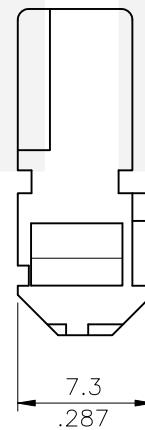
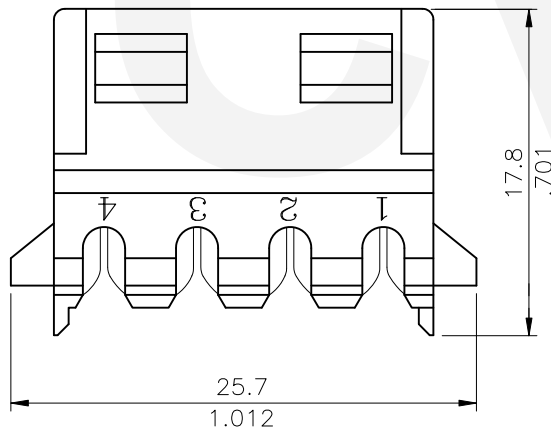
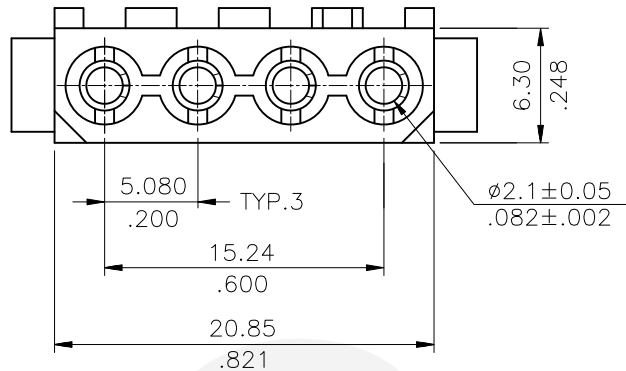
Material:


- \* Insulation: Nylon 66 94V-2 or 94V-0
- \* Contact: Phosphor Bronze

Ordering Code:

CP33 04 S 1 00 \*  
 ① ② ③ ④ ⑤ ⑥

- ① Series No.
- ② No. of Circuits: 4 Circuits
- ③ Contact type: S=Female
- ④ Contact plated: 1= 1.52μm(60μ") Min. Tin over 0.38μm(15μ") Nickel
- ⑤ Color code: 00= Color Nature
- ⑥ Option: 0= 94V-2, Acceses AWG#18~20  
 A= 94V-2, Acceses AWG#22  
 B= 94V-0, Acceses AWG#18~20  
 C= 94V-0, Acceses AWG#22



④					DATE	UNIT: mm / inch	TITLE: 5.08MM(.200")	 瀚荃股份有限公司 CviLux Corporation		
③				DRAWN BY: Karen	4/13-20'	TOLERANCE UNLESS OTHERWISE SPECIFIED	IDC RECEPTACLE CONNECTOR			
②				ENGINEER: Sun	4/13-20'	.X ± 0.30/.012 X' ± 1'	MATERIAL:			
①	Karen	4/13-20'	ECNT120089/ECRB120007	CHECKED BY: Eisley	4/13-20'	.XX ± 0.20/.008 .X' ±	FINISH:			
SYM	NAME	DATE	REVISIONS	APPROVED BY: Eisley	4/13-20'	.XXX ± 0.10/.004 .XX' ±		DRAWING NO. CP3301SE	PART NO. CP3304S100*	
								SCALE	2 / 1	SHEET 1 OF 1

