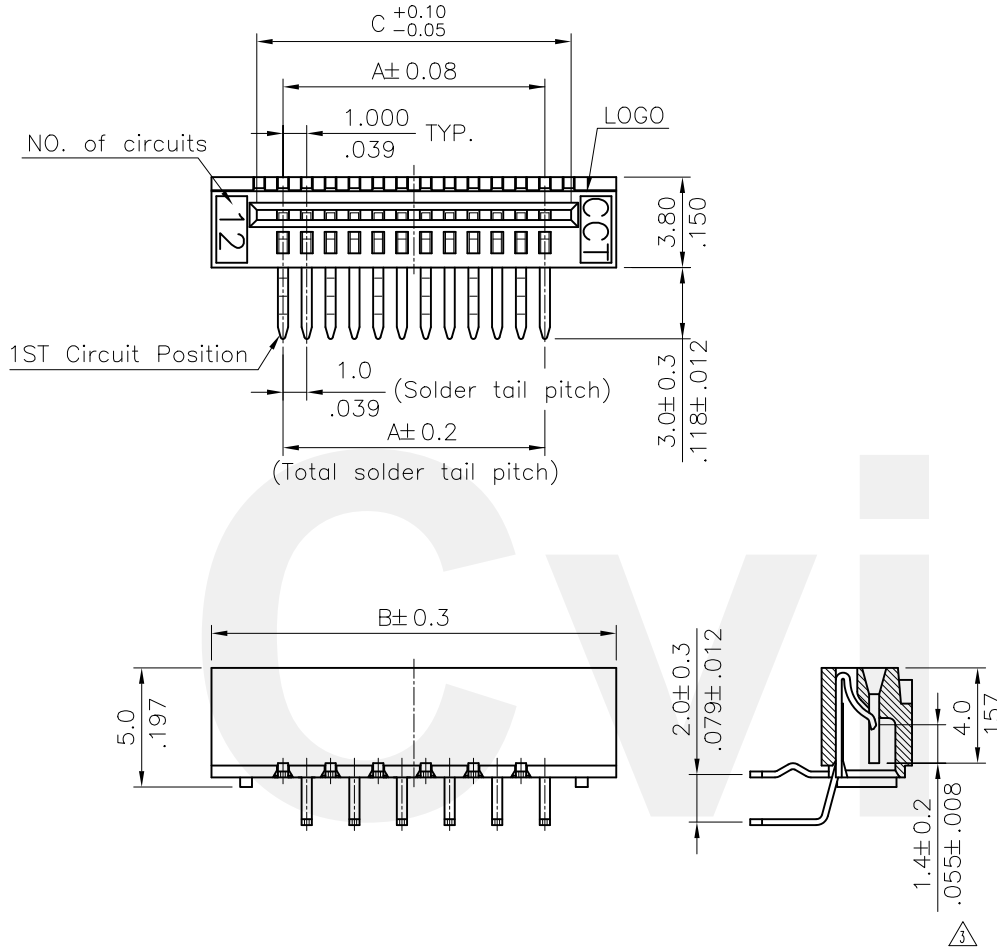


Material:

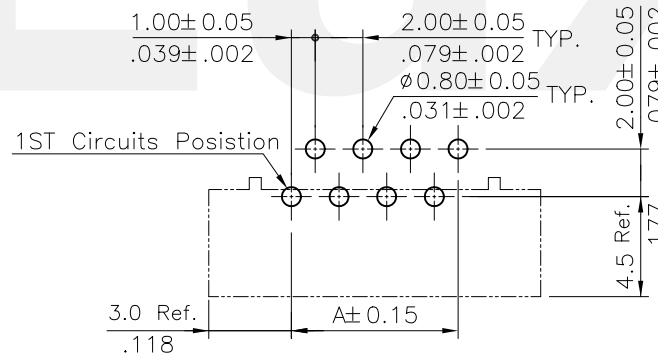
- \* Insulation: Nylon 6T UL 94V-0  
Color Nature
- \* Contact: Phosphor Bronze



### Ordering Code

CF16 \*\* 1 D 0 T 0 -LF  
① ② ③ ④ ⑤ ⑥ ⑦ ⑧


- ① Series No.
- ② No. of Circuits
- ③ Plating code:  
1 = Matte Tin plated over Nickel
- ④ Contact type : D= Down side contact
- ⑤ Insulation Color: 0= Nature
- ⑥ Packing : T= Tube Packaged
- ⑦ Other option: 0= Standard
- ⑧ -LF= For Lead Free Wave Flow Processes



Recommended P.C. Board Layout

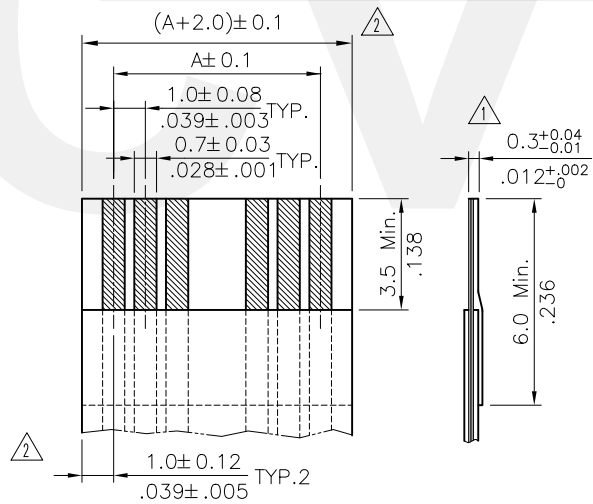
Lead Free Process

RoHS Compliant

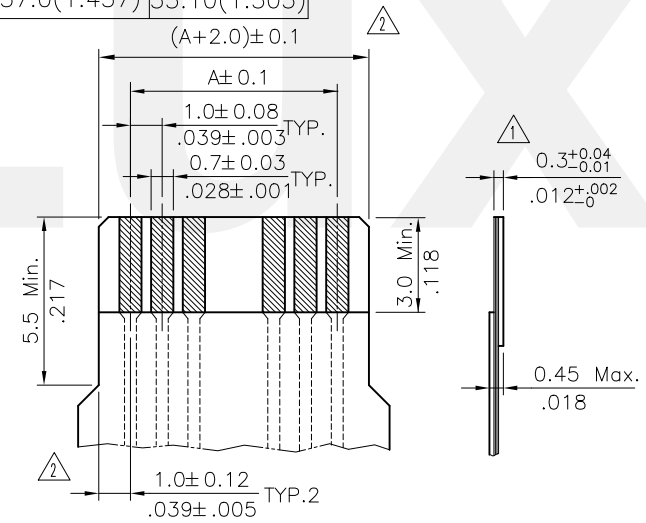
④						DATE	UNIT: mm / inch	TITLE: 1.00mm(.040") R/A DIP TYPE LIF FFC/FPC CONNECTOR (DOWNSIDE CONTACT)	 瀚荃股份有限公司 CviLux Corporation
③	Ken	6/12-17'	ECNT117070/ECRT117004	DRAWN BY: Ken	6/14-17'	TOLERANCE UNLESS OTHERWISE SPECIFIED	MATERIAL:	DRAWING NO. CF1643SD	
②	Bill	03/27/08'	ECR08027-0/ECN08145	ENGINEER: Sun	6/14-17'	.X ± 0.15/.006	X' ± 1'	PART NO. CF16**1D0T0-LF	
①	Sandy	9/22-07'	ECN07381/ECR07065-1	CHECKED BY: Eisley	6/19-17'	.XX ± 0.10/.004	X' ±	SCALE 3 / 1	
SYM	NAME	DATE	REVISIONS	APPROVED BY: Eisley	6/19-17'	.XXX ± 0.05/.002	.XX ±	SHEET 1 OF 2	

**CVILUX CORP**  
**2017.06.22**  
**ISSUED**

Circuits	Dimension			Circuits	Dimension		
	A	B	C		A	B	C
3	2.00(.079)	8.00(.315)	4.10(.161)	18	17.00(.670)	23.0(.905)	19.10(.752)
4	3.00(.118)	9.00(.354)	5.10(.201)	19	18.00(.709)	24.0(.945)	20.10(.791)
5	4.00(.157)	10.0(.393)	6.10(.240)	20	19.00(.748)	25.0(.984)	21.10(.831)
6	5.00(.197)	11.0(.433)	7.10(.280)	21	20.00(.787)	26.0(1.024)	22.10(.870)
7	6.00(.236)	12.0(.472)	8.10(.319)	22	21.00(.827)	27.0(1.063)	23.10(.909)
8	7.00(.275)	13.0(.512)	9.10(.358)	23	22.00(.866)	28.0(1.102)	24.10(.949)
9	8.00(.315)	14.0(.551)	10.10(.398)	24	23.00(.905)	29.0(1.142)	25.10(.988)
10	9.00(.354)	15.0(.590)	11.10(.437)	25	24.00(.945)	30.0(1.181)	26.10(1.028)
11	10.00(.393)	16.0(.630)	12.10(.476)	26	25.00(.984)	31.0(1.220)	27.10(1.067)
12	11.00(.433)	17.0(.670)	13.10(.516)	27	26.00(1.024)	32.0(1.260)	28.10(1.106)
13	12.00(.472)	18.0(.709)	14.10(.555)	28	27.00(1.063)	33.0(1.300)	29.10(1.146)
14	13.00(.512)	19.0(.748)	15.10(.594)	29	28.00(1.102)	34.0(1.339)	30.10(1.185)
15	14.00(.551)	20.0(.787)	16.10(.634)	30	29.00(1.142)	35.0(1.378)	31.10(1.224)
16	15.00(.590)	21.0(.827)	17.10(.673)	31	30.00(1.181)	36.0(1.417)	32.10(1.263)
17	16.00(.630)	22.0(.866)	18.10(.713)	32	31.00(1.220)	37.0(1.457)	33.10(1.303)




\* ACCOMMODATED FFC



\* ACCOMMODATED FPC

Lead Free Process  
RoHS Compliant

4					DATE	UNIT: mm / inch	TITLE: 1.00mm(.040") R/A DIP TYPE LIF FFC/FPC CONNECTOR (DOWNSIDE CONTACT)	 瀚荃股份有限公司 CviLux Corporation
3	Ken	6/12-17'	ECNT117070/ECRT117004	DRAWN BY: Ken	6/14-17'	TOLERANCE UNLESS OTHERWISE SPECIFIED	MATERIAL:	
2	Bill	03/27/08	ECR08027-0/ECN08145	ENGINEER: Sun	6/14-17'	.X ± 0.15/.006	FINISH:	DRAWING NO. CF1643SD
1	Sandy	9/22-07'	ECN07381/ECR07065-1	CHECKED BY: Eisley	6/19-17'	.XX ± 0.10/.004		PART NO. CF16**1D0T0-LF
SYM	NAME	DATE	REVISIONS	APPROVED BY: Eisley	6/19-17'	.XXX ± 0.05/.002		SCALE 3 / 1
								SHEET 2 OF 2

  
 2017.06.22  
 ISSUED