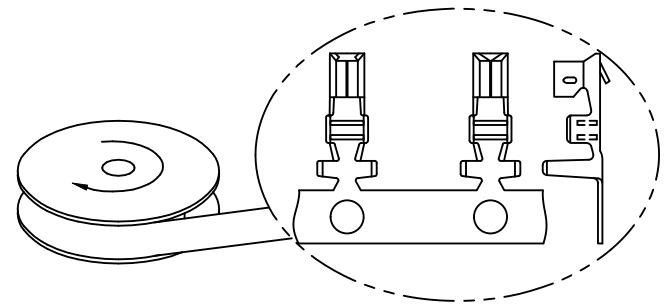
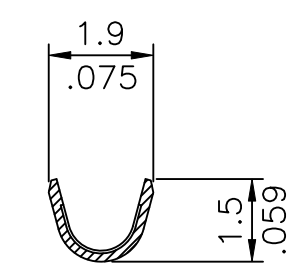
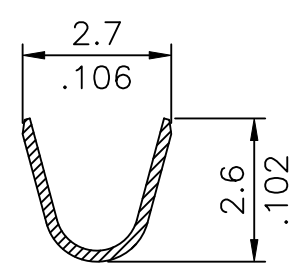
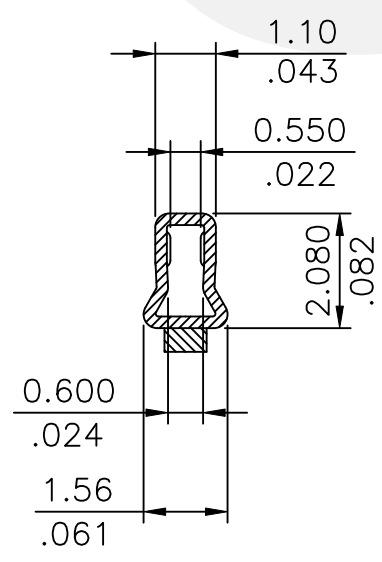


Wire Range	Insulation Diameter	Reel Q'ty
AWG #24~#30	1.90 (.075) MAX.	10,000 PCS.

Ordering Code

CI21 T02 1 P E0  
 ① ② ③ ④ ⑤

- ① Series No.
- ② Type: T02= AWG #24 ~ #30
- ③ Plating: 1= Tin plated over Nickel
- ④ Material: P= Phosphor Bronze
- ⑤ Option: E0= Standard



RoHS Compliant

SYMBOL	NAME	DATE	REVISIONS	APPROVED BY:	DATE	UNIT:	TITLE:	CviLux Corporation			
④	Karen	9/12-24'	ECNT124258/ECRD124042		DATE	mm / inch	CRIMP TERMINAL	瀚荃股份有限公司 CviLux Corporation			
③	Yushu	2/4-20'	ECN120035/ECR120008	DRAWN BY:	9/12-24'	TOLERANCE UNLESS OTHERWISE SPECIFIED	MATERIAL:				
②	Enya	1/8-13'	ECN13004-0	ENGINEER:	9/12-24'	.X ± 0.25/.010 X.* ± 1'	FINISH:	DRAWING NO.	CI2131SE	PART NO.	CI21T021PE0
①	Karen	5/11-12'	ECR12033-0	CHECKED BY:	9/12-24'	.XX ± 0.15/.006 X.* ±		SCALE	5 / 1	SHEET	1 OF 1
				APPROVED BY:	9/12-24'	.XXX ± 0.08/.004 .XX.* ±					

CviLux Corp  
 2024/09/13  
 ISSUED