

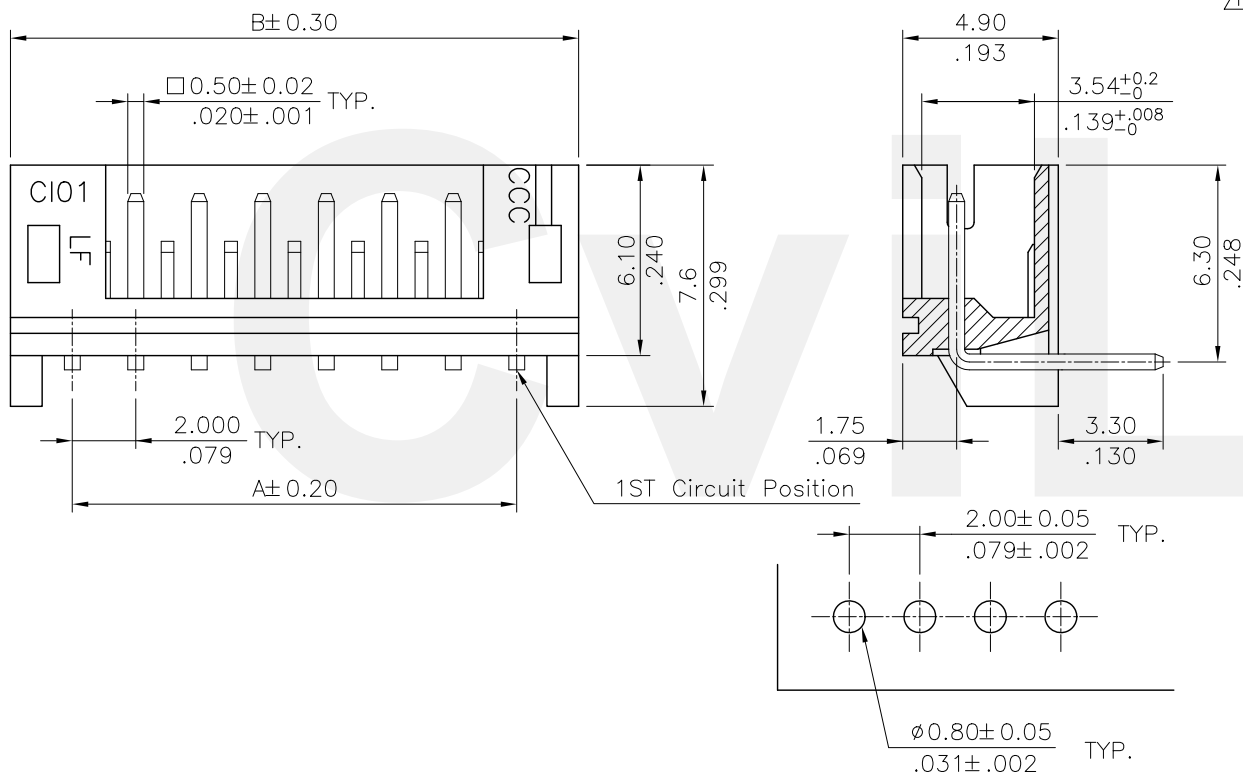
Note:

1. Material:
 - ⚠ * Insulation: High Temperature Plastic
UL 94V-0 Color Nature
 - * Contact: Brass
2. For Lead Free Wave flow Process

Ordering Code:

CI01 ** P 1 H 00 - LF
 ① ② ③ ④ ⑤ ⑥ ⑦

- ① Series No.
- ② No. of Circuits:
- ③ P= Pin header
- ④ Plating: 1= 3.05μm(120μ") Min. Tin over
0.76μm(30μ") Nickel (Matte Tin Finish)
- ⑤ Type:H= Right angle
- ⑥ Other option: 00= Without Pin Kinked
- ⚠ ⑦ -LF= For Lead Free Wave Flow Process



Circuits	Dimension		
	A	B	C
2	2.00(.079)	6.0(.236)	4.90(.193)
3	4.00(.157)	8.0(.315)	6.90(.272)
4	6.00(.236)	10.0(.394)	8.90(.350)
5	8.00(.315)	12.0(.472)	10.90(.429)
6	10.00(.394)	14.0(.551)	12.90(.508)
7	12.00(.472)	16.0(.630)	14.90(.587)
8	14.00(.551)	18.0(.709)	16.90(.665)
9	16.00(.630)	20.0(.787)	18.90(.774)
10	18.00(.709)	22.0(.866)	20.90(.823)
11	20.00(.787)	24.0(.945)	22.90(.902)
12	22.00(.866)	26.0(1.024)	24.90(.980)
13	24.00(.945)	28.0(1.102)	26.90(1.059)
14	26.00(1.024)	30.0(1.181)	28.90(1.138)
15	28.00(1.102)	32.0(1.260)	30.90(1.217)
16	30.00(1.181)	34.0(1.338)	32.90(1.295)

Recommended P.C. Board Layout

Lead Free Process

RoHS Compliant

④						DATE	UNIT: mm / inch	TITLE: 2.00MM(.079") RIGHT ANGLE HEADER	瀚荃股份有限公司 CviLux Corporation
③	Enya	4/12-13	ECN13075-0/ECR13027-0	2013.05.07	DRAWN BY: Enya	4/12-13'	TOLERANCE UNLESS OTHERWISE SPECIFIED	MATERIAL:	
②	Enya	3/7-13'	ECN13056-0/ECR13007-1	ISSUED	ENGINEER: Eisley	4/15-13'	.X ± 0.30/012 X' ± 1"	FINISH:	DRAWING NO. CI0149SC PART NO. CI01**P1H00-LF
①	Karen	5/24-10'	ECN10126		CHECKED BY: Eisley	4/15-13'	.XX ± 0.20/008 .X' ±		SCALE 4 / 1 SHEET 1 OF 1
SYM	NAME	DATE	REVISIONS		APPROVED BY: David	4/15-13'	.XXX ± 0.10/004 .XX ±		