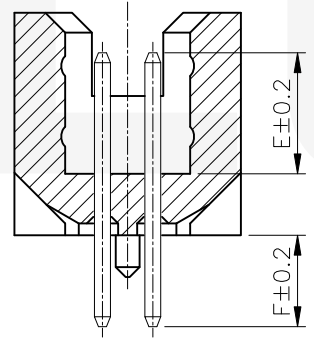
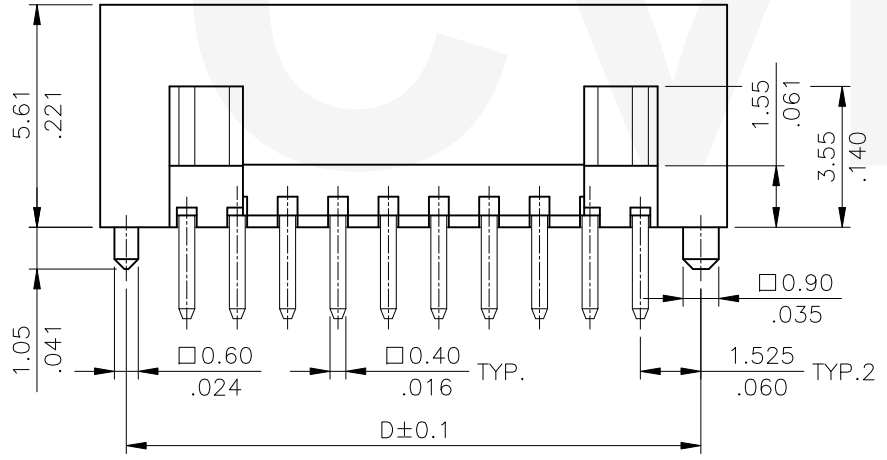


Recommended P.C. Boarded Layout



DIM. A = 1.27 X No. of Spaces  
 DIM. B = DIM. A + 4.38  
 DIM. C = DIM. A + 1.88  
 DIM. D = DIM. A + 3.05

△2 \* Available in 10 through 60 Circuits

Material:

- △1 \* Insulator: High temperature plastic, UL 94V-0 Color Black
- \* Square Pin: Brass

Ordering Code:

CHC2 \*\* \* V 1 \*\* - 2  
 ① ② ③ ④ ⑤ ⑥ ⑦

- ① Series No.
- △2 ② No. of Contact: 10 to 60
- ③ Plating code:  
 2= Gold Flash plated over 1.27μm(50μ") Nickel  
 3= 0.38μm(15μ") Gold plated over 1.27μm(50μ") Nickel  
 4= 0.76μm(30μ") Gold plated over 1.27μm(50μ") Nickel
- ④ Tail & Mounting Style:  
 V= Straight DIP Type
- ⑤ Insulator Material & Color:  
 1= High temperature plastic, Color Black
- ⑥ Option Code:  
 See Table PDF. File No. CHC205T
- ⑦ Pin Size:  
 2= 0.4 Square Pin

Lead Free Process      RoHS Compliant

△4					DATE	UNIT: mm / inch	TITLE: 1.27mm(.050") SQUARE PIN BOX HEADER(DIP TYPE)	
△3	Sun	10/02-18'	ECNT118206/ECRB118039		DRAWN BY: Sun	10/3-18'	MATERIAL:	
△2	Ken	11/7-16'	ECNT116270/ECRT116079		ENGINEER: Sun	10/3-18'		TOLERANCE UNLESS OTHERWISE SPECIFIED .X ± 0.25/.010 X' ± 1" .XX ± 0.15/.006 .X' ± .XXX ± 0.08/.003 .XX' ±
△1	Sandy	3/20/08'	ECN08141/ECR08030-1		CHECKED BY: Easley	10/4-18'		
SYM	NAME	DATE	REVISIONS	APPROVED BY: Easley	10/4-18'			

		瀚荃股份有限公司 CviLux Corporation	
DRAWING NO.	CHC205SD	PART NO.	CHC2***V1**-2
SCALE	5 / 1	SHEET	1 OF 1