

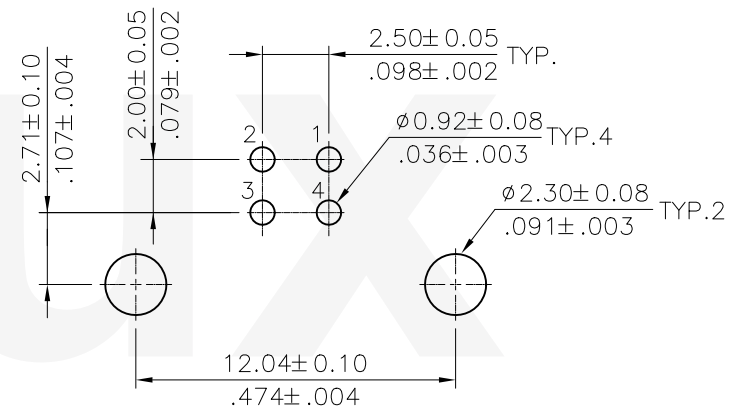
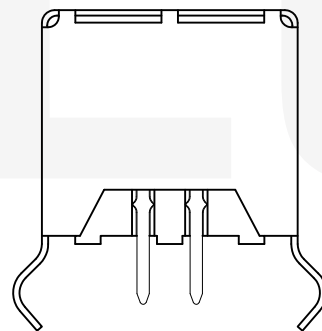
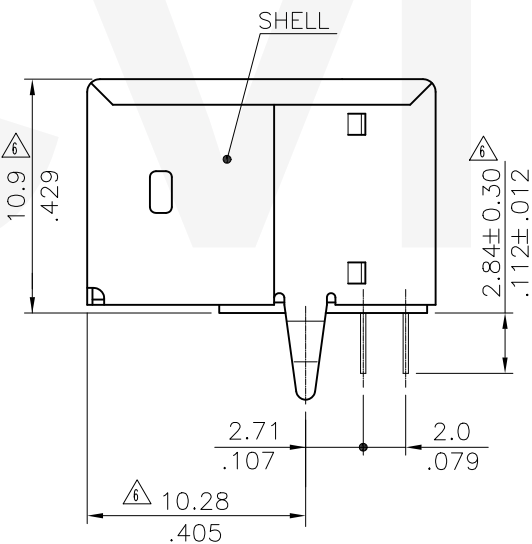
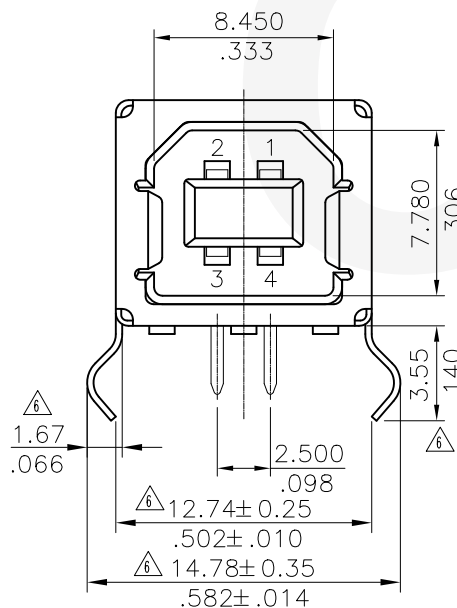
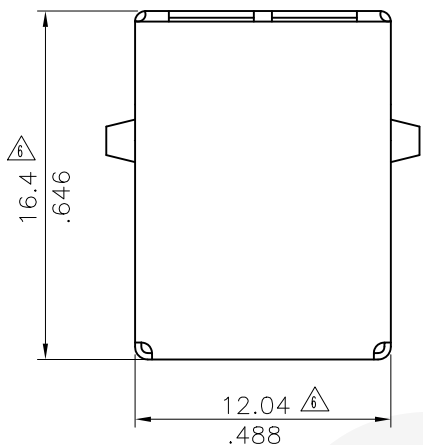
Ordering Code:

CU02 S A H 0 000
 ① ② ③ ④ ⑤ ⑥

- ① Series No.
- ② S= Socket
- ③ Plating option:
 A= Selective Gold flash plated over 1.27μm(50 μin) Nickel
 C= Selective 0.76μm(30 μin) Gold plated over 1.27μm(50 μin) Nickel
- ④ H= Right angle
- ⑤ Insulator Color: 1= Black, 0= White
- ⑥ Option: 000= Standard

Materials :

Insulator: Glass filled polyester UL 94V-0
 Contacts: Phosphor Bronze
 Shell: Brass With Nickel plated



Recommended P.C. Board Layout

Lead Free Process

RoHS Compliant

⑥	Sun	11/26/07	ECR07090-1/ECN07486		DATE	UNIT: mm / inch	TITLE: U.S.B TYPE B RIGHT ANGLE BOARD MOUNT SOCKET	瀚荃股份有限公司 CviLux Corporation	
⑤	Sandy	3/28-07	ECN07109		DRAWN BY: Sun	9/29-17'	TOLERANCE UNLESS OTHERWISE SPECIFIED		MATERIAL:
④	Sandy	1/16/06	ECN06495/ECR06080-1		ENGINEER: Sun	9/29-17'	.X ± 0.30/.012 .X' ± 1'		FINISH:
③	Hank	11/8/06	ECN06412		CHECKED BY: Eisley	9/30-17'	.XX ± 0.20/.008 .X' ±	DRAWING NO. CU0202SO	PART NO. CU02S*H*000
SYM	NAME	DATE	REVISIONS		APPROVED BY: Eisley	9/30-17'	.XXX ± 0.10/.004 .XX' ±	SCALE 2 / 1	SHEET 1 OF 1