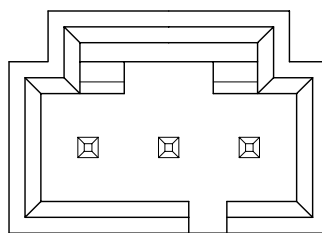
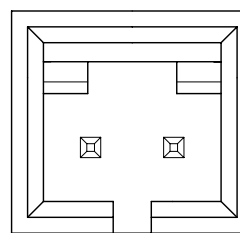


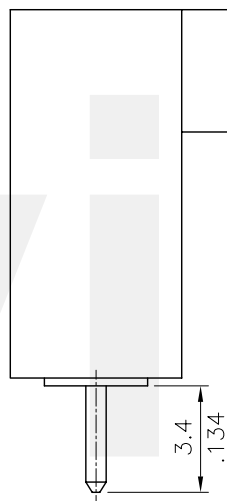
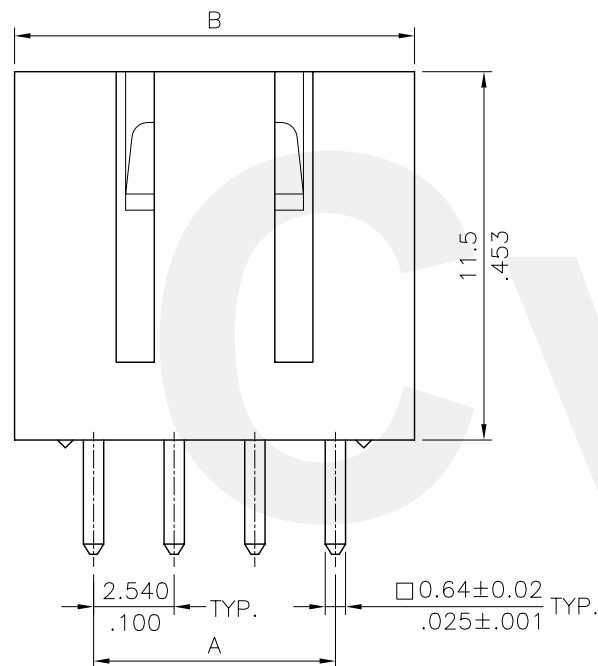
For 4 Through 12 Circuits



For 3 Circuits



For 2 Circuits



A = 2.54 x No. of Spaces

B = A + 5.1

C = A + 2.98

\* Available in 2 through 18 circuits

Material:

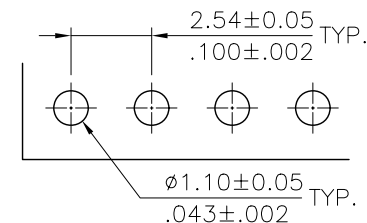
\* Insulation: Glass filled polyester UL 94V-0

\* Contact: Brass

Ordering Code:

CI33 \*\* P 1 V 1 0  
 ① ② ③ ④ ⑤ ⑥ ⑦

- ① Series No.
- ② No. of Circuits
- ③ Contact type: P= Pin header
- ④ Plating option:
  - 1= 3.05 $\mu$ m(120 $\mu$ " ) Min. Tin over 0.76 $\mu$ m(30 $\mu$ " ) Nickel
  - 2= Gold flash plated over 1.27 $\mu$ m(50 $\mu$ " ) Nickel
  - 3= 0.38 $\mu$ m(15 $\mu$ " ) Gold plated over 1.27 $\mu$ m(50 $\mu$ " ) Nickel
  - 4= 0.76 $\mu$ m(30 $\mu$ " ) Gold plated over 1.27 $\mu$ m(50 $\mu$ " ) Nickel
- ⑤ Tail Style: V= Straight
- ⑥ Color: 1= Black
- ⑦ Option:



Recommended P.C. Board Layout

RoHS Compliant

④						DATE	UNIT: mm / inch	TITLE: 2.54MM(.100") STRAIGHT PIN HEADER	 瀚荃股份有限公司 CviLux Corporation	
③			DRAWN BY: Eisley		07/29-02'	TOLERANCE UNLESS OTHERWISE SPECIFIED		MATERIAL:		
②			ENGINEER: David		07/29-02'	.X ± 0.30/.012	X' ± 1"			
①			CHECKED BY: David		07/29-02'	.XX ± 0.20/.008	.X' ±	FINISH:		
SYM	NAME	DATE	REVISIONS		APPROVED BY: Alex	07/30-02'	.XXX ± 0.10/.004	.XX' ±	DRAWING NO. CI3303SE	PART NO. CI33**P*V10
									SCALE 4 / 1	SHEET 1 OF 1