

Ordering Code

△△ CF23 ** * D 0 * 0 -NH
 ① ② ③ ④ ⑤ ⑥ ⑦ ⑧

- ① Series No.
- ② No. of Circuits
- ③ Plating code:
 1= 3.05μm(120μ") Min. Tin
 over 0.76μm(30μ") Nickel(Matte Tin Finish)
 2= Gold flash plated over 50μ"min. Nickel
- ④ Contact style: D= Downside contact
- ⑤ Color: 0= Nature
- ⑥ Packing option: R= Tape & Reel
 T= Tube Packing
- △⑦ Option: 0= With Logo (Standard)
- ⑧ Other option:
 -NH= For Lead Free IR Processes
 and Halogen-Free


A = 0.50 * No. of Spaces
 B = A + 6.2
 C = A + 1.1

△△△ * Available in 5 through 40 circuits

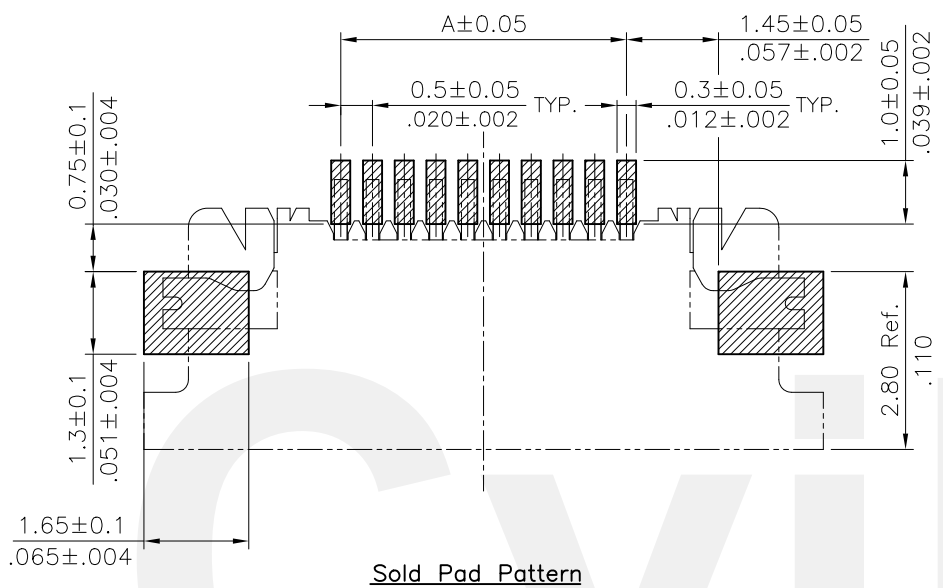
Notes :

- △ * Body : High temperature plastic UL 94V-0,
 Color Nature
- △ * Slider : High temperature plastic UL 94V-0,
 Color Black
- * Contact : Phosphor Bronze
 With Matte Tin plated
- * Fixed tab : Brass, with Matte Tin plated
- * For Lead-Free IR Reflow process

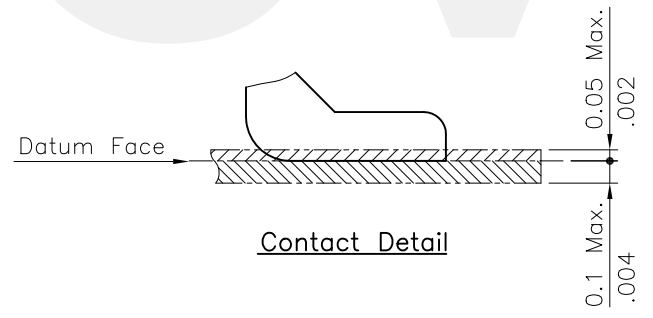
Halogen-Free
 Lead Free Process
 RoHS Compliant

△4	Karen	4/03-15'	ECNT115075/ECRT115016		DATE	UNIT: mm / inch	TITLE: 0.50mm(.031") ZIF FFC/FPC DOWNSIDE CONTACT SLIM SURFACE MOUNT CONNECTOR	 瀚荃股份有限公司 CviLux Corporation
△3	Steven	4/8-11'	ECR11021-0/ECN11065	DRAWN BY: Karen	4/7-15'	TOLERANCE UNLESS OTHERWISE SPECIFIED		
△2	Sun	10/20-09'	ECR09127-0/ECN09459	ENGINEER: Sun	4/7-15'	.X ± 0.15/.006 X' ± 1'	MATERIAL:	DRAWING NO. CF2330SE PART NO. CF23***D0*0-NH
△1	Karen	7/01-09'	ECN09276	CHECKED BY: Eisley	4/7-15'	.XX ± 0.10/.004 .X' ±		
SYM	NAME	DATE	REVISIONS	APPROVED BY: Eisley	4/7-15'	.XXX ± 0.05/.002 .XX' ±	SCALE	8 / 1 SHEET 1 OF 3

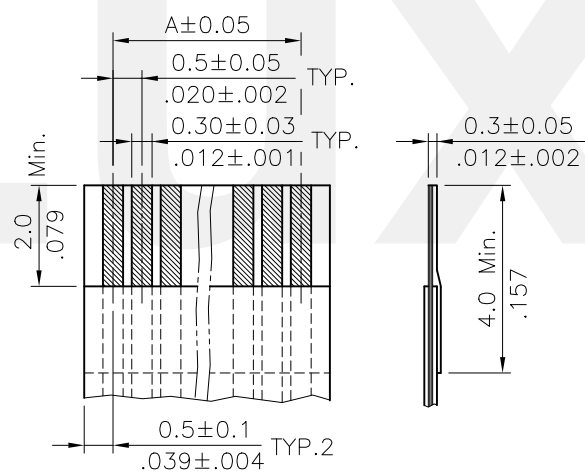
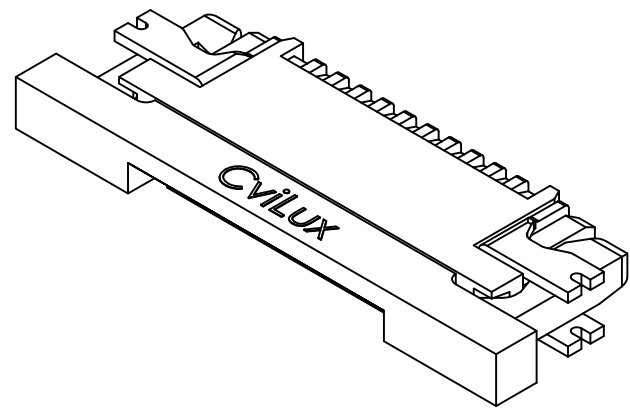
CVILUX CORP
 2015.04.09
 ISSUED



Sold Pad Pattern



Contact Detail



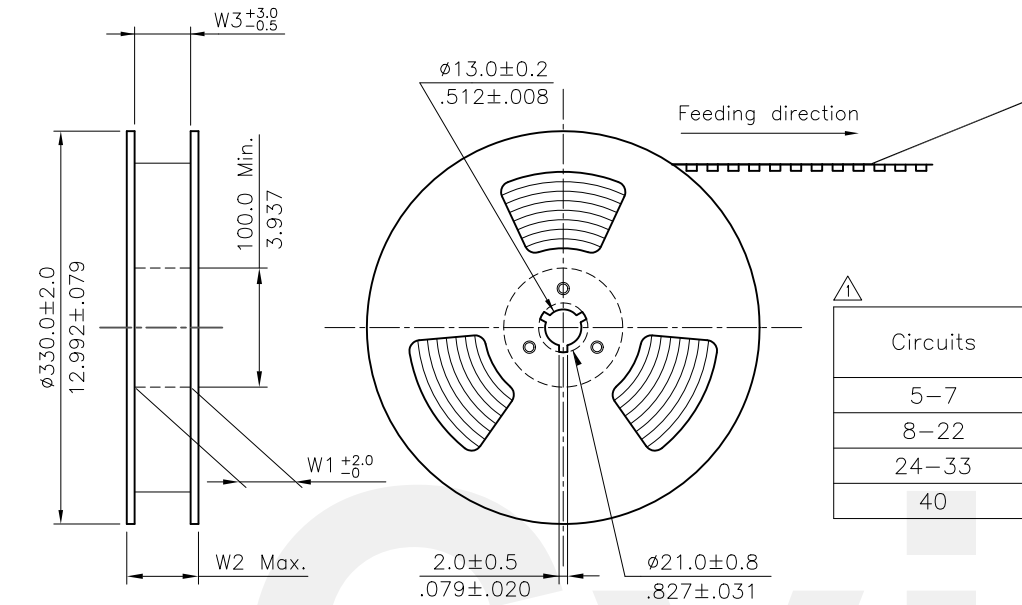
Accommodated FFC/FPC

Halogen-Free
Lead Free Process
RoHS Compliant

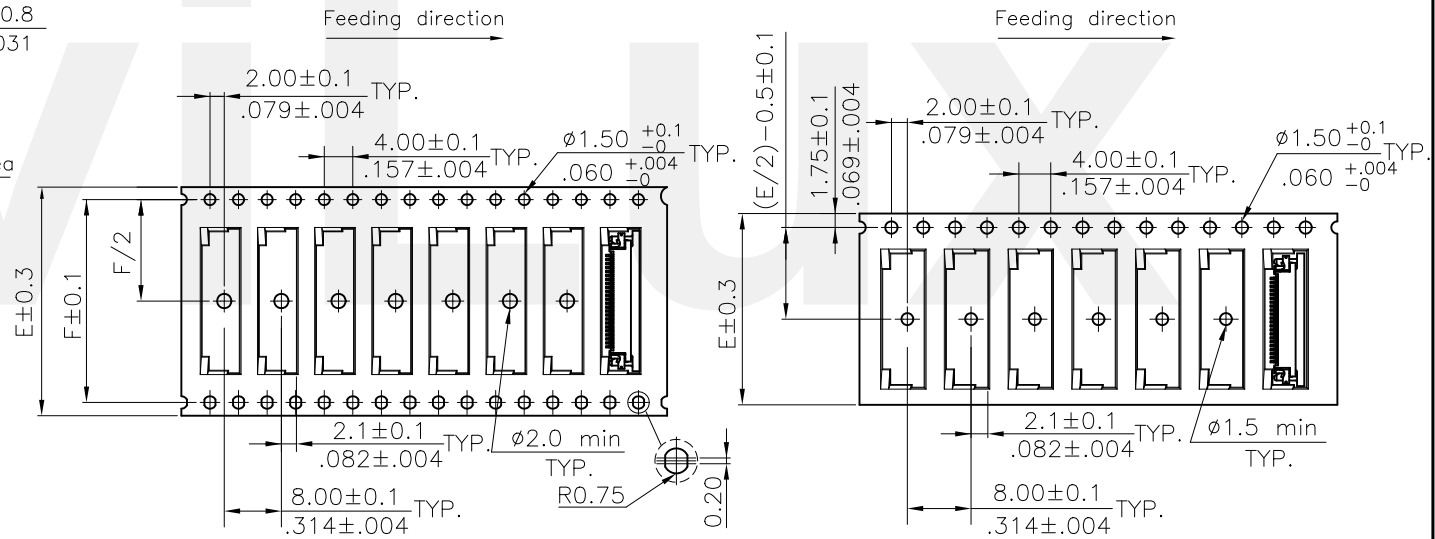
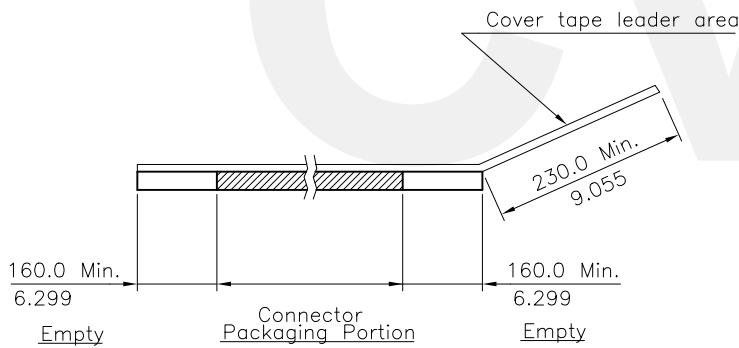
4	Karen	4/03-15'	ECNT115075/ECRT115016	 2015.04.09 ISSUED		DATE	UNIT: mm / inch	TITLE: 0.50mm(.031") ZIF FFC/FPC DOWNSIDE CONTACT SLIM SURFACE MOUNT CONNECTOR MATERIAL: FINISH:	瀚荃股份有限公司 CviLux Corporation	DRAWING NO.	CF2330SE	PART NO.	CF23***D0*0-NH			
3	Steven	4/8-11'	ECR11021-0/ECN11065		DRAWN BY:	Karen	4/7-15'			TOLERANCE UNLESS OTHERWISE SPECIFIED	SCALE	8 / 1	SHEET	2	OF	3
2	Sun	10/20-09'	ECR09127-0/ECN09459		ENGINEER:	Sun	4/7-15'			.X ± 0.15/.006	.X' ± 1"					
5	Karen	7/01-09'	ECN09276		CHECKED BY:	Eisley	4/7-15'			.XX ± 0.10/.004	.X' ±					
SYM	NAME	DATE	REVISIONS		APPROVED BY:	Eisley	4/7-15'			.XXX ± 0.05/.002	.XX' ±					

NOTES:

1. 10 sprocket hole pitch cumulative tolerance ± 0.20 .
2. Carrier camber is within 1 mm in 250 mm.
3. Material : Clear,Transparent Polystyrene Alloy (UP-6000).
4. All dimensions meet EIA-481-B requirements.
5. Thickness : 0.40 ± 0.05 mm.
6. Packing length per 22" reel : 98.5 Meters.
7. Component load per 13" reel : 4000 pcs.



Circuits	Dimension					Packing (Reel/Caton)
	E	F	W1	W2	W3	
5-7	16.0(.630)	-	16.5(.650)	22.5(.886)	16.5(.650)	11
8-22	24.0(.945)	-	24.5(.965)	30.5(1.201)	24.5(.965)	9
24-33	32.0(1.260)	28.40(1.118)	32.5(1.280)	38.5(1.516)	32.5(1.280)	7
40	44.0(1.732)	40.40(1.596)	44.5(1.751)	50.4(1.984)	44.5(1.751)	5



WIDTH : 32.44 mm Carrier

WIDTH : 16.24 mm Carrier

RoHS Compliant

4	Karen	4/03-15'	ECNT115075/ECRT115016		DATE	UNIT: mm / inch	TITLE: 0.50mm(.031") ZIF FFC/FPC DOWNSIDE CONTACT SLIM SURFACE MOUNT CONNECTOR MATERIAL: FINISH:	瀚荃股份有限公司 CviLux Corporation	
3	Steven	4/8-11'	ECR11021-0/ECN11065		DRAWN BY: Karen	4/7-15'			TOLERANCE UNLESS OTHERWISE SPECIFIED
2	Sun	10/20-09'	ECR09127-0/ECN09459		ENGINEER: Sun	4/7-15'			.X ± .X' ± 1'
1	Karen	7/01-09'	ECN09276		CHECKED BY: Eisley	4/7-15'			.XX ± .X ±
SYM	NAME	DATE	REVISIONS		APPROVED BY: Eisley	4/7-15'			.XXX ± .XX ±
								DRAWING NO. CF2330SE	PART NO. CF23***D0*0-NH
								SCALE	SHEET 3 OF 3