

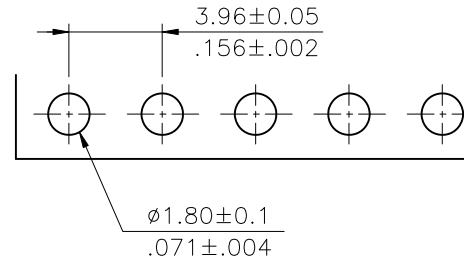
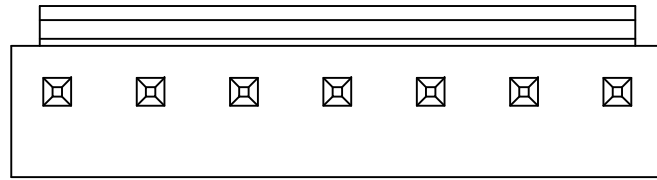
Notes:

- Material:
Insulation: Nylon 6 UL 94V-2 Color Nature
Contact: Brass
- Glow wire requirement:
IEC 60695-2-12 GWFI 960°C@0.38mm & 930°C@0.75mm
& 960°C@1.50mm & 960°C@3.00mm
IEC 60695-2-11 GWEPT 750°C ≤2S

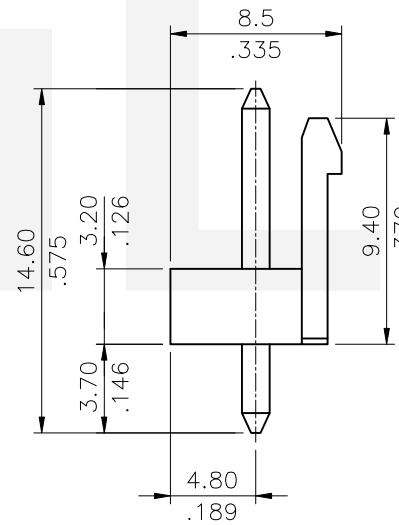
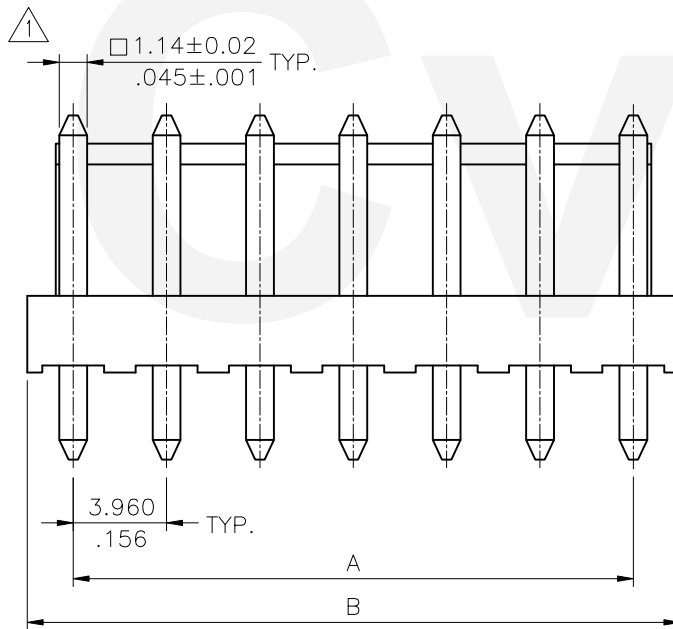
Ordering Code:

CI52 ** P 1 V OM
① ② ③ ④ ⑤ ⑥

- Series No.
- No. of Circuits:
- P= Pin header
- Plating: 1= 3.05μm(120μ") Min. Tin over 0.76μm(30μ") Nickel
2= Gold flash plated over 1.27μm(50μ") Nickel
3= 0.38μm(15μ") Gold plated over 1.27μm(50μ") Nickel
4= 0.76μm(30μ") Gold plated over 1.27μm(50μ") Nickel
- Type: V= Straight
- Other option: OM= Standard (Glow wire available)





Recommended P.C. Board Layout



Circuits	Dimension	
	A	B
2	3.96(.156)	7.8(.307)
3	7.92(.312)	11.8(.465)
4	11.88(.468)	15.8(.622)
5	15.84(.624)	19.7(.776)
6	19.80(.780)	23.7(.933)
7	23.76(.936)	27.6(1.087)
8	27.72(1.091)	31.6(1.244)
9	31.68(1.247)	35.5(1.398)
10	35.64(1.403)	39.5(1.555)
11	39.60(1.559)	43.5(1.713)
12	43.56(1.715)	47.4(1.866)

Tin-Lead Process

RoHS Compliant

④					DATE	UNIT: mm / inch	TITLE: 3.96MM(.156") STRAIGHT HEADERS	 瀚荃股份有限公司 CviLux Corporation	
③					DRAWN BY: Kenny	TOLERANCE UNLESS OTHERWISE SPECIFIED	MATERIAL:		
②	Kenny	8/26-20'	ECNT120227		ENGINEER: Sun	.X ± 0.38/.015 X' ± 1'	FINISH:	DRAWING NO. CI5267SC PART NO. CI52**P*VOM	
①	Bill	2/19/08'	ECN08053		CHECKED BY: Eisley	9/1-20'	.XX ± 0.25/.010 .X' ±	SCALE 3 / 1	SHEET 1 OF 1
SYM	NAME	DATE	REVISIONS		APPROVED BY: Eisley	9/4-20'	.XXX ± 0.10/.004 .XX' ±		