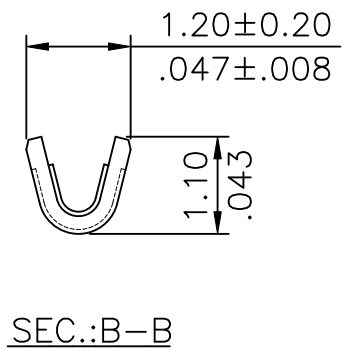
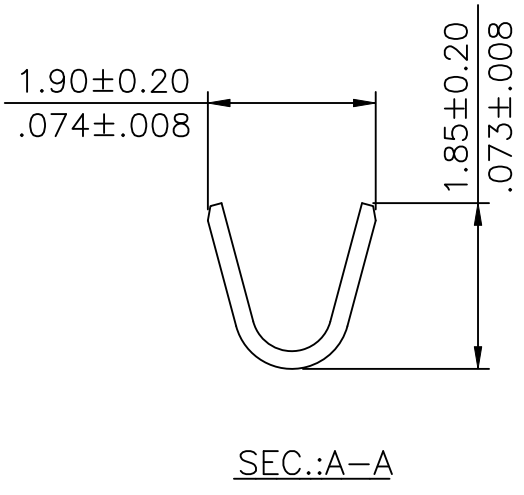
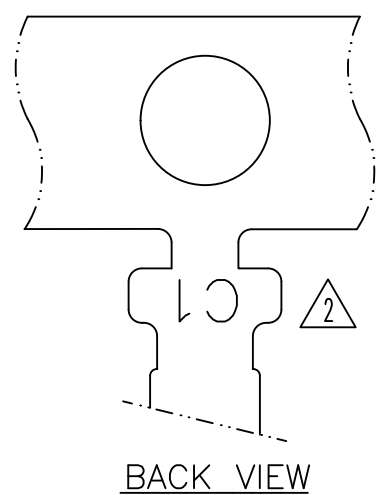
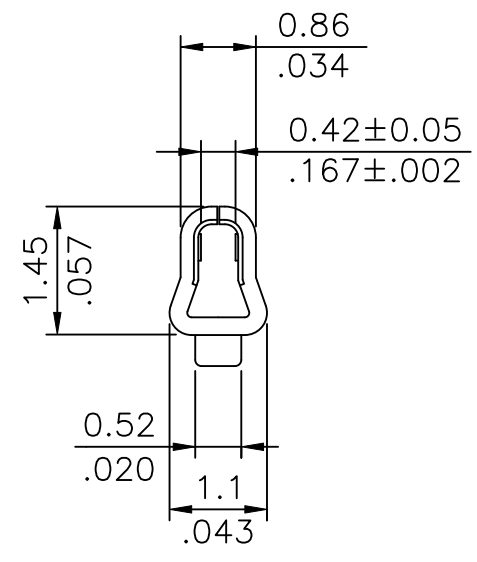


Wire Range	Insulation Diameter	Reel Q'ty
AWG #26~#32	1.10 (.043) MAX.	15,000 PCS.


Ordering Code:

CI15 T01 1 P E 0
 ① ② ③ ④ ⑤ ⑥

- ① Series No.
- ② Type: T01= AWG #26~ #32
- ③ Plating:
1 = 30μ" Min. Tin Plated (Reflow Plated)
- ④ Material: P= Phosphor Bronze
- ⑤ Plating method: E= Pre-tinned
- ⑥ Option: 0= Standard



RoHS Compliant

REV	SYM	NAME	DATE	REVISIONS	APPROVED BY:	DATE	UNIT:	TITLE:	 瀚荃股份有限公司 CviLux Corporation
5	Jack	11/16-23'	ECNT123267				mm / inch	FOR CI15 Series terminal	
4	Sun	1/20-22'	ECRH122001/ECNT122006		DRAWN BY: Jack	11/16-23'	TOLERANCE UNLESS OTHERWISE SPECIFIED	MATERIAL:	
3	Ellie	1/9-15'	ECNT115004		ENGINEER: Sun	11/16-23'			
2	Erin	5/7-12'	ECR12021-0/ECN12074-0		CHECKED BY: Eisley	11/16-23'	.XX ± 0.10/.004	.X' ±	DRAWING NO. CI1511SF
					APPROVED BY: Eisley	11/16-23'	.XXX ± 0.05/.002	.XX' ±	PART NO. CI15T011PEO
									SCALE 8 / 1
									SHEET 1 OF 1

CviLux Corp
 2023/11/17
 ISSUED