

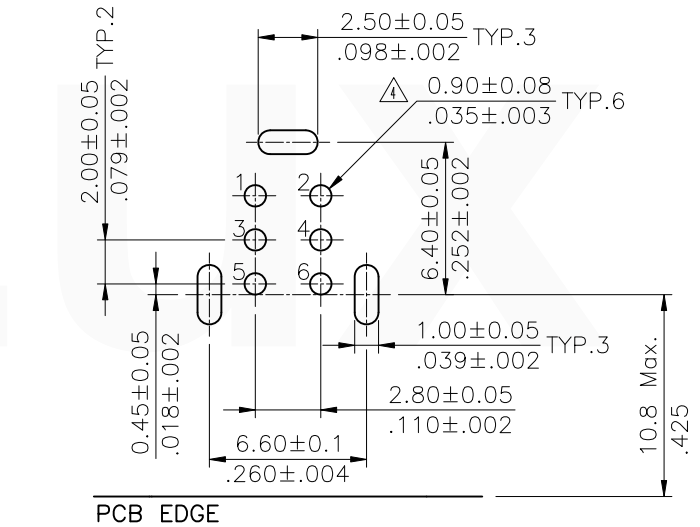
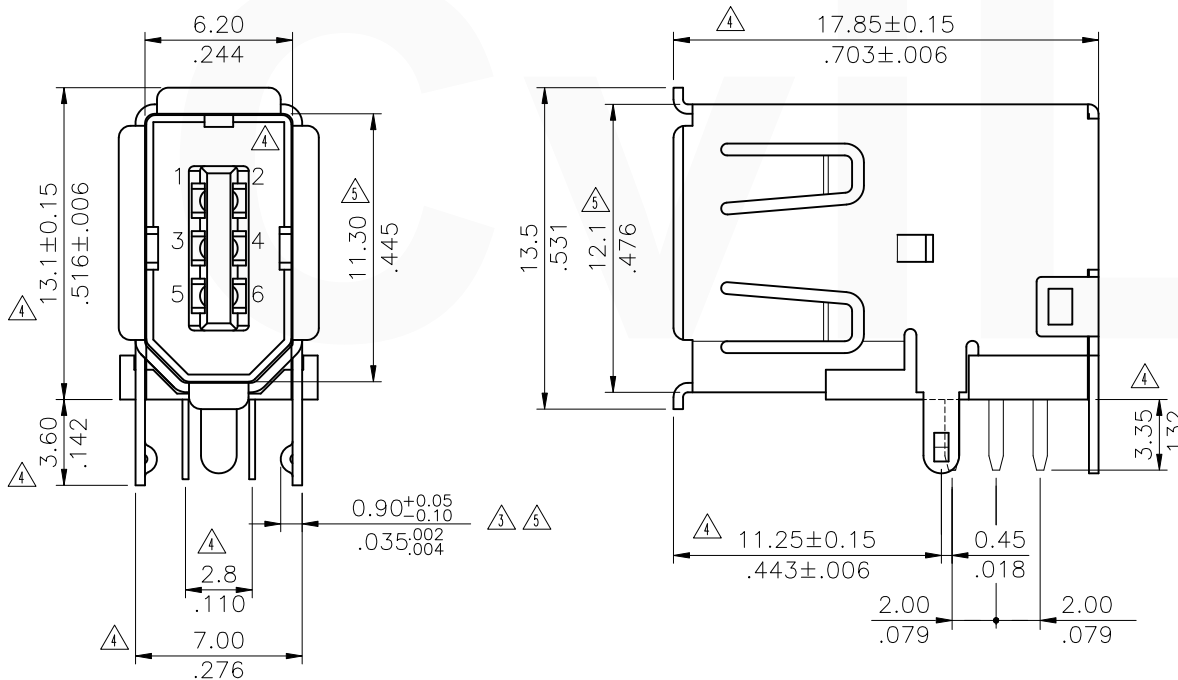
Material:

- \* Insulation: Glass filled polyester UL 94V-0
- \* Contact: Brass
- \* Shell: Brass
- ⚠ \* Shell Plating: 80μ Nickel over 50μ Cu

Ordering Code:

CU05 S C H 1 U 00  
 ① ② ③ ④ ⑤ ⑥ ⑦


- ① Series No.
- ② S= Socket
- ③ Plating option:  
C= Selective 0.76μm(30μ") Gold plated over 1.27μm(50μ") Nickel
- ④ Tail Style: H= Right angle
- ⑤ Insulator color: 0= White, 1= Black, 9= Gary
- ⑥ Type: U= Upright type
- ⑦ Option: 00= Standard



Recommended P.C. Board Layout

Lead Free Process

RoHS Compliant

⑤	Sun	9/04-19'	ECRT119030/ECNT119237		DATE	UNIT: mm / inch	TITLE: IEEE 1394 UPRIGHT R/A DIP RECEPTACLE CONNECTOR	 瀚荃股份有限公司 CviLux Corporation
④	Karen	11/29-17'	ECNT117242/ECRT117073	DRAWN BY: Sun	9/4-19'	TOLERANCE UNLESS OTHERWISE SPECIFIED	MATERIAL:	
③	Sandy	5/20-14'	ECRT114028/ECNT114095	ENGINEER: Sun	9/4-19'	.X ± 0.30/.012 X' ± 1'	FINISH:	DRAWING NO. CU0502SJ PART NO. CU05SCH*U00
②	Sun	7/01/05'	ECR05062-0/ECN05231	CHECKED BY: Eisley	9/6-19'	.XX ± 0.20/.008 X' ±		SCALE 3 / 1 SHEET 1 OF 1
SYM	NAME	DATE	REVISIONS	APPROVED BY: Eisley	9/6-19'	.XXX ± 0.10/.004 XX' ±		

