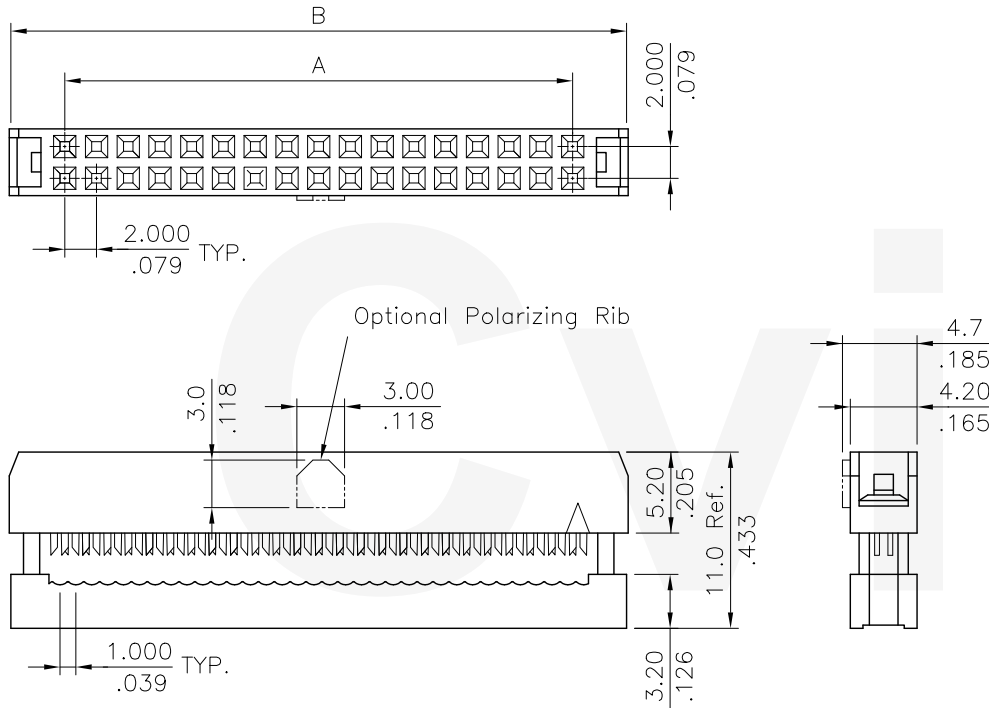


Material:

\* Insulation: Glass filled polyester UL 94V-0

\* Contact: Phosphor Bronze



Circuits	Dimension		Circuits	Dimension	
	A	B		A	B
6	4.00(.157)	11.2(.441)	30	28.00(1.102)	35.2(1.386)
8	6.00(.236)	13.2(.520)	32	30.00(1.181)	37.2(1.465)
10	8.00(.315)	15.2(.598)	34	32.00(1.260)	39.2(1.543)
12	10.00(.394)	17.2(.677)	36	34.00(1.339)	41.2(1.622)
14	12.00(.472)	19.2(.756)	40	38.00(1.496)	45.2(1.780)
16	14.00(.551)	21.2(.835)	44	42.00(1.654)	49.2(1.937)
20	18.00(.709)	25.2(.992)	50	48.00(1.890)	55.2(2.173)
22	20.00(.787)	27.2(1.071)	60	58.00(2.283)	65.2(2.567)
24	22.00(.866)	29.2(1.150)	64	62.00(2.441)	69.2(2.724)
26	24.00(.945)	31.2(1.228)			

### Ordering Code:

CA11 \*\* S A 1 00  
 ① ② ③ ④ ⑤ ⑥

- ① Series No.
- ② No. of Circuits :
- ③ S= Receptacle
- ④ Plating option :
  - A= Selective Gold flash plated over 1.27μm(50μ") Nickel
  - B= Selective 0.38μm(15μ") Gold Plated over 1.27μm(50μ") Nickel
  - C= Selective 0.76μm(30μ") Gold plated over 1.27μm(50μ") Nickel
- ⑤ Color : 1= Black
- ⑥ Option : 00= With Polarizing Rib(Standard)  
 A0= Without Polarizing Rib

RoHS Compliant

SYM	NAME	DATE	REVISIONS	APPROVED BY:	DATE	UNIT: mm / inch	TITLE:	瀚荃股份有限公司 CviLux Corporation			
4							2.00MM(.079") IDC SOCKET	DRAWING NO.	CA1101SH	PART NO.	CA11**SA100
3	Enya	9/4-12'	ECN12218-0 / ECR12063-0	DRAWN BY:	Enya	9/04-12'	TOLERANCE UNLESS OTHERWISE SPECIFIED .X ± 0.30/.012 X' ± r .XX ± 0.20/.008 .X' ± .XXX ± 0.10/.004 .XX' ±	MATERIAL:	SCALE 2 / 1 SHEET 1 OF 1		
2	Enya	8/8-12'	ECN12187-0 / ECR12053-0	ENGINEER:	Eisley	9/03-12'		FINISH:			
1	JIM	9/19 06'	ECN06328	CHECKED BY:	Eisley	9/03-12'					
				APPROVED BY:	David	9/03-12'					

CVILUX CORP  
 2012.09.14  
 ISSUED