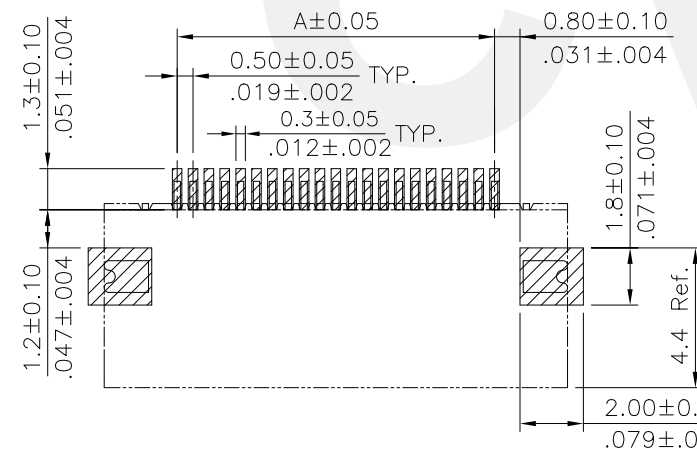
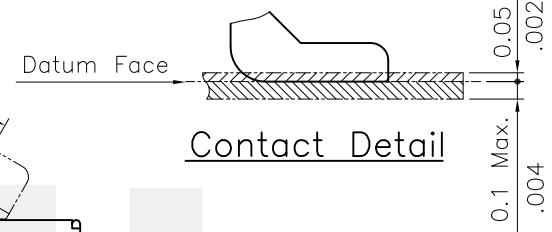
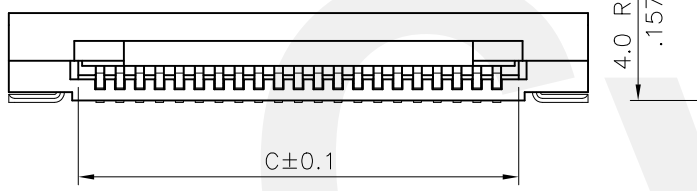


Material :

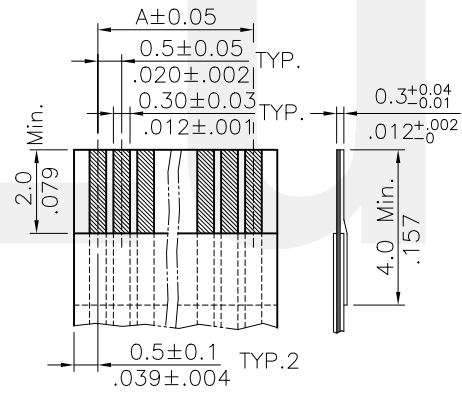
- * Body : Nylon 6T With 30% GF. UL 94V-0, Color Nature
- * Slider : Nylon 6T With 30% GF. UL 94V-0, Color Black
- * Contact : Phosphor Bronze
- * Fixed tab : Brass with Tin Plated

Ordering Code
 CF25 ** 1 D 0 *0 - 05 - NH
 ① ② ③ ④ ⑤ ⑥ ⑦ ⑧

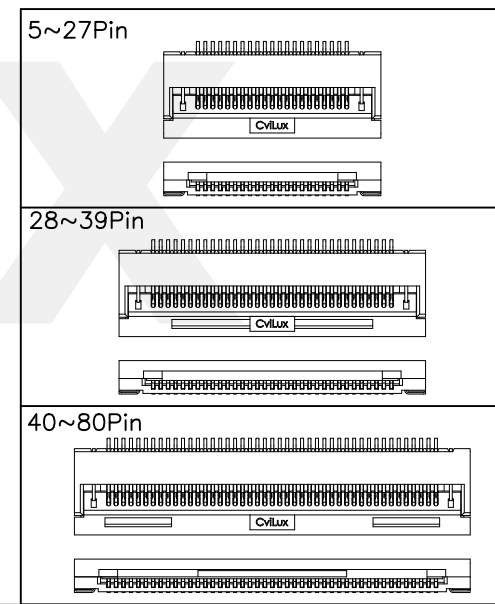
- ① Series No.
- ② No. of Circuits
- ③ Plating code:
 1= Matte Tin plated over Nickel
 2= Gold flash over 50u"min. Nickel
- ④ Contact style: D= Downside contact
- ⑤ Color: 0= Nature
- ⑥ Other option: R0= Tape & Reel
 T0= Tube Packing
- ⑦ Pitch: 05= 0.50 mm
- ⑧ -NH= For Lead Free IR Processes and Halogen-Free



DIM.A = 0.50 x No. of Spaces
 DIM.B = DIM.A + 4.6
 DIM.C = DIM.A + 1.1
 * Available in 5 through 80 circuits



Accommodated FFC/FPC



Recommended P.C. Board Layout

Halogen-Free Lead Free Process RoHS compliant

④					DATE	UNIT: mm / inch	TITLE: 0.50mm(.020") ZIF FFC/FPC ONE-TOUCH CONNECTOR
③					DRAWN BY: Sandy	2/23-16'	TOLERANCE UNLESS OTHERWISE SPECIFIED
②	Sandy	2/16-16'	ECNT116028/ECRB116002	ENGINEER: Sun	2/26-16'	.X ± 0.15/.006 .X' ± 1'	
①	Enya	11/06-12	ECN12272-0/ECR12080-1	CHECKED BY: Eisley	3/04-16'	.XX ± 0.10/.004 .X ±	MATERIAL:
SYM	NAME	DATE	REVISIONS	APPROVED BY: Eisley	3/04-16'	.XXX ± 0.05/.002 .XX ±	FINISH:
		SCALE	5 / 1	DRAWING NO. CF2520SC		PART NO. CF25***D0*0-05-NH	
		SHEET 1 OF 2					

