

Note:

1. Material:

\* Insulation: Nylon 66 UL 94V-0, Color Nature

\* Contact: Brass

△△ 2. For Lead Free Wave Flow Process

### Ordering Code:

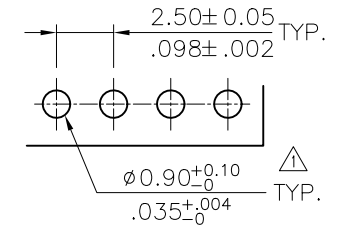
$\frac{CI21}{①}$ 
 $\frac{**}{②}$ 
 $\frac{P}{③}$ 
 $\frac{*}{④}$ 
 $\frac{V}{⑤}$ 
 $\frac{*0}{⑥}$

- ① Series No.
- ② No. of Circuits
- ③ Contact type: P= Pin header
- ④ Plating option:

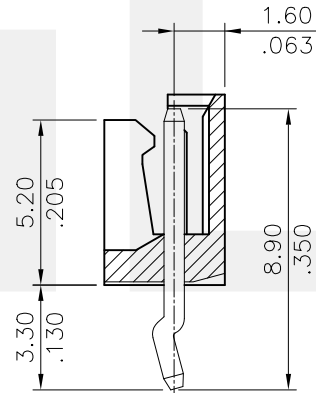
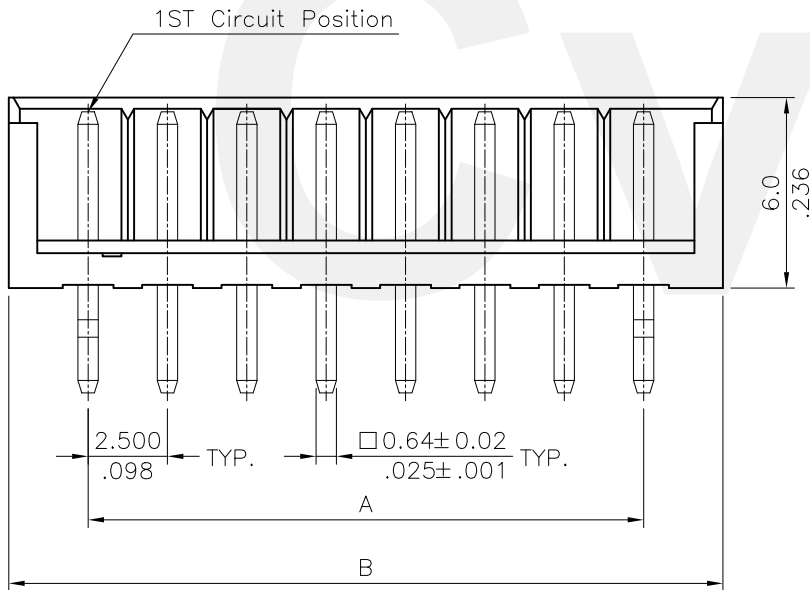
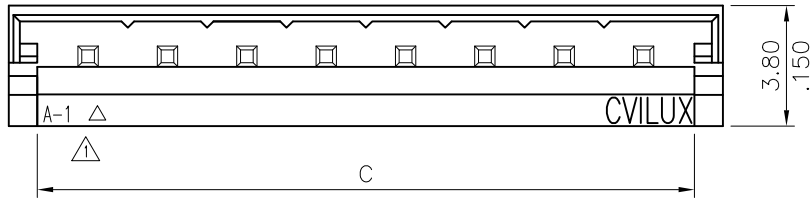
1= 3.05 $\mu$ m(120 $\mu$ " ) Min. Tin  
over 0.76 $\mu$ m(30 $\mu$ " ) Nickel

2= Gold Flash plated over  
1.27 $\mu$ m(50 $\mu$ " ) Nickel

- ⑤ Type: V= Straight
- ⑥ Other Option:  
K0= With Pin Kinked(Standard)  
00= Without Pin Kinked



**Recommended P.C. Board Layout**



Circuits	Dimension		
	A	B	C
2	2.50(.098)	7.5(.295)	5.70(.224)
3	5.00(.197)	10.0(.394)	8.20(.323)
4	7.50(.295)	12.5(.492)	10.70(.421)
5	10.00(.394)	15.0(.591)	13.20(.520)
6	12.50(.492)	17.5(.689)	15.70(.618)
7	15.00(.591)	20.0(.787)	18.20(.717)
8	17.50(.689)	22.5(.886)	20.70(.815)
9	20.00(.787)	25.0(.984)	23.20(.913)
10	22.50(.886)	27.5(1.083)	25.70(1.012)
11	25.00(.984)	30.0(1.181)	28.20(1.110)
12	27.50(1.083)	32.5(1.280)	30.70(1.209)
13	30.00(1.181)	35.0(1.378)	33.20(1.307)
14	32.50(1.280)	37.5(1.476)	35.70(1.406)
15	35.00(1.378)	40.0(1.575)	38.20(1.504)

**Halogen-Free**

**Lead Free Process**

**RoHS compliant**

SYM	NAME	DATE	REVISIONS	APPROVED BY:	DATE	UNIT: mm / inch	TITLE:	 瀚荃股份有限公司 CviLux Corporation
△4						UNIT: mm / inch	2.50MM(.098") STRAIGHT PIN HEADERS	
△3	Sun	7/20-17'	ECNT117146/ECRT117041	DRAWN BY: Sun	7/21-17'	TOLERANCE UNLESS OTHERWISE SPECIFIED	MATERIAL:	
△2	Enya	3/8-13'	ECN13056-0/ECR13007-1	ENGINEER: Sun	7/21-17'	.X ± 0.30/.012    .X' ± 1"		
△1	Sun	9/05-11'	ECR11046-1/ECN11199	CHECKED BY: Eisley	7/28-17'	.XX ± 0.20/.008    .X' ±		
				APPROVED BY: Eisley	7/28-17'	.XXX ± 0.10/.004    .XX' ±		

**2017.08.04**  
**ISSUED**