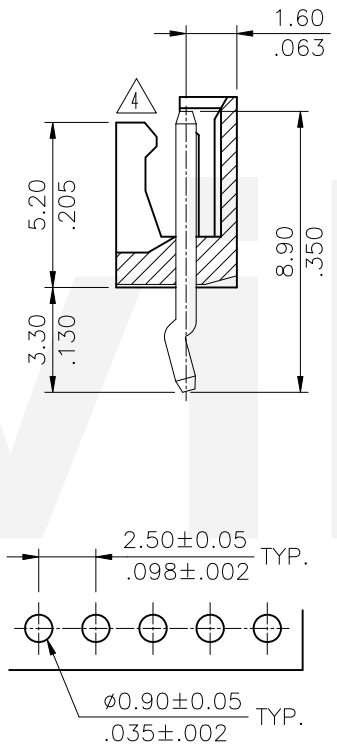


Note:
 1. Material:
 * Insulation: Nylon 46 UL 94V-0
 Color Nature
 * Contact: Brass
 ⚠ 2. For Lead Free Wave flow Process



Recommended P.C. Board Layout

Ordering Code:

CI21 ** P 1 V ** -LF
 ① ② ③ ④ ⑤ ⑥ ⑦

- ① Series No.
- ② No. of Circuits
- ③ Contact type: P= Pin header
- ④ Plating option:
 1= 3.05μm(120μ") Min. Tin
 over 0.76μm(30μ") Nickel (Mitte Tin finish)
 2= Gold Flash plated over 1.27μm(50μ") Nickel
- ⑤ Type: V= Straight
- ⚠ ⑥ Other Option: K0= With Pin Kinked(Standard)
 00= Without Pin Kinked
- ⑦ -LF= For Lead Free Wave flow Process

Circuits	Dimension		
	A	B	C
2	2.50(.098)	7.5(.295)	5.70(.224)
3	5.00(.197)	10.0(.394)	8.20(.323)
4	7.50(.295)	12.5(.492)	10.70(.421)
5	10.00(.394)	15.0(.591)	13.20(.520)
6	12.50(.492)	17.5(.689)	15.70(.618)
7	15.00(.591)	20.0(.787)	18.20(.717)
8	17.50(.689)	22.5(.886)	20.70(.815)
9	20.00(.787)	25.0(.984)	23.20(.913)
10	22.50(.886)	27.5(1.083)	25.70(1.012)
11	25.00(.984)	30.0(1.181)	28.20(1.110)
12	27.50(1.083)	32.5(1.280)	30.70(1.209)
13	30.00(1.181)	35.0(1.378)	33.20(1.307)
14	32.50(1.280)	37.5(1.476)	35.70(1.406)
15	35.00(1.378)	40.0(1.575)	38.20(1.504)

Lead Free Process
 RoHS Compliant

④	Kenny	8/24-20'	ECNT120222		DATE	UNIT: mm / inch	TITLE: 2.50MM(.098") STRAIGHT PIN HEADERS	 瀚荃股份有限公司 CviLux Corporation	
③	Ellie	10/9-14'	ECNT114228/ECRB114059		DRAWN BY: Kenny	8/24-20'	TOLERANCE UNLESS OTHERWISE SPECIFIED		MATERIAL:
②	Enya	3/8-13'	ECN13056-0/ECR13007-1		ENGINEER: Sun	8/25-20'	.X ± 0.30/.012 X' ± 1'		FINISH:
①	Una	12/23-10'	ECN10408		CHECKED BY: Easley	9/2-20'	.XX ± 0.20/.008 X' ±	DRAWING NO. CI2110SF PART NO. CI21**P*V**-LF	
SYM	NAME	DATE	REVISIONS		APPROVED BY: Easley	9/2-20'	.XXX ± 0.10/.004 .XX' ±	SCALE 4 / 1 SHEET 1 OF 1	