

Notes:

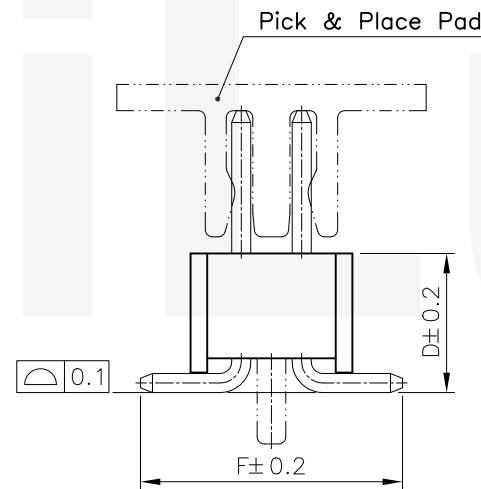
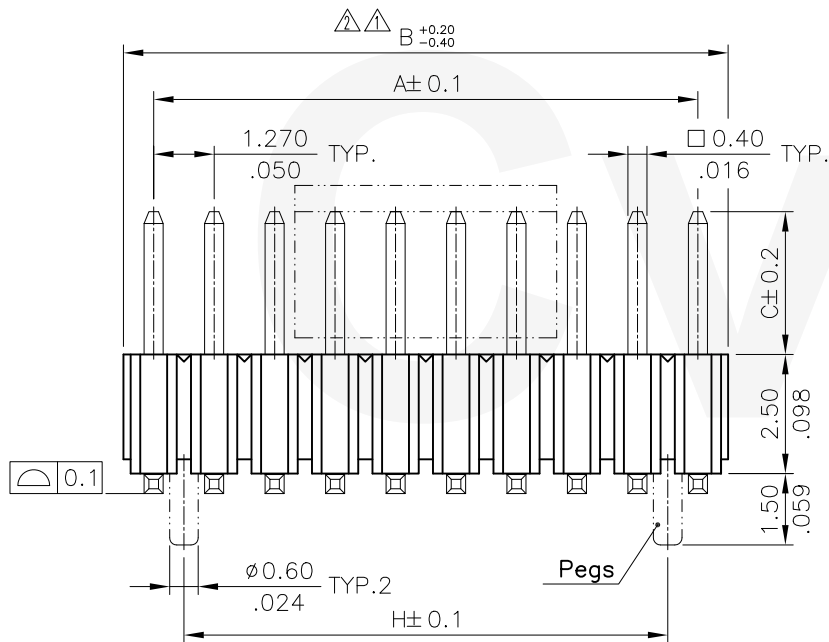
- \* Material:  
Insulator: Nylon 6T With 30% GF.  
UL 94V-0 Color Black  
Square Pin: Brass  
Pegs: Brass , Tin plated  
Pick & Place Pad:  
Nylon 6T UL 94V-0
- \* Pin overall Length 20.0mm Max.

Ordering Code:

CH52 \*\* \* M 1 \*\* - \* \*  
① ② ③ ④ ⑤ ⑥ ⑦ ⑧

- ① Series No.
- ② No. of Contact: 06 to 60
- ③ Plating code:  
2=Gold Flash plated over 1.27μm(50μ") Nickel  
3=0.38μm(15μ") Gold plated over 1.27μm(50μ") Nickel  
4=0.76μm(30μ") Gold plated over 1.27μm(50μ") Nickel
- ④ Tail & Mounting Style:  
M=Straight SMT Type
- ⑤ Insulator Material & Color:  
1=Nylon 6T , Color Black
- ⑥ Option Code:  
See Table PDF. File No. CH5203T
- ⑦ 0=Without Peg  
P=With Peg
- ⑧ 0=Without Pick & Place Pad  
(Tube packaged)  
P=With Pick & Place Pad  
(Tape & Reel packing)

Recommended P.C. Boarded Layout



DIM. A = 1.27 X No. of Spaces  
DIM. B = DIM. A + 1.27  
DIM. H = DIM. A - 1.27

\* Available in 6 through 60 Circuits

Lead Free Process

RoHS Compliant

④					DATE	UNIT: mm / inch	TITLE: 1.27mm(.050") DUAL ROW SURFACE BOARD MOUNT PIN HEADER	瀚荃股份有限公司 CviLux Corporation
③				DRAWN BY: Ken	4/12-17'	TOLERANCE UNLESS OTHERWISE SPECIFIED	MATERIAL:	
②	Ken	4/10-17'	ECNT117071/ECRB117010	ENGINEER: Sun	4/24-17'	.X ± 0.25/.010 X' ± 1"	FINISH:	
①	Sandy	08/27/04'	ECN04327	CHECKED BY: Eisley	5/03-17'	.XX ± 0.15/.006 .X' ±		
SYM	NAME	DATE	REVISIONS	APPROVED BY: Eisley	5/03-17'	.XXX ± 0.08/.003 .XX' ±		DRAWING NO. CH5203SD PART NO. CH52***M1**-**
								SCALE 6 / 1 SHEET 1 OF 1

