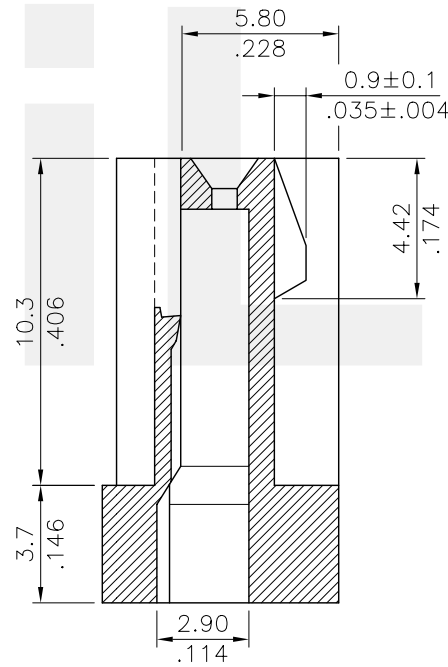
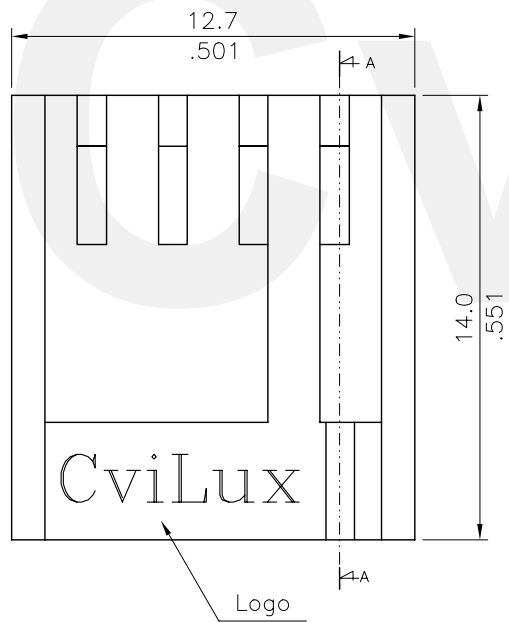


Bottom View



SEC.: A-A

\* Material: Nylon 66 UL 94V-0

Ordering Code:

CI35 04 S 00 \* 0  
 ① ② ③ ④ ⑤ ⑥

- ① Series No.
- ② No. of Circuits
- ③ S00= Connector housing
- ④ Rib option:  
00= Single Rib
- ⑤ Color option:  
0= Color Nature  
1= Color Black
- ⑥ Other option:  
0= Standard

Halogen-Free

RoHS Compliant

④				CVILUX.CORP 2005.12.30 ISSUED			DATE	UNIT: mm / inch		TITLE: 2.54MM(.100") WIRE TO BOARD CONNECTOR	瀚荃股份有限公司 CviLux Corporation			
	③				DRAWN BY:	Sandy	12/28-05'	TOLERANCE UNLESS OTHERWISE SPECIFIED						MATERIAL:
					ENGINEER:	Eisley	12/30-05'	.X ± 0.30/012	.X' ± 1'					
	②				CHECKED BY:	David	12/30-05'	.XX ± 0.20/008	.X' ±					FINISH:
①	Sandy	12/28/05'	ECN05445	APPROVED BY:	David	12/30-05'	.XXX ±	.XX' ±	SCALE	4 / 1	SHEET	1 OF 1		