

Material:

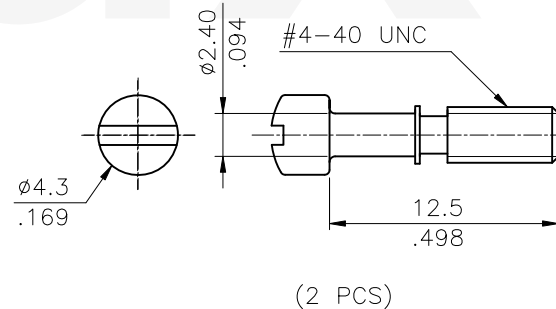
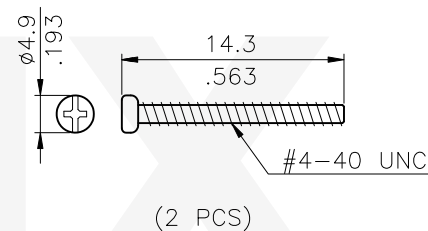
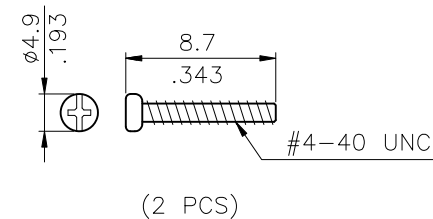
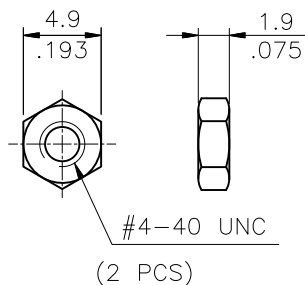
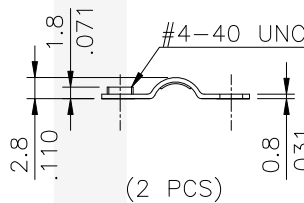
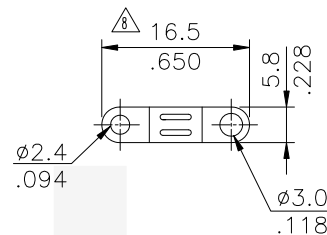
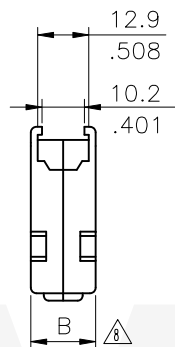
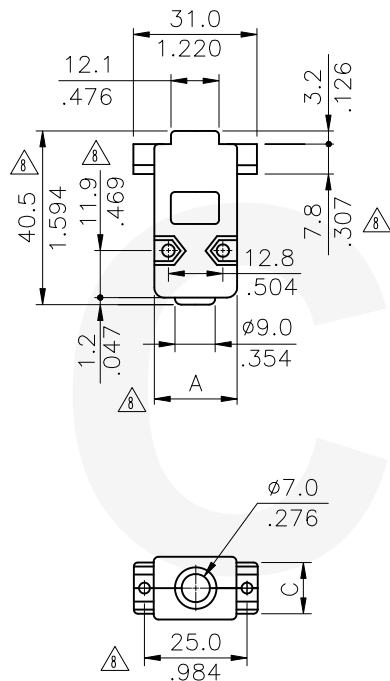
- * Hood: ABS UL 94HB
- * Screw: Steel with Nickel plated
- * Cable Clipper: Steel with Nickel plated

Ordering Code:

CD42 09 H0 9 00
 ① ② ③ ④ ⑤

- ① Series No.
- ② Circuits:
- ③ H0= Hood
- ④ Insulator color:
 1= Color Black
 9= Color Gary
 M= Color Metalized
- ⑤ Option: 00= Standard

CD4209H0*00



P/N	Dimension		
	A	B	C
CD4209H0100	20.7(.815)	16.3(.641)	12.3(.484)
CD4209H0900	20.5(.807)	16.0(.630)	13.0(.512)
CD4209H0M00	20.7(.815)	16.3(.641)	12.3(.484)

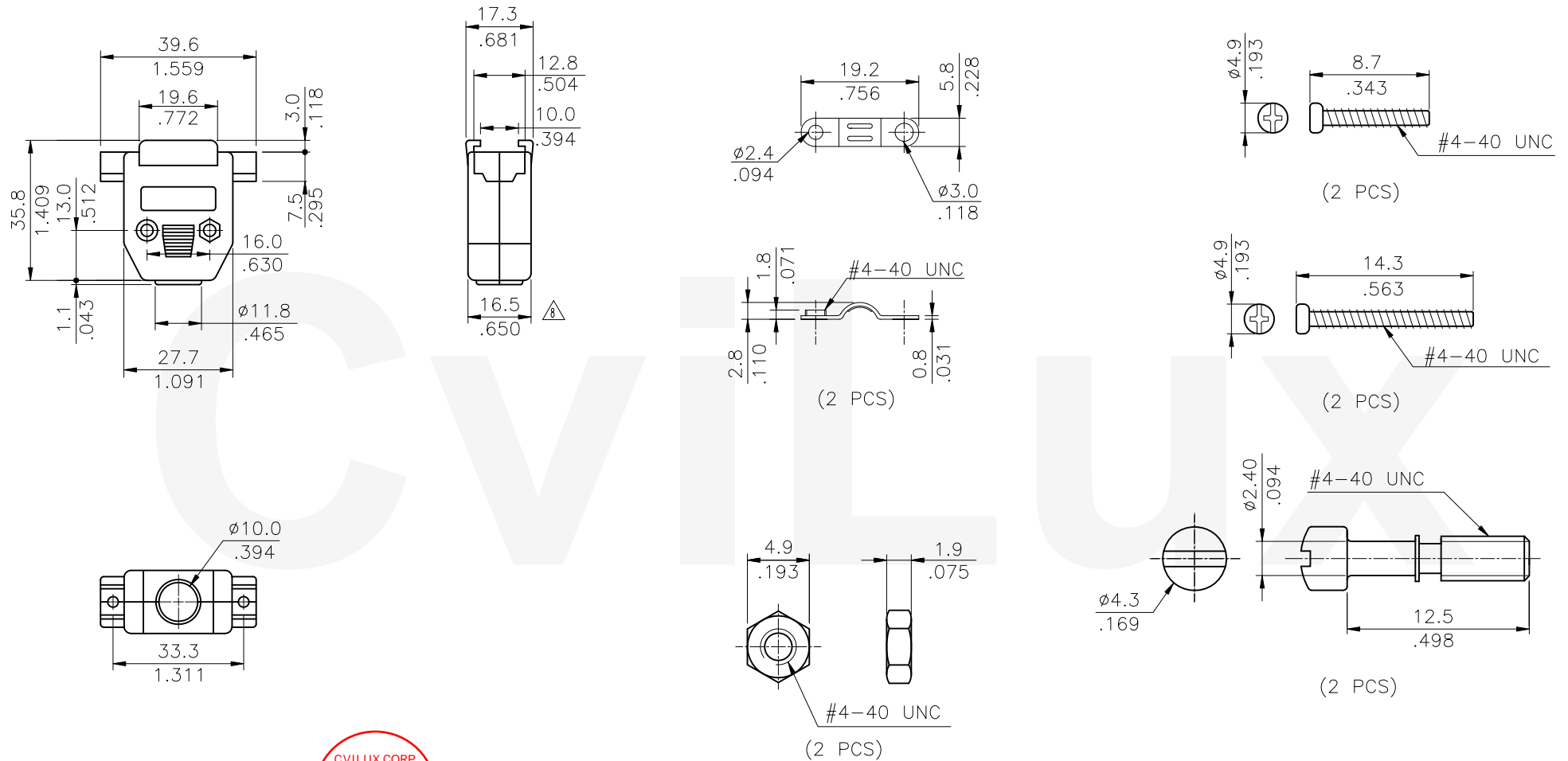
CVILUX CORP
2018.11.01
ISSUED

RoHS Compliant

SYM	NAME	DATE	REVISIONS	APPROVED BY:	Eisley	10/30-18'	UNIT: mm / inch	TITLE: D-SUB CONNECTOR ACCESSORIES (PLASTIC HOOD & ACCESSORY SCREW)	MATERIAL:	FINISH:	DRAWING NO.	PART NO.	SHEET	OF
8	Sun	10/24-18'	ECNT118240/ECRT118053								CD4201SL	CD42**H0*00	1	4
7	Sandy	12/15-14'	ECRT114097/ECRT114102/ECNT114291	DRAWN BY:	Sun	10/26-18'	TOLERANCE UNLESS OTHERWISE SPECIFIED							
6	Karen	12/1-08'	ECN08596/ECR08096-0	ENGINEER:	Sun	10/26-18'	X. ± 0.30/.012 X' ± 1'							
5	Karen	8/26/08'	ECN08414	CHECKED BY:	Eisley	10/30-18'	X ± 0.30/.012 X' ±							
				APPROVED BY:	Eisley	10/30-18'	.XX ± 0.20/.008 .XX' ±							


瀚荃股份有限公司
CviLux Corporation

CD4215H0*00

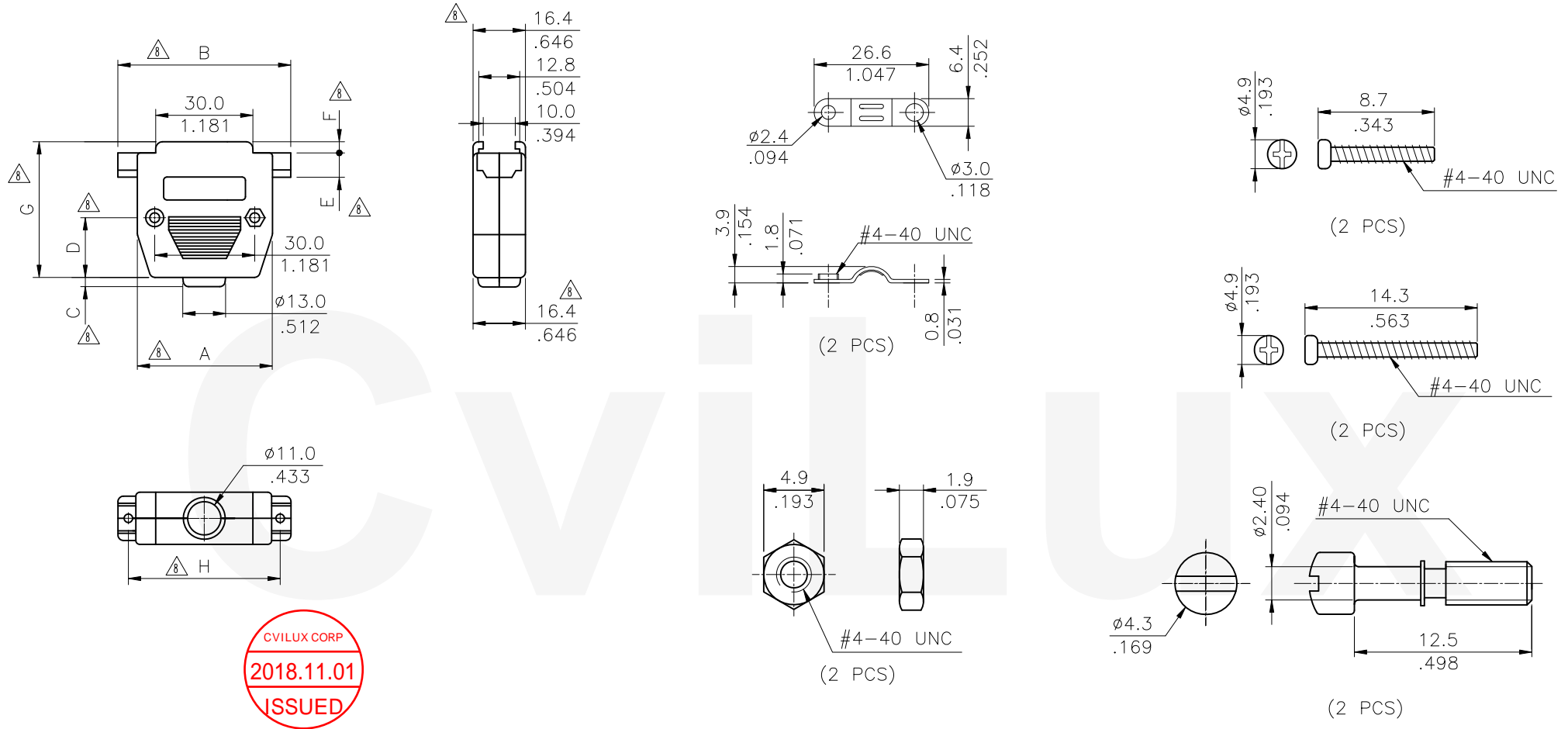


CVILUX CORP
2018.11.01
ISSUED

RoHS Compliant


8	Sun	10/24-18'	ECNT118240/ECRT118053		DATE	UNIT: mm / inch	TITLE: D-SUB CONNECTOR ACCESSORIES (PLASTIC HOOD & ACCESSORY SCREW)	 瀚荃股份有限公司 CviLux Corporation	
7	Sandy	12/15-14'	ECRT114097/ECRT114102/ECNT114291	DRAWN BY: Sun	10/26-18'	TOLERANCE UNLESS OTHERWISE SPECIFIED			MATERIAL:
6	Karen	12/1-08'	ECN08596/ECR08096-0	ENGINEER: Sun	10/26-18'	X. ± 0.30/012 X.' ± 1'	FINISH:	DRAWING NO. CD4201SL	
5	Karen	8/26/08'	ECN08414	CHECKED BY: Eisley	10/30-18'	X. ± 0.30/012 X.' ±		DRAWING NO. CD4201SL	PART NO. CD42**H0*00
SYM	NAME	DATE	REVISIONS	APPROVED BY: Eisley	10/30-18'	.XX ± 0.20/008 .XX' ±	SCALE	1 / 2	SHEET 2 OF 4

CD4225H0*00

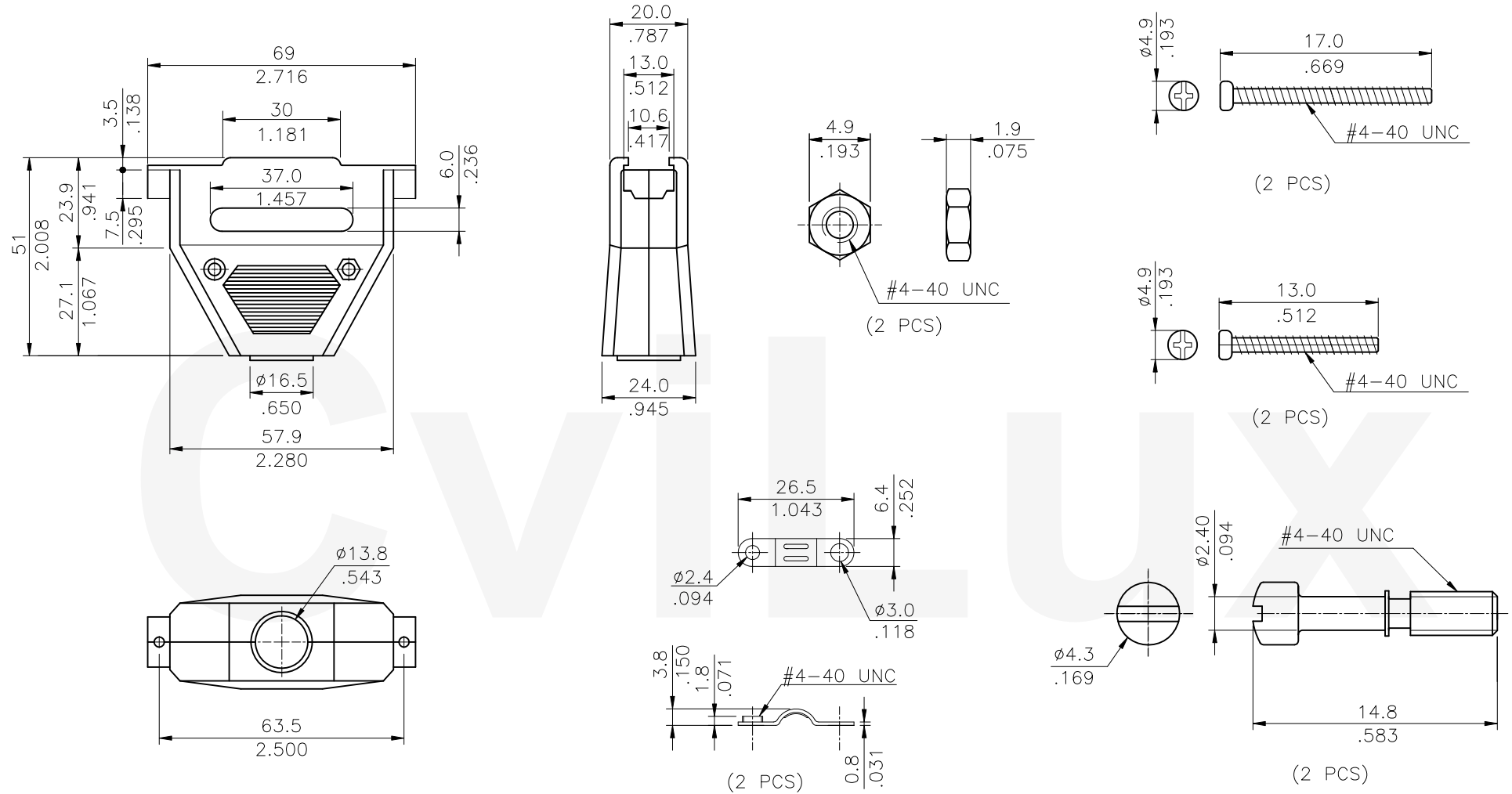


P/N	Dimension								
	A	B	C	D	E	F	G	H	I
CD4225H0100	40.8(1.606)	53.60(2.110)	2.0(.079)	18.5(.728)	7.5(.295)	3.2(.126)	42.0(1.653)	46.8(1.843)	14.8(583)
CD4225H0900	40.7(1.602)	53.50(2.106)	2.5(.098)	19.0(.748)	7.0(.276)	2.5(.098)	41.5(1.634)	46.6(1.835)	14.3(563)
CD4225H0M00	40.8(1.606)	53.60(2.110)	2.0(.079)	18.5(.728)	7.5(.295)	3.2(.126)	42.0(1.653)	46.8(1.843)	14.8(583)

RoHS Compliant


8	Sun	10/24-18'	ECNT118240/ECRT118053			DATE	UNIT: mm / inch	TITLE: D-SUB CONNECTOR ACCESSORIES (PLASTIC HOOD & ACCESSORY SCREW)	 瀚荃股份有限公司 CviLux Corporation
7	Sandy	12/15-14'	ECRT114097/ECRT114102/ECNT114291	DRAWN BY:	Sun	10/26-18'	TOLERANCE UNLESS OTHERWISE SPECIFIED	MATERIAL:	
6	Karen	12/1-08'	ECN08596/ECR08096-0	ENGINEER:	Sun	10/26-18'	X. ± 0.30/.012 X' ± 1'	FINISH:	
5	Karen	8/26/08'	ECN08414	CHECKED BY:	Eisley	10/30-18'	X. ± 0.30/.012 X' ±		
SYM	NAME	DATE	REVISIONS	APPROVED BY:	Eisley	10/30-18'	.XX ± 0.20/.008 .XX' ±	DRAWING NO. CD4201SL	PART NO. CD42**H0*00
		SCALE	1 / 2	SHEET		3	OF	4	

CD4237H0*00



CVILUX CORP
2018.11.01
ISSUED

RoHS Compliant

8	Sun	10/24-18'	ECNT118240/ECRT118053		DATE	UNIT: mm / inch	TITLE: (PLASTIC HOOD & ACCESSORY SCREW)	 瀚荃股份有限公司 CviLux Corporation			
7	Sandy	12/15-14'	ECRT114097/ECRT114102/ECNT114291	DRAWN BY:	Sun	10/26-18'	TOLERANCE UNLESS OTHERWISE SPECIFIED				
6	Karen	12/1-08'	ECN08596/ECR08096-0	ENGINEER:	Sun	10/26-18'	X. ± 0.30/.012 X' ± 1'	MATERIAL:			
5	Karen	8/26/08'	ECN08414	CHECKED BY:	Eisley	10/30-18'	X ± 0.30/.012 X' ±	FINISH:			
SYM	NAME	DATE	REVISIONS	APPROVED BY:	Eisley	10/30-18'	.XX ± 0.20/.008 .XX' ±	DRAWING NO.	CD4201SL	PART NO.	CD42**H0*00
								SCALE	1 / 2	SHEET	4 OF 4