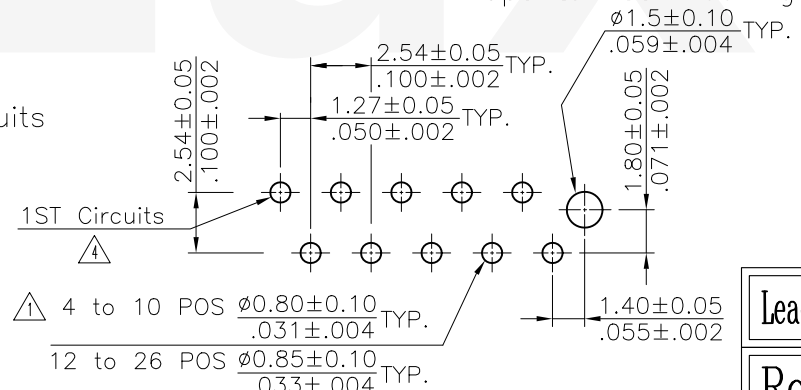


DIM.A= 1.27 x No. of Spaces  
 DIM.B= DIM.A + 3.3  
 DIM.C= DIM.A + 2.1  
 DIM.D= DIM.A + 4.7  
 \*Available in 4 ~ 26 Circuits



Recommended P.C. Board Layout

Material:  
 \* Insulation:  
 Base & Cover: Glass Filled Polyester UL 94V-0  
 \* Contact: Phosphor Bronze  
 \* Accommodated Cables:  
 1.27mm(.050")Center spacing Flat  
 Cable Insulator O.D.: 0.85 mm dia.  
 \* Construction: AWG #28 (7/0.127mm)

Ordering Code:

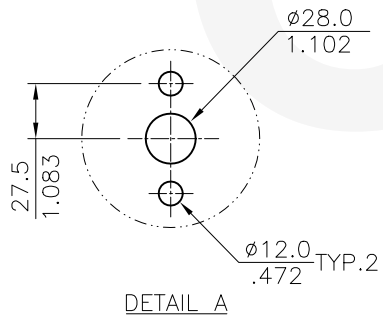
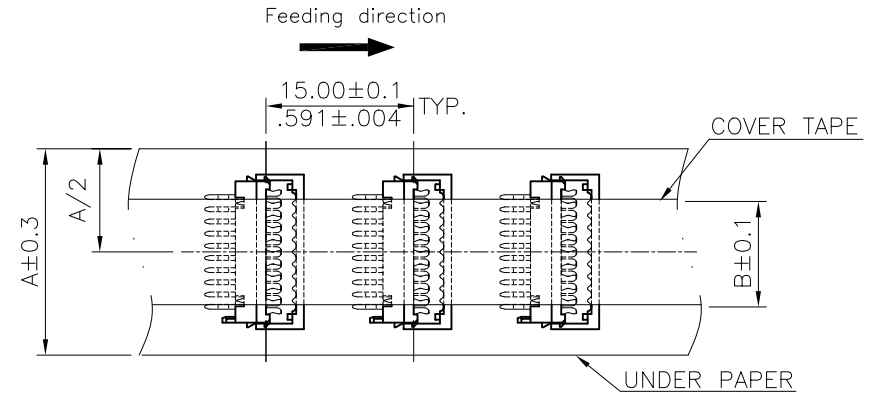
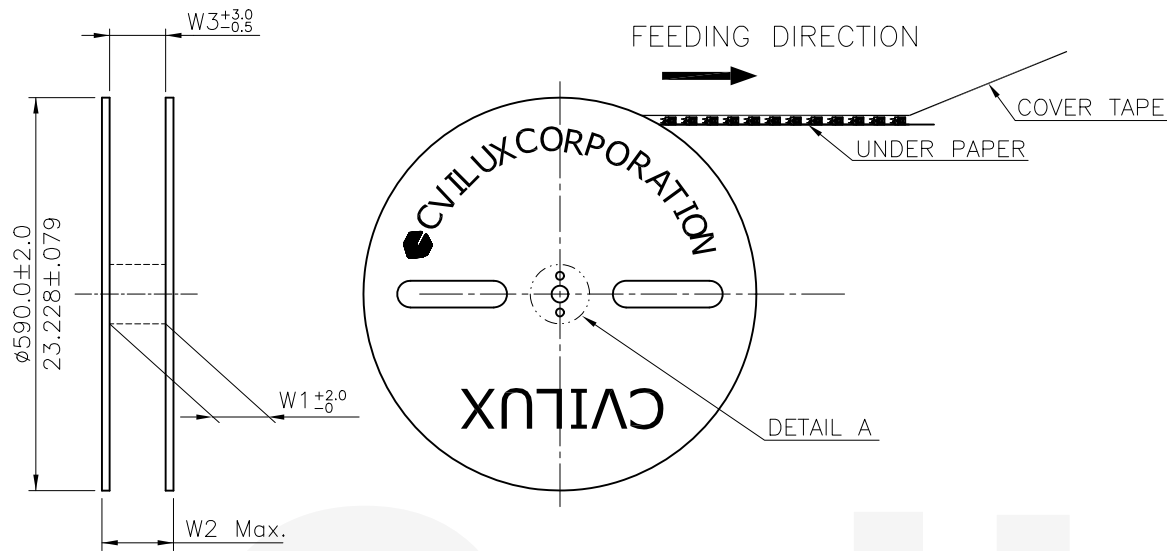
CA31 \*\* P 1 3 0 \*  
 ① ② ③ ④ ⑤ ⑥ ⑦

- ① Series No.:
- ② No. of Circuits: 04 to 26
- ③ Contacts Type: P= Pin Header
- ④ Plating option:  
 1= Tin over Nickel plated  
 (Matte Tin plated)  
 2= Gold flash plated over  
 1.27μm(50μ") Nickel
- ⑤ Color: 3= Red
- ⑥ Type: 0= Dip Type
- ⑦ Option: 0=Tube Packing  
 R=Tape & Reel Packing

Lead Free Process  
 RoHS Compliant

⑤	Sun	3/11-16'	ECRT116009/ECNT116035		DATE	UNIT: mm / inch	TITLE: 1.27mm Pitch Male IDC DIP Type Connector	瀚荃股份有限公司 CviLux Corporation
④	Una	11/11-10'	ECN10365	DRAWN BY: Sun	3/14-16'	TOLERANCE UNLESS OTHERWISE SPECIFIED	MATERIAL:	
③	Hank	3/12-09'	ECN09122	ENGINEER: Sun	3/14-16'	.X ± 0.30/.012 X' ± 1"	FINISH:	
②	Bill	06/03-08'	ECN08257	CHECKED BY: Eisley	3/15-16'	.XX ± 0.20/.008 X' ±	DRAWING NO. CA3101SF PART NO. CA31**P*30*	
SYM	NAME	DATE	REVISIONS	APPROVED BY: Eisley	3/15-16'	.XXX ± 0.10/.004 X' ±	SCALE 4 / 1	SHEET 1 OF 2


CIVILUX CORP  
 2016.03.17  
 ISSUED



Circuits	Dimension				
	A	B	W1	W2	W3
4	11.0(.433)	6.0(.236)	13.0(.512)	23.0(.906)	13.0(.512)
6	17.0(.669)	6.0(.236)	18.0(.709)	28.0(1.102)	18.0(.709)
8	17.0(.669)	6.0(.236)	18.0(.709)	28.0(1.102)	18.0(.709)
10	21.0(.827)	6.0(.236)	22.0(.866)	32.0(1.260)	22.0(.866)
12	21.0(.827)	6.0(.236)	22.0(.866)	32.0(1.260)	22.0(.866)
14	24.0(.945)	6.0(.236)	25.0(.984)	35.0(1.378)	25.0(.984)
16	29.0(1.142)	6.0(.236)	30.0(1.181)	40.0(1.575)	30.0(1.181)
18	29.0(1.142)	6.0(.236)	30.0(1.181)	40.0(1.575)	30.0(1.181)
20	32.0(1.260)	6.0(.236)	33.0(1.299)	43.0(1.693)	33.0(1.299)
22	36.0(1.417)	6.0(.236)	37.0(1.457)	47.0(1.850)	37.0(1.457)
24	36.0(1.417)	6.0(.236)	37.0(1.457)	47.0(1.850)	37.0(1.457)
26	39.0(1.535)	6.0(.236)	40.0(1.575)	50.0(1.969)	40.0(1.575)

\* Quantity : 2500 PCS/Reel/Caton

RoHS Compliant

5	Sun	3/11-16'	ECRT116009/ECNT116035		DATE	UNIT: mm / inch	TITLE: TAPE & REEL PACKAGING FOR CA31 SERIES SMT TYPE	 瀚荃股份有限公司 CviLux Corporation		
4	Una	11/11-10'	ECN10365	DRAWN BY: Sun	3/14-16'	TOLERANCE UNLESS OTHERWISE SPECIFIED	MATERIAL:			
3	Hank	3/12-09'	ECN09122	ENGINEER: Sun	3/14-16'	.X ±	FINISH:	SCALE	SHEET 2 OF 2	
2	Bill	06/03-08'	ECN08257	CHECKED BY: Eisley	3/15-16'	.XX ±				
SYM	NAME	DATE	REVISIONS	APPROVED BY: Eisley	3/15-16'	.XXX ±				

CVILUX CORP  
2016.03.17  
ISSUED