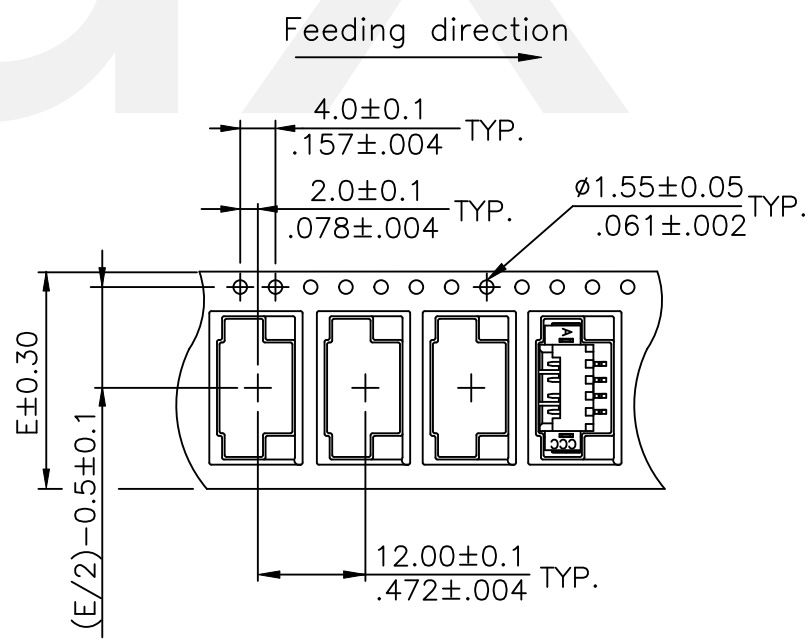
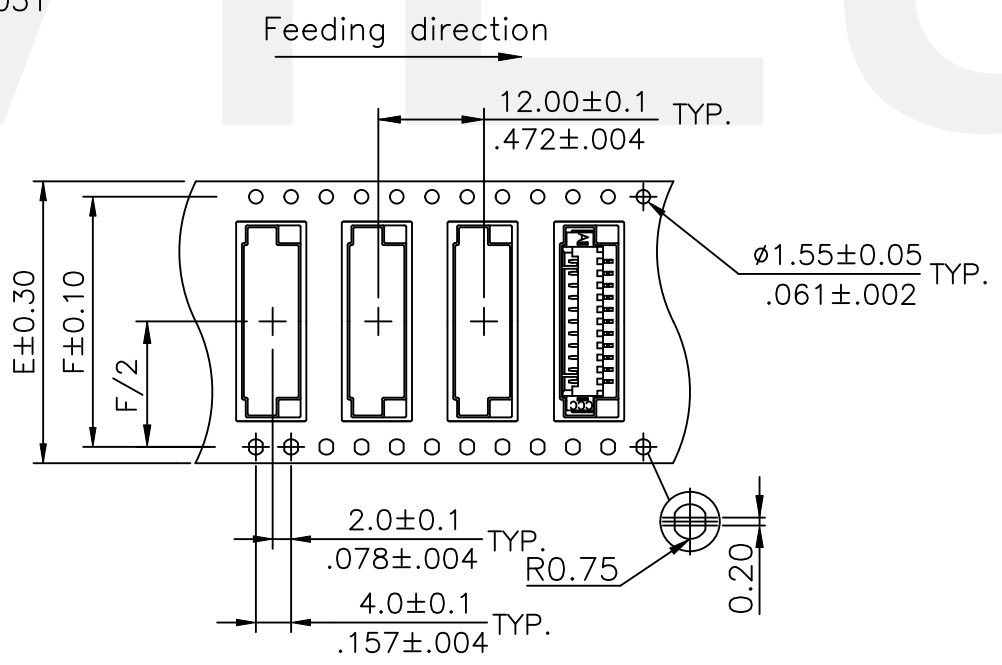
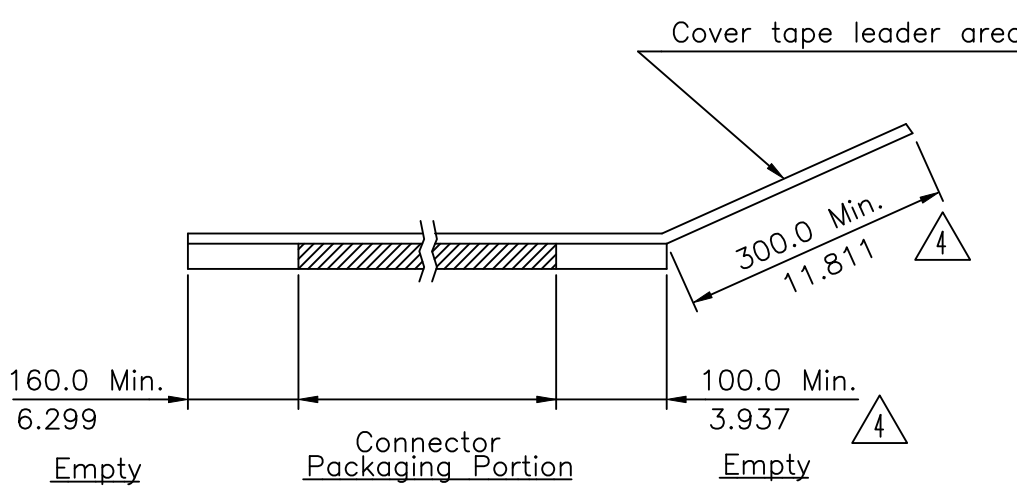


NOTE :

- △△ * Reel Material : HIPS
- * Carrier Material : Clear, Conductive Polystyrene Alloy
- * Cover Tape Material : Polyester
- * Cover Tape Peel Strength : 0.1N – 1.3N
- * Carrier camber is within 1mm in 100mm
- △ * All dimensions meet EIA-481 requirements.
- * Quantity : 1400 PCS/Reel

Circuits	Dimension					Packing (Reel/Carton)
	E	F	W1	W2	W3	
2	16.0(.630)	---	16.5(.650)	22.5(.886)	16.5(.650)	11
3-9	24.0(.945)	---	24.5(.965)	30.5(1.201)	24.5(.965)	9
10-12	32.0(1.260)	28.40(1.118)	32.5(1.280)	38.5(1.516)	32.5(1.280)	7
13-15	44.0(1.732)	40.40(1.591)	44.5(1.752)	50.5(1.988)	44.5(1.752)	5



WIDTH : 32,44 mm Carrier

RoHS Compliant

△7	Wayne	11/06-24'	ECRT124062/ECNT124310		DATE	UNIT: mm / inch	TITLE: 1.25MM(.049")	 瀚荃股份有限公司 CviLux Corporation
△6	Jack	12/25-23'	ECNT123179/ECRB123029	DRAWN BY: Wayne	11/06-24'	TOLERANCE UNLESS OTHERWISE SPECIFIED	RIGHT ANGLE SMT TYPE HEADER	
△5	Sun	8/15-19'	ECNT119210	ENGINEER: Sun	11/06-24'	.X ± X' ± 1'	MATERIAL:	
△4	Karen	12/09-14'	ECNT114252/ECRT114090	CHECKED BY: Eisley	11/06-24'	.XX ± .X' ±	FINISH:	
SYM	NAME	DATE	REVISIONS	APPROVED BY: Eisley	11/06-24'	.XXX ± .XX' ±		DRAWING NO. CI4447SH SCALE PART NO. CI44**M**H**-NH SHEET 2 OF 2

CviLux Corp
 2024/12/12
 ISSUED