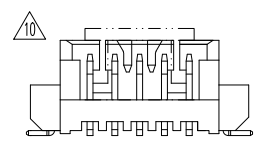
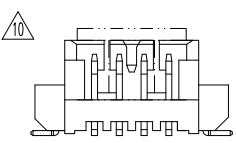
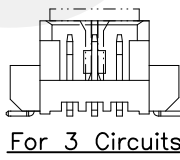
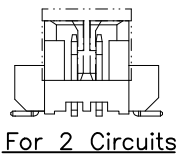


- Note:
- \* Insulation: Nylon 46+40% G.F UL 94V-0, Color Nature(Ivory)
  - \* Contact : Phosphor Bronze with Tin Plated
  - \* Fixed Tab : Brass With Tin Plated
  - \* For Tin-Lead IR reflow process

**ORDERING CODE:**

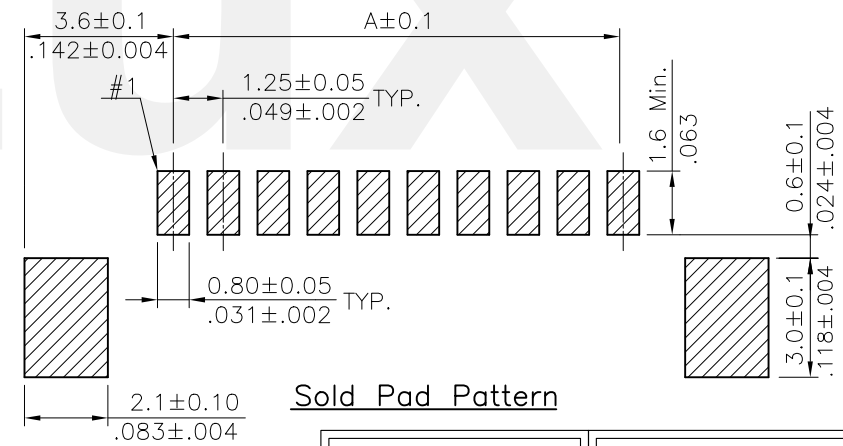
CI44 \*\* M 1 V RP  
 ① ② ③ ④ ⑤ ⑥

- ① SERIES NO.:
- ② NO. OF CIRCUITS: 02 TO 15
- ③ M= SMT TYPE HEADER
- ④ PLATING OPTION:  
1= Tin OVER NICKEL PLATED
- ⑤ TAIL STYLE: V= STRAIGHT
- ⑥ OPTION:  
RP= TAPE & REEL PACKING & PLACE PAD



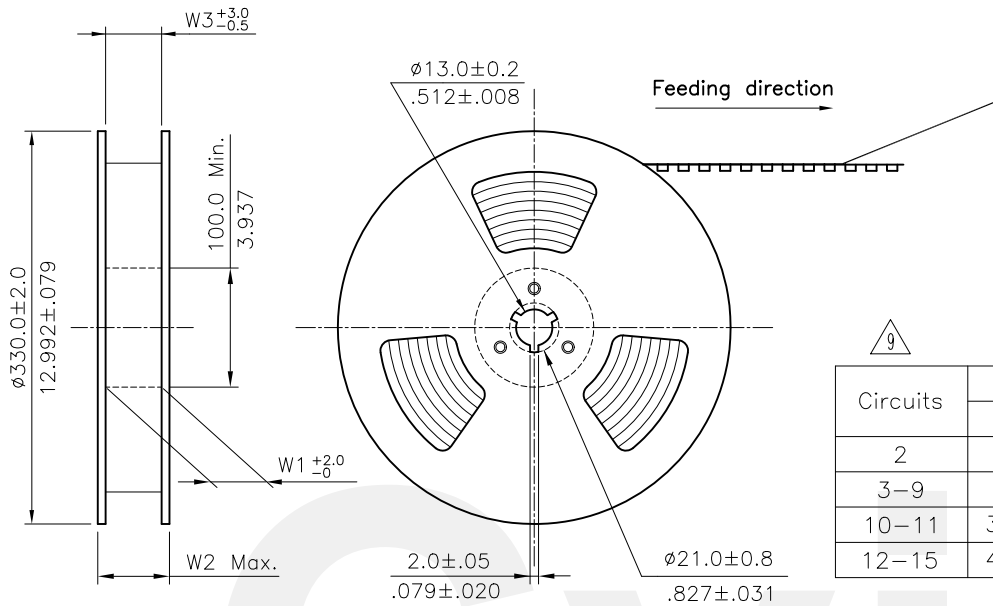
A = 1.25 x No. of Spaces  
 B = A + 6.1  
 C = A + 1.9

\* Available in 2 through 15 circuits



Tin-Lead Process      RoHS compliant

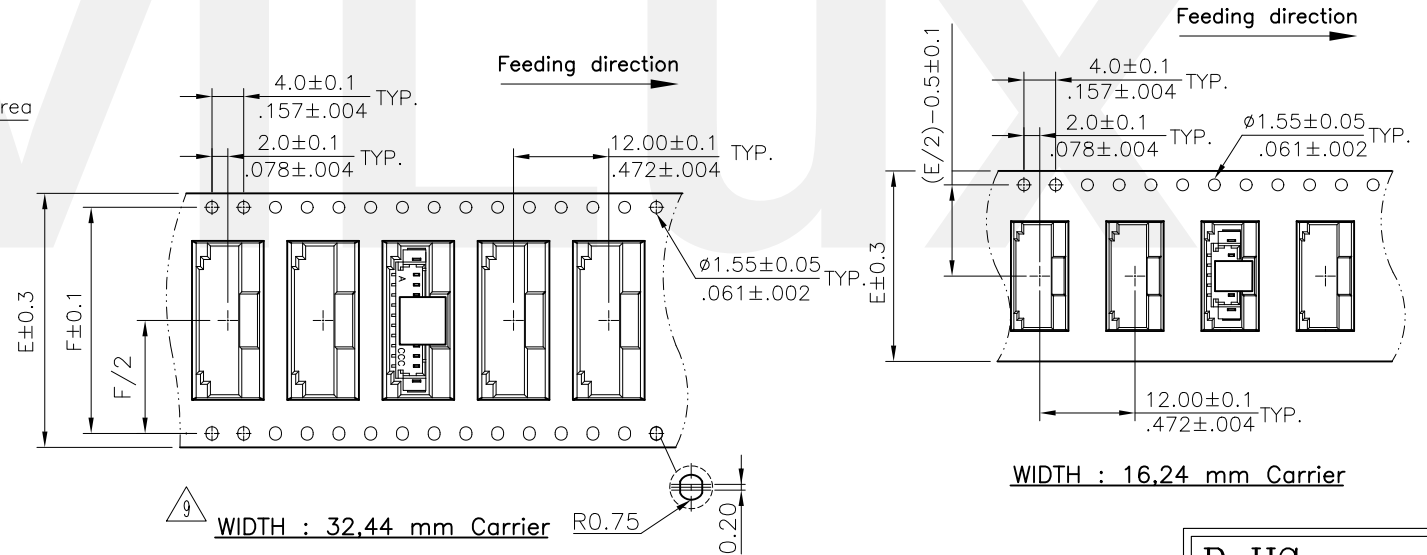
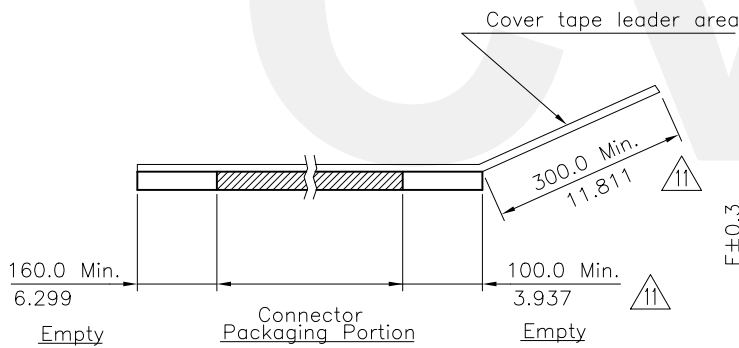
△12	Sandy	3/28-16'	ECNT116062		DATE	UNIT: mm / inch	TITLE: 1.25MM(.049")	 瀚荃股份有限公司 CviLux Corporation	
△11	Karen	12/11-14'	ECNT114252/ECRT114090		DRAWN BY: Sandy	3/28-16'	TOLERANCE UNLESS OTHERWISE SPECIFIED		STRAIGHT SMT TYPE HEADER
△10	Sun	4/25-14'	ECRB114014/ECNT114071		ENGINEER: Sun	3/31-16'	.X ± 0.25/.010    X' ± 1'		MATERIAL:
△9	Enya	7/26-12'	ECN12176-0 /ECR12061-1		CHECKED BY: Eisley	3/31-16'	.XX ± 0.15/.006    X ±		FINISH:
SYM	NAME	DATE	REVISIONS	APPROVED BY: Eisley	3/31-16'	.XXX ± 0.08/.003    .XX ±		DRAWING NO. CI4415SM    PART NO. CI44**M1VRP	
								SCALE 5 / 1    SHEET 1 OF 2	



NOTE :

- \* Reel Material : CORRUGATED PAPER
- \* Carrier Material : Clear, Conductive Polystyrene Alloy
- \* Cover Tape Material : Polyester
- \* Cover Tape Peel Strength : 0.1N – 1.3N
- \* Carrier camber is within 1mm in 100mm
- \* All dimensions meet EIA-481-2 & EIA-481-3 requirements.
- \* Quantity : 1000 PCS/Reel

Circuits	Dimension					Packing (Reel/Caton)
	E	F	W1	W2	W3	
2	16.0(.630)	---	16.5(.650)	22.5(.886)	16.5(.650)	11
3-9	24.0(.945)	---	24.5(.965)	30.5(1.201)	24.5(.965)	9
10-11	32.0(1.260)	28.40(1.118)	32.5(1.280)	38.5(1.516)	32.5(1.280)	7
12-15	44.0(1.732)	40.40(1.591)	44.5(1.752)	50.5(1.988)	44.5(1.752)	5



RoHS Compliant

SYM	NAME	DATE	REVISIONS	APPROVED BY:	DATE	UNIT: mm / inch	TITLE: 1.25MM(.049") STRAIGHT SMT TYPE HEADER	MATERIAL:	FINISH:	DRAWING NO. CI4415SM	PART NO. CI44**M1VRP	SCALE	SHEET 2 OF 2
12	Sandy	3/24-16'	ECNT116062										
11	Karen	12/11-14'	ECNT114252/ECRT114090	2016.04.07	3/28-16'								
10	Sun	4/25-14'	ECRB114014/ECNT114071	ISSUED	3/31-16'								
9	Enya	7/26-12'	ECN12176-0 / ECR12061-1		3/31-16'								
					3/31-16'								

