

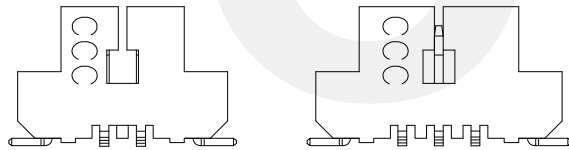
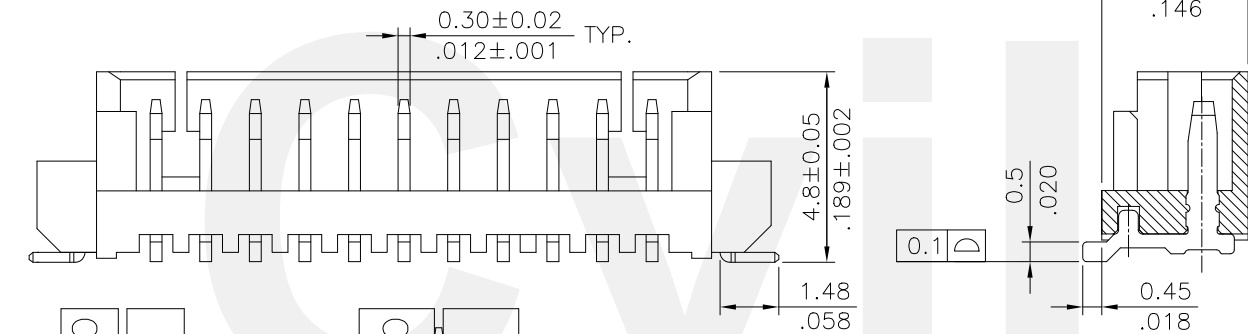
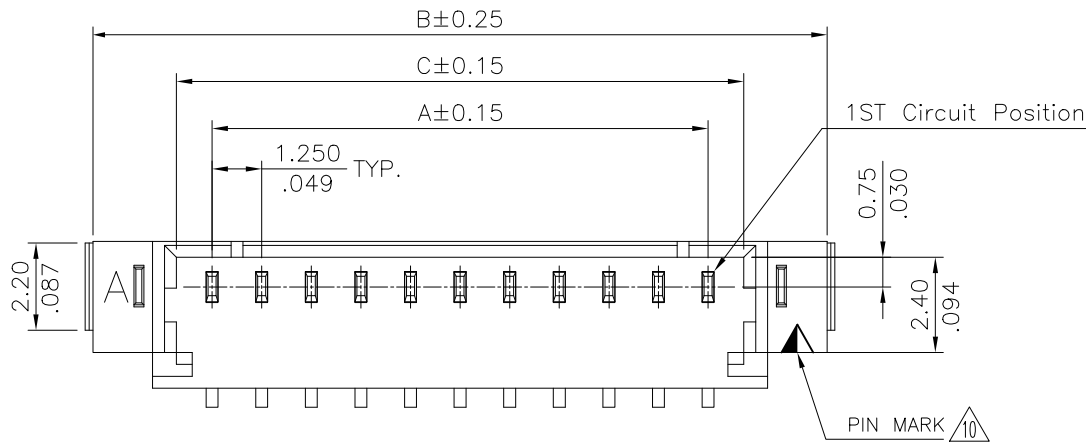
Note:

- \* Material :  
Insulation: Nylon 6T UL 94V-0, Color Nature  
Contact : Phosphor Bronze with Matte Tin plated  
Fixed Tab : Brass with Matte Tin plated
- \* Recommended mating part:  
Housing : CI44\*\*S0000-L  
Terminal : CI44T011PP0
- \* For Lead-Free IR Reflow process

**ORDERING CODE:**

CI44 \*\* M 1 V 00 -LF  
① ② ③ ④ ⑤ ⑥ ⑦

- ① Series No.:
- ② No. of circuits: 02 TO 15
- ③ Contacts type: M= SMT
- ④ Plating option:  
1= Tin over Nickel plated
- ⑤ Tail style: V= Straight
- ⑥ Option: 00= Standard(Tube packing)  
R0= Tape & Reel packing
- ⑦ Other option:  
LF= For Leadfree IR Processes

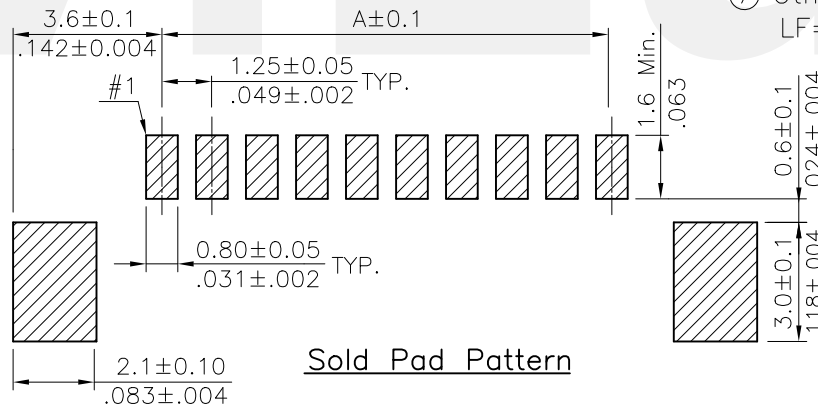


FOR 2 Circuits

FOR 3 Circuits

A = 1.25 x No. of Spaces  
B = A + 6.1  
C = A + 1.9

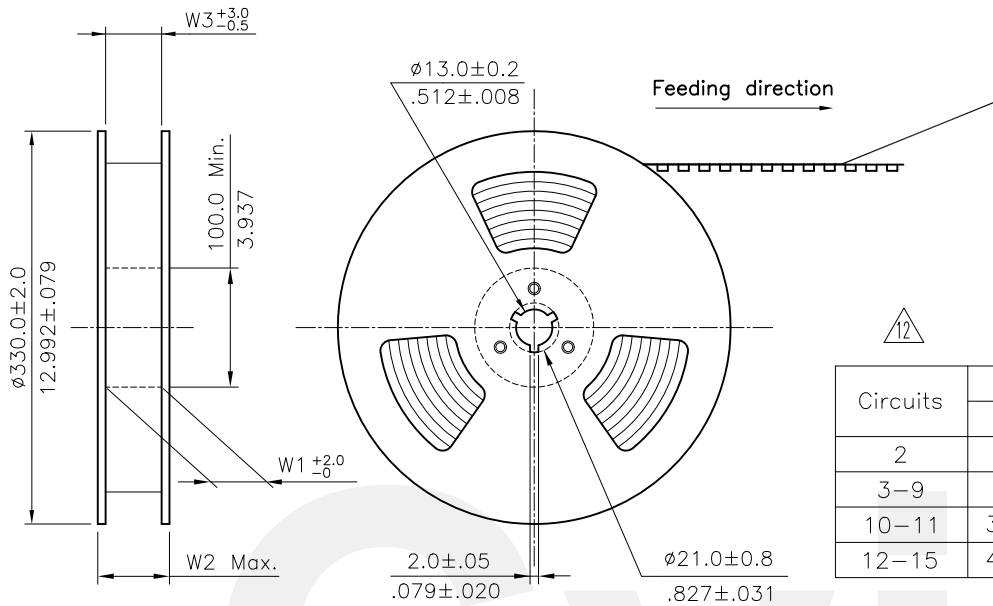
\* Available in 2 through 15 circuits



Lead Free Process

RoHS Compliant

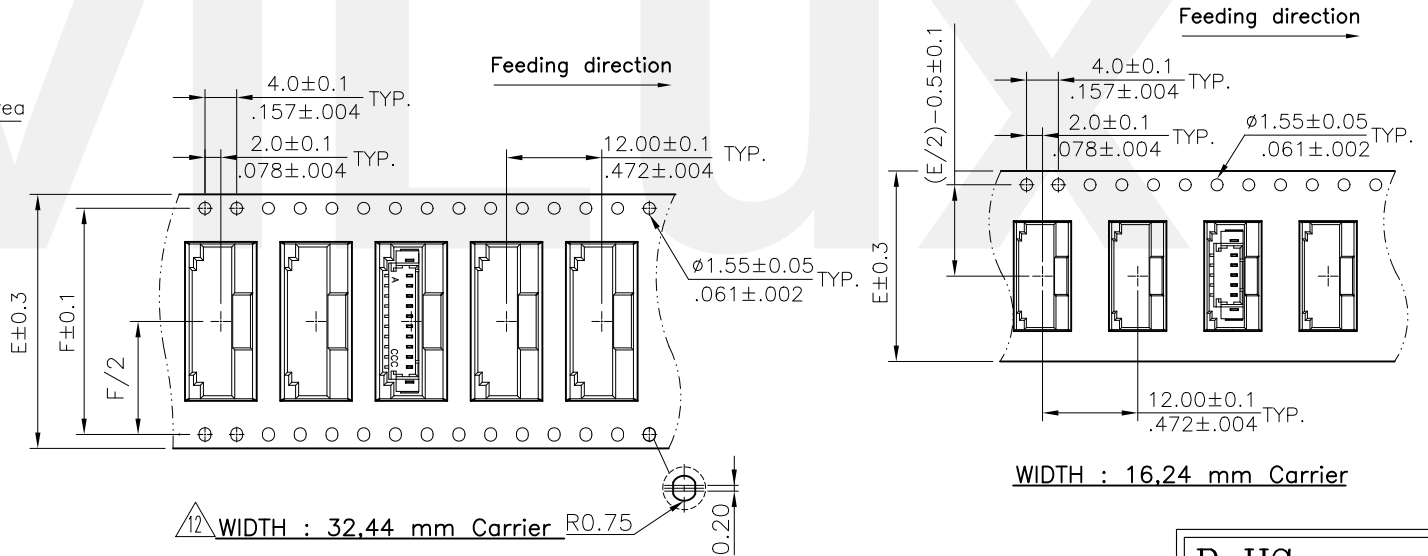
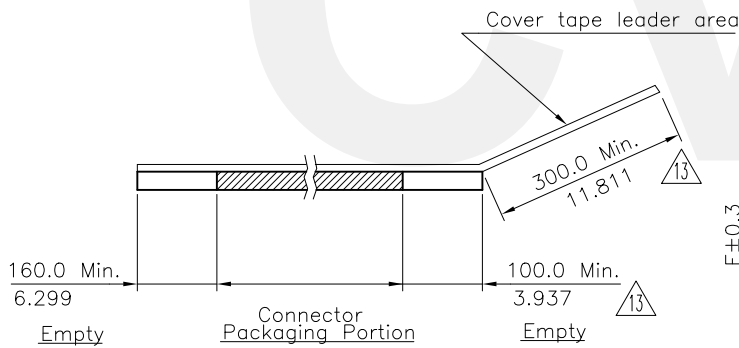
	Karen	12/09-14'	ECNT114252/ECRT114090		DATE	UNIT: mm / inch	TITLE: 1.25MM(.049") STRAIGHT SMT TYPE HEADER		瀚荃股份有限公司 CviLux Corporation			
	Enya	7/26-12'	ECN12176-0 /ECR12061-1		DRAWN BY: Karen	12/25-14'	TOLERANCE UNLESS OTHERWISE SPECIFIED		MATERIAL:	DRAWING NO. CI4421SN	PART NO. CI44**M1V**-LF	SCALE 5 / 1 SHEET 1 OF 2
	Karen	4/19-11'	ECR11010-1/ECN11071		ENGINEER: Sun	12/26-14'	.X ± 0.25/.010    X' ± 1'		FINISH:			
	Tim	11/09-10'	ECR10145-0/ECN10364		CHECKED BY: Eisley	12/29-14'	.XX ± 0.15/.006    X ±					
SYM	NAME	DATE	REVISIONS	APPROVED BY: Eisley	12/29-14'	.XXX ± 0.08/.003    .XX ±						



NOTE :

- \* Reel Material : CORRUGATED PAPER
- \* Carrier Material : Clear, Conductive Polystyrene Alloy
- \* Cover Tape Material : Polyester
- \* Cover Tape Peel Strength : 0.1N – 1.3N
- \* Carrier camber is within 1mm in 100mm
- \* All dimensions meet EIA-481-2 & EIA-481-3 requirements.
- \* Quantity : 1000 PCS/Reel

Circuits	Dimension					Packing (Reel/Caton)
	E	F	W1	W2	W3	
2	16.0(.630)	---	16.5(.650)	22.5(.886)	16.5(.650)	11
3-9	24.0(.945)	---	24.5(.965)	30.5(1.201)	24.5(.965)	9
10-11	32.0(1.260)	28.40(1.118)	32.5(1.280)	38.5(1.516)	32.5(1.280)	7
12-15	44.0(1.732)	40.40(1.591)	44.5(1.752)	50.5(1.988)	44.5(1.752)	5



RoHS Compliant

13	Karen	12/09-14'	ECNT114252/ECRT114090	 <b>2015.01.16</b> <b>ISSUED</b>	DATE	UNIT: mm / inch	TITLE: 1.25MM(.049") STRAIGHT SMT TYPE HEADER	 瀚荃股份有限公司 CviLux Corporation	
12	Enya	7/26-12'	ECN12176-0 / ECR12061-1		DRAWN BY: Karen	12/25-14'	TOLERANCE UNLESS OTHERWISE SPECIFIED		MATERIAL:
11	Karen	4/19-11'	ECR11010-1/ECN11071		ENGINEER: Sun	12/26-14'	.X ±      .X' ± 1'		FINISH:
10	Tim	11/09-10'	ECR10145-0/ECN10364		CHECKED BY: Eisley	12/29-14'	.XX ±     .X' ±	DRAWING NO. <b>CI4421SN</b>	PART NO. <b>CI44**M1V**-LF</b>
SYM	NAME	DATE	REVISIONS		APPROVED BY: Eisley	12/29-14'	.XXX ±    .XX' ±	SCALE	SHEET 2 OF 2