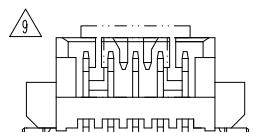
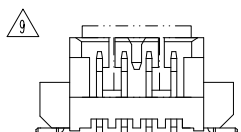
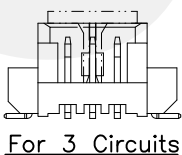
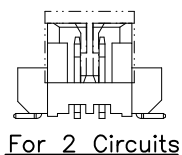


**Sold Pad Pattern**



**Note:**

- \* Insulation: Nylon 6T UL 94V-0, Color Nature
- \* Contact : Phosphor Bronze
- \* Fixed Tab : Brass With Matte Tin Plated
- \* For Lead Free IR Reflow Process

**ORDERING CODE:**

**CI44 \*\* M 1 V RP -LF**  
 ① ② ③ ④ ⑤ ⑥ ⑦

- ① Series No.:
- ② No. of Circuits: 02 to 15
- ③ M= SMT Type Header
- ④ Plating Option:  
1= 100u" min. Matte Tin Plated  
over 50u" min. Nickel
- ⑤ Tail Style: V= Straight
- ⑥ Other Option: RP= Reel Packing & with Pad
- ⑦ LF= For Leadfree IR Processes

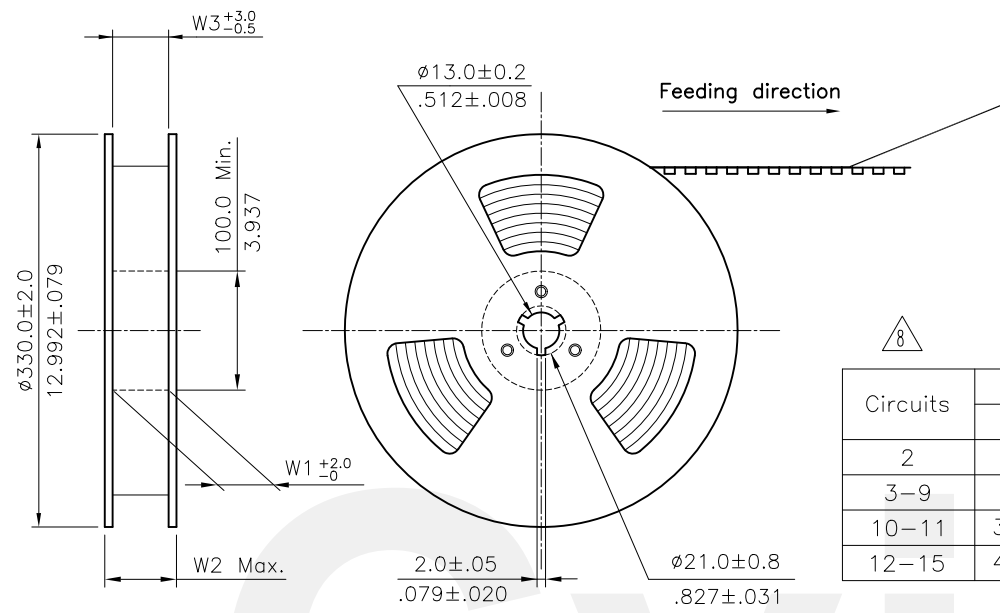
A = 1.25 x No. of Spaces  
 B = A + 6.1  
 C = A + 1.9

\* Available in 2 through 15 circuits

**Lead Free Process**

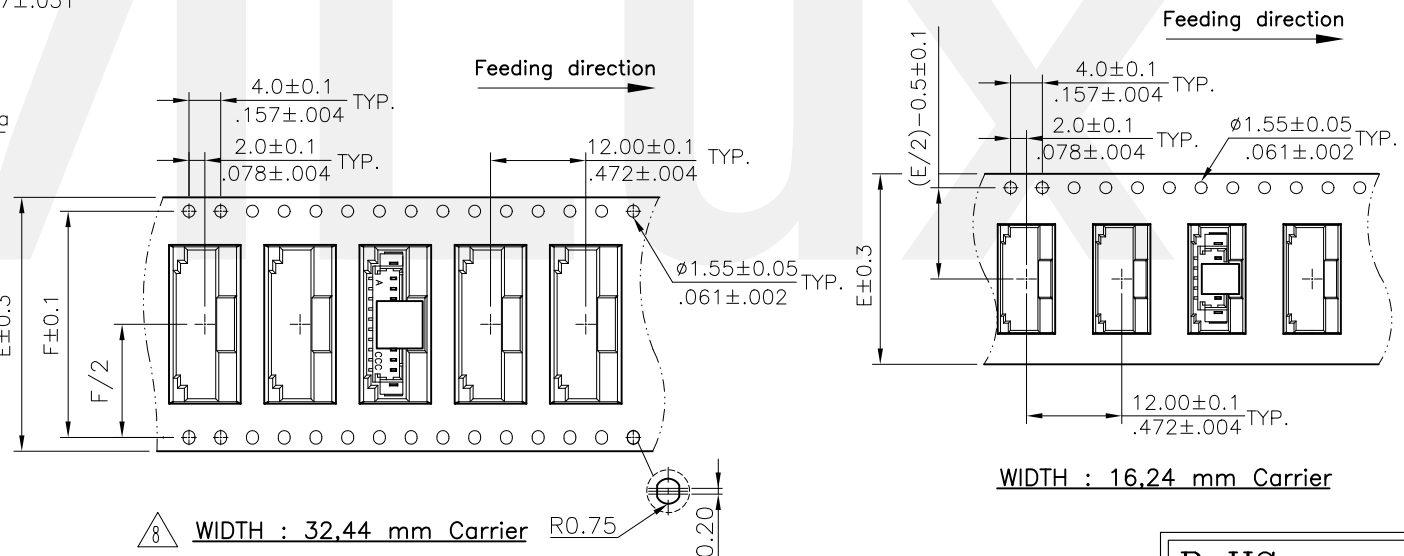
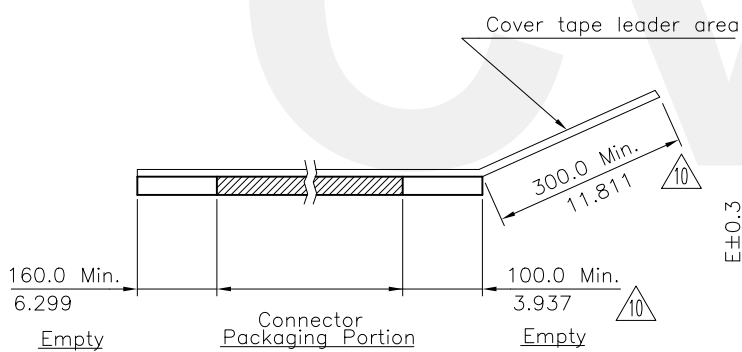
**RoHS Compliant**

△11	Sandy	3/28-16'	ECNT16062		DATE	UNIT: mm / inch	TITLE: 1.25MM(.049") STRAIGHT SMT TYPE HEADER		瀚荃股份有限公司 CviLux Corporation				
△10	Karen	12/09-14'	ECNT114252/ECRT114090		DRAWN BY: Sandy	3/28-16'	TOLERANCE UNLESS OTHERWISE SPECIFIED		MATERIAL:	DRAWING NO. CI4429SL	PART NO. CI44**M1VRP-LF		
△9	Sun	4/25-14'	ECRB114014/ECNT114071		ENGINEER: Sun	3/31-16'	.X ± 0.25/.010    .X' ± 1'		FINISH:	SCALE 5 / 1	SHEET 1 OF 2		
△8	Enya	7/26-12'	ECN12176-0 / ECR12061-1		CHECKED BY: Eisley	3/31-16'	.XX ± 0.15/.006    .X' ±						
SYM	NAME	DATE	REVISIONS		APPROVED BY: Eisley	3/31-16'	.XXX ± 0.08/.003    .XX' ±						



- NOTE :
- \* Reel Material : CORRUGATED PAPER
  - \* Carrier Material : Clear, Conductive Polystyrene Alloy
  - \* Cover Tape Material : Polyester
  - \* Cover Tape Peel Strength : 0.1N – 1.3N
  - \* Carrier camber is within 1mm in 100mm
  - \* All dimensions meet EIA-481-2 & EIA-481-3 requirements.
  - \* Quantity : 1000 PCS/Reel

Circuits	Dimension					Packing (Reel/Caton)
	E	F	W1	W2	W3	
2	16.0(.630)	---	16.5(.650)	22.5(.886)	16.5(.650)	11
3-9	24.0(.945)	---	24.5(.965)	30.5(1.201)	24.5(.965)	9
10-11	32.0(1.260)	28.40(1.118)	32.5(1.280)	38.5(1.516)	32.5(1.280)	7
12-15	44.0(1.732)	40.40(1.591)	44.5(1.752)	50.5(1.988)	44.5(1.752)	5



WIDTH : 32.44 mm Carrier R0.75 0.20

RoHS Compliant

△1	Sandy	3/28-16'	ECNT16062		DATE	UNIT: mm / inch	TITLE: 1.25MM(.049") STRAIGHT SMT TYPE HEADER	 瀚荃股份有限公司 CviLux Corporation
△10	Karen	12/09-14'	ECNT114252/ECRT114090		DRAWN BY: Sandy	3/28-16'		
△9	Sun	4/25-14'	ECRB114014/ECNT114071		ENGINEER: Sun	3/31-16'	MATERIAL:	
△8	Enya	7/26-12'	ECN12176-0 / ECR12061-1		CHECKED BY: Eisley	3/31-16'	FINISH:	
SYM	NAME	DATE	REVISIONS		APPROVED BY: Eisley	3/31-16'		

DRAWING NO.	CI4429SL	PART NO.	CI44**M1VRP-LF
SCALE		SHEET	2 OF 2