

Note:

\* Material :

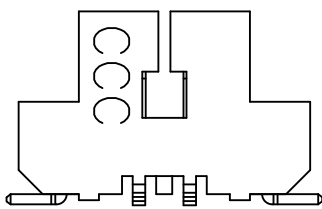
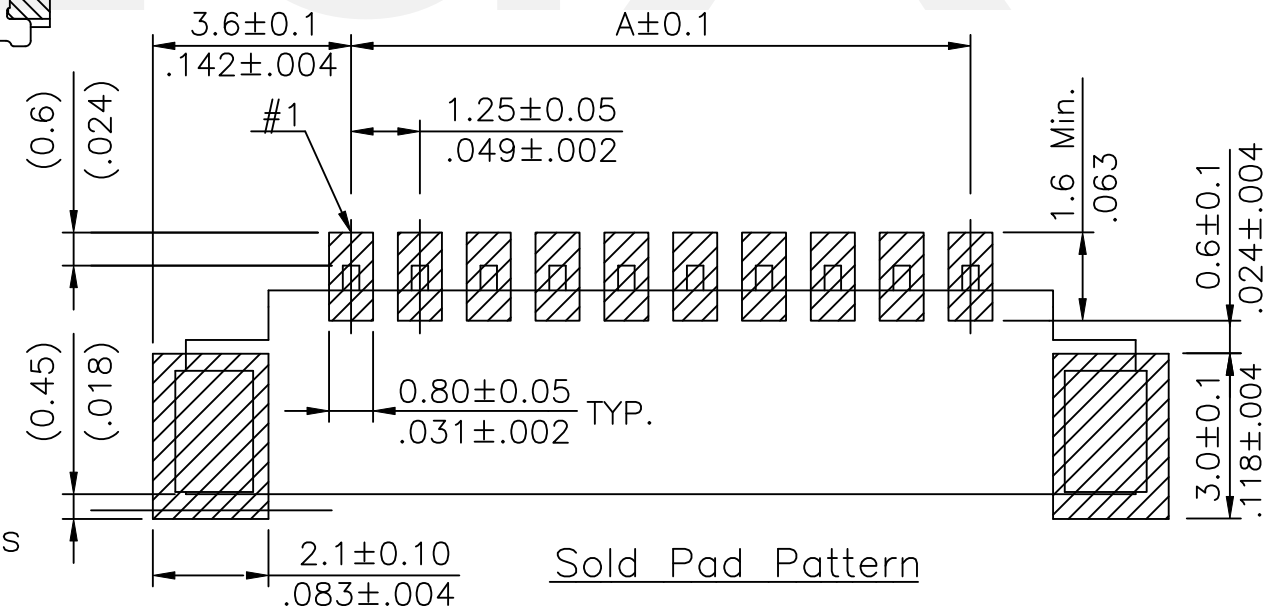
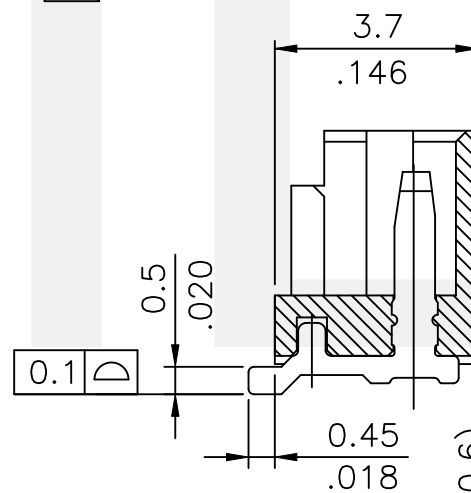
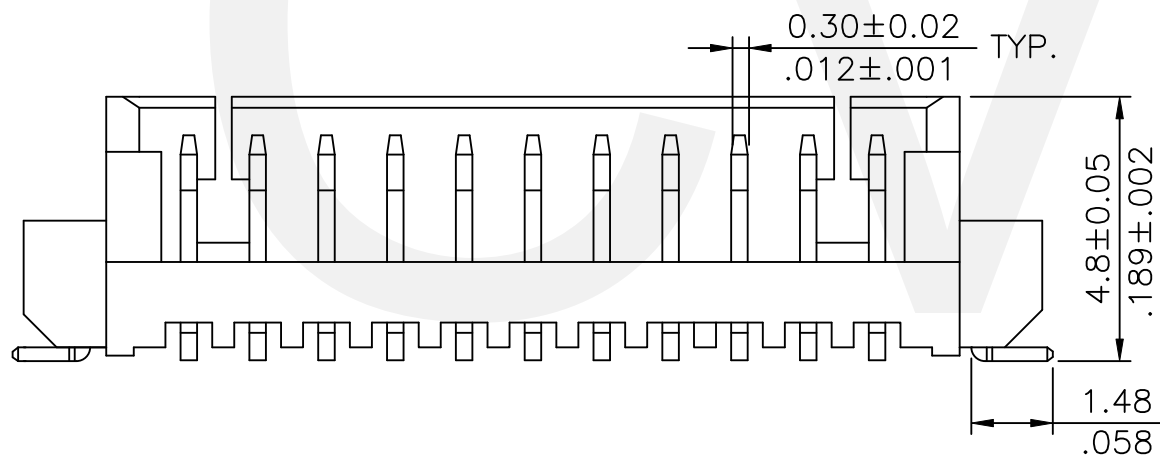
Insulation:  
 ⑤ High temperature plastic  
 UL94 V-0, Color Nature  
 Contact : Phosphor Bronze  
 Fixed Tab : Brass with Matte  
 Tin Plated

\* Recommended mating part:  
 Housing : CI44\*\*S0000  
 Terminal : CI44T011PP0

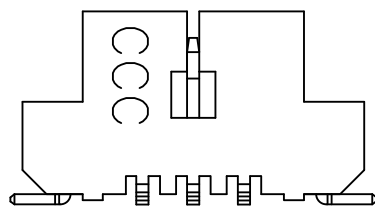
**ORDERING CODE:**

CI44 \*\* M 1 V 00 -NH  
 ① ② ③ ④ ⑤ ⑥ ⑦

- ① SERIES NO.:
- ② NO. OF CIRCUITS: 02 TO 15
- ③ M= SMT TYPE HEADER
- ④ PLATING OPTION:  
 1= Tin over Nickel plated
- ⑤ TAIL STYLE: V= STRAIGHT
- ⑥ OPTION:  
 00= STANDARD(TUBE PACKING)  
 R0= TAPE & REEL PACKING
- ⑦ OTHER OPTION:  
 -NH=For Lead Free Reflow  
 Processes and Halogen-Free



FOR 2 Circuits



FOR 3 Circuits

A = 1.25 x No. of Spaces  
 B = A + 6.1  
 C = A + 1.9

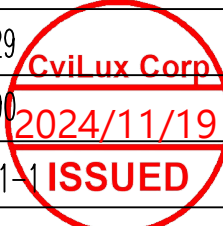
\* Available in 2 through 15 circuits

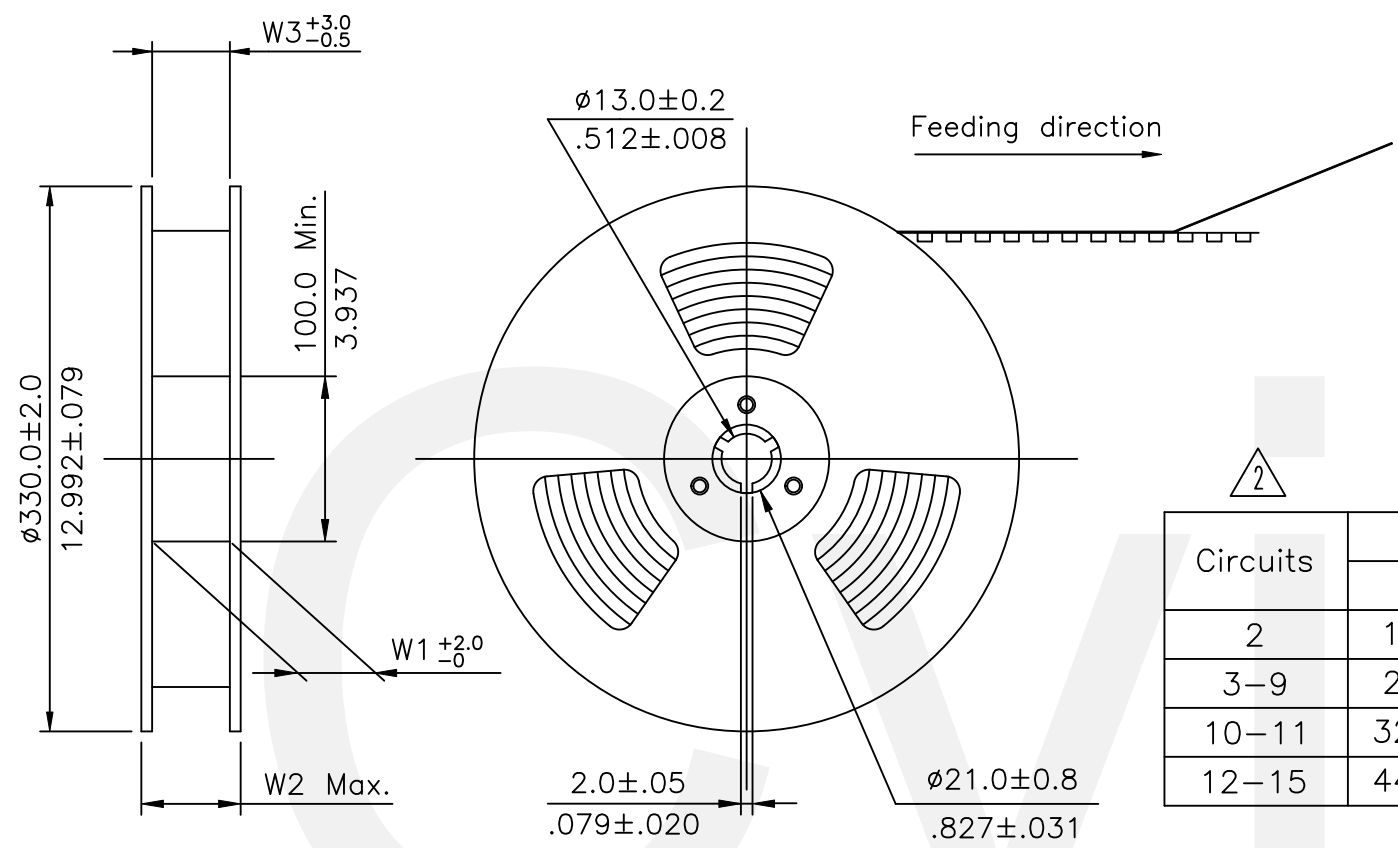
Halogen-Free

Lead Free Process

RoHS Compliant

⑤	Wayne	11/06-24'	ECRT124062/ECNT124310		DATE	UNIT: mm / inch	TITLE: 1.25MM(.049") STRAIGHT SMT TYPE HEADER	 瀚荃股份有限公司 CviLux Corporation
④	Jack	12/25-23'	ECNT123179/ECRB123029	DRAWN BY: Wayne	11/06-24'	TOLERANCE UNLESS OTHERWISE SPECIFIED	MATERIAL:	
③	Karen	12/09-14'	ECNT114252/ECRT114090	ENGINEER: Sun	11/06-24'	.X ± 0.25/.010    X' ± 1"	FINISH:	
②	Enya	7/26-12'	ECN12176-0 /ECR12061-1	CHECKED BY: Eisley	11/06-24'	.XX ± 0.15/.006    .X' ±	DRAWING NO. CI4457SF	
SYM	NAME	DATE	REVISIONS	APPROVED BY: Eisley	11/06-24'	.XXX ± 0.08/.003    .XX' ±	SCALE 5 / 1	
								PART NO. CI44**M1V**-NH
								SHEET 1 OF 2

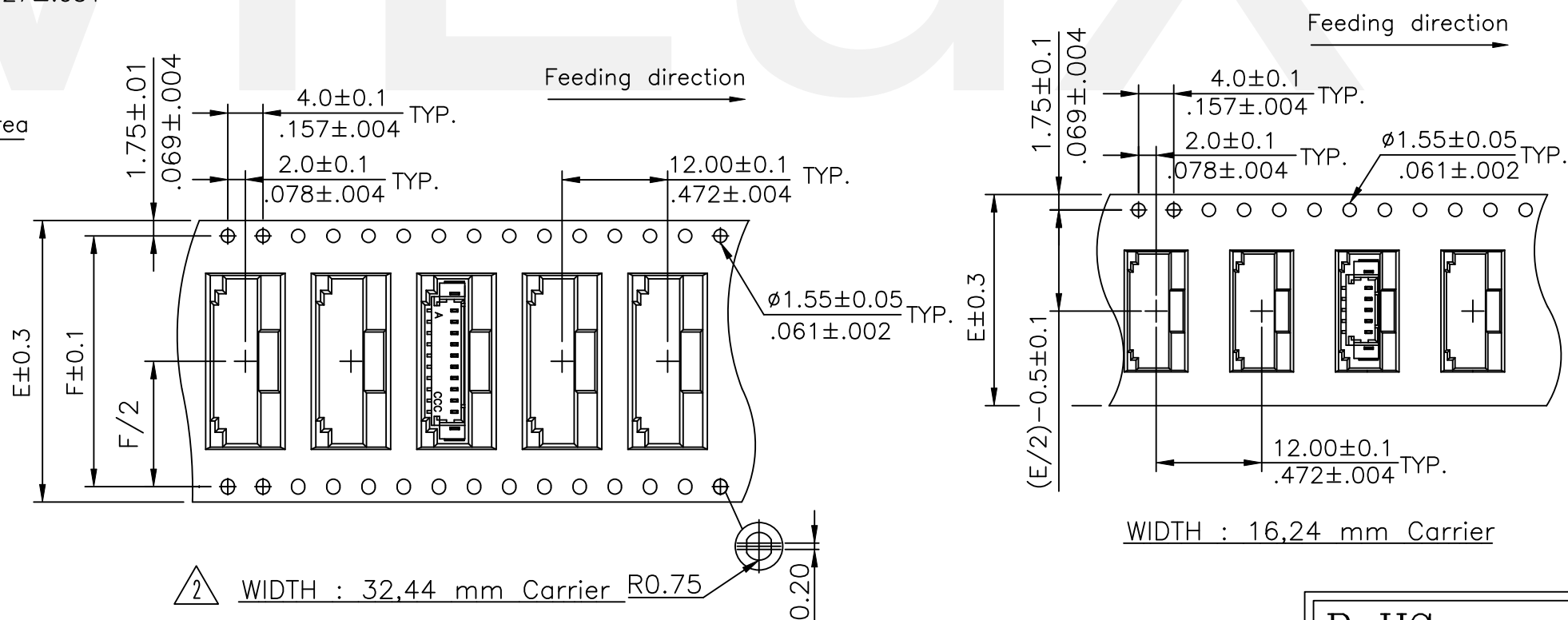
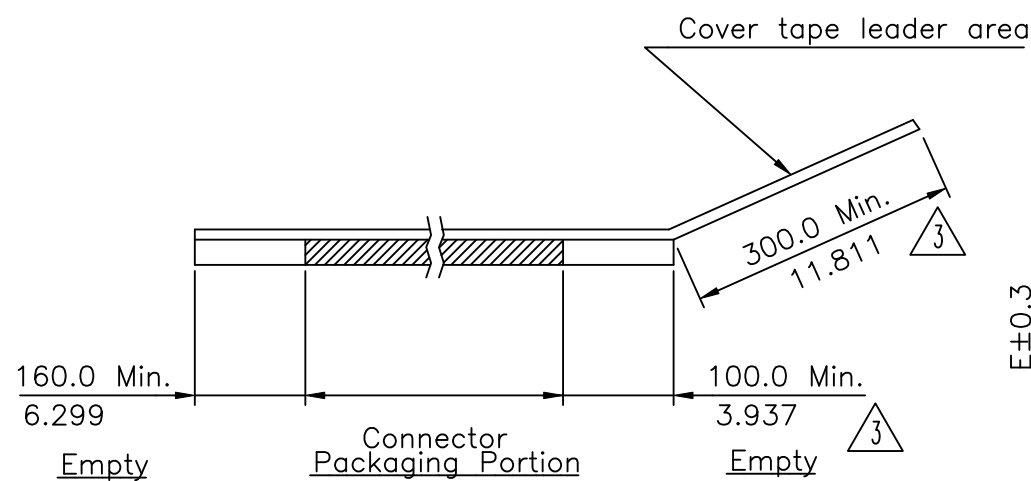




NOTE :


- \* Reel Material : HIPS
- \* Carrier Material : Clear, Conductive Polystyrene Alloy
- \* Cover Tape Material : Polyester
- \* Cover Tape Peel Strength : 0.1N – 1.3N
- \* Carrier camber is within 1mm in 100mm
- \* All dimensions meet EIA-481 requirements.
- \* Quantity : 1000 PCS/Reel

Circuits	Dimension					Packing (Reel/Carton)
	E	F	W1	W2	W3	
2	16.0(.630)	---	16.5(.650)	22.5(.886)	16.5(.650)	11
3-9	24.0(.945)	---	24.5(.965)	30.5(1.201)	24.5(.965)	9
10-11	32.0(1.260)	28.40(1.118)	32.5(1.280)	38.5(1.516)	32.5(1.280)	7
12-15	44.0(1.732)	40.40(1.591)	44.5(1.752)	50.5(1.988)	44.5(1.752)	5



2 WIDTH : 32,44 mm Carrier R0.75

RoHS Compliant

5	Wayne	11/06-24'	ECRT124062/ECNT124310		DATE	UNIT: mm / inch	TITLE: 1.25MM(.049") STRAIGHT SMT TYPE HEADER	 瀚荃股份有限公司 CviLux Corporation	
4	Jack	12/25-23'	ECNT123179/ECRB123029	DRAWN BY: Wayne	11/06-24'	TOLERANCE UNLESS OTHERWISE SPECIFIED	MATERIAL:		
3	Karen	12/09-14'	ECNT114252/ECRT114090	ENGINEER: Sun	11/06-24'	.X ± X' ± 1'	FINISH:		
2	Enya	7/26-12'	ECN12176-0 / ECR12061-1	CHECKED BY: Eisley	11/06-24'	.XX ± .X' ±	DRAWING NO. CI4457SF		
SYM	NAME	DATE	REVISIONS	APPROVED BY: Eisley	11/06-24'	.XXX ± .XX' ±	PART NO. CI44**M1V**-NH		
								SCALE	SHEET 2 OF 2

