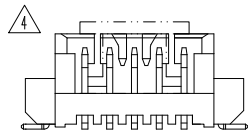
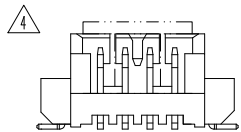
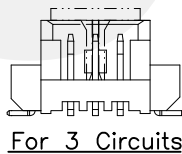
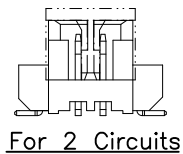
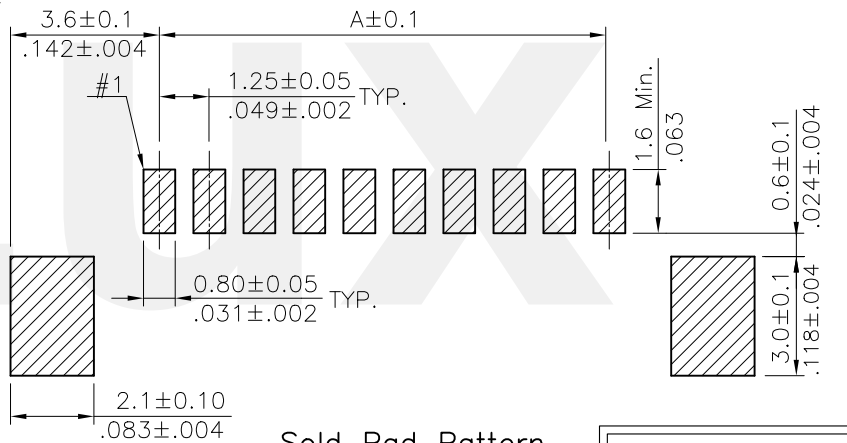


ORDERING CODE:

CI44 ** M * V RP -NH
 ① ② ③ ④ ⑤ ⑥ ⑦

- ① Series No.:
- ② No. of Circuits: 02 to 15
- ③ M= SMT Type Header
- ④ Plating Option:
 1= Matte Tin Plated over Nickel
 2= Gold flash plated over Nickel
- ⑤ Tail Style: V= Straight
- ⑥ Other Option: RP= Reel Packing & with Pad
- ⑦ -NH=For Lead Free IR Processes and Halogen-Free



Note:

- * Insulation: Nylon 6T UL 94V-0 Color Nature
- * Contact: Phosphor Bronze
- * Fixed Tab: Brass With Matte Tin Plated
- * For Lead Free IR Reflow process


A = 1.25 x No. of Spaces
 B = A + 6.1
 C = A + 1.9

* Available in 2 through 15 circuits

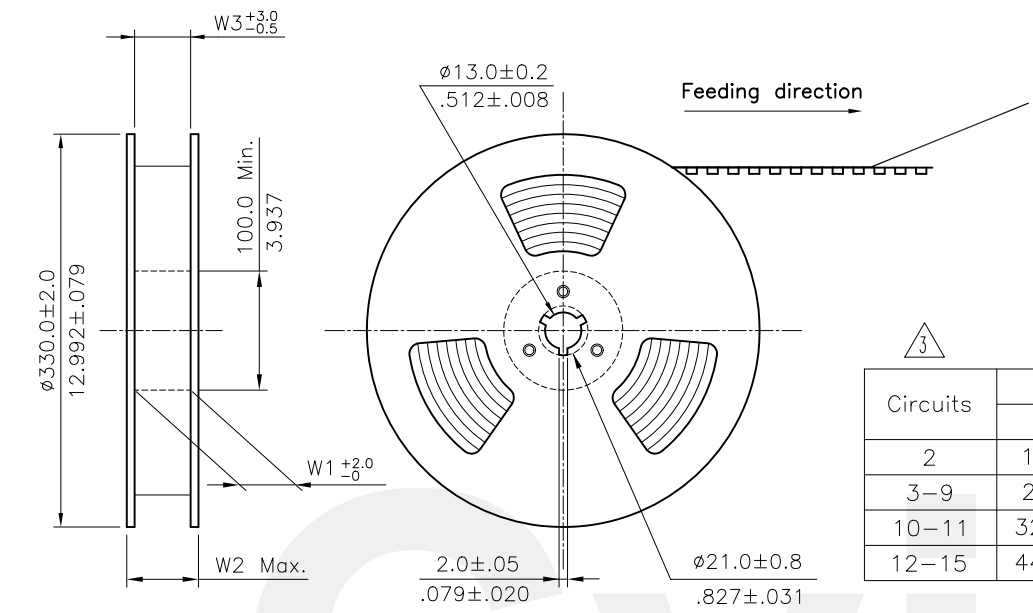
Halogen-Free

Lead Free Process

RoHS Compliant

△6	Sandy	3/28-16'	ECNT116062		DATE	UNIT: mm / inch	TITLE: 1.25MM(.049") STRAIGHT SMT TYPE HEADER	 瀚荃股份有限公司 CviLux Corporation
△5	Karen	12/09-14'	ECNT114252/ECRT114090	DRAWN BY: Sandy	3/28-16'	TOLERANCE UNLESS OTHERWISE SPECIFIED	MATERIAL:	
△4	Sun	4/25-14'	ECRB114014/ECNT114071	ENGINEER: Sun	3/31-16'	.X ± 0.25/.010 X' ± 1'	FINISH:	DRAWING NO. CI4462SG PART NO. CI44**M*VRP-NH
△3	Enya	7/26-12'	ECN12176-0 / ECR12061-1	CHECKED BY: Eisley	3/31-16'	.XX ± 0.15/.006 X' ±		SCALE 5 / 1 SHEET 1 OF 2
SYM	NAME	DATE	REVISIONS	APPROVED BY: Eisley	3/31-16'	.XXX ± 0.08/.003 .XX ±		

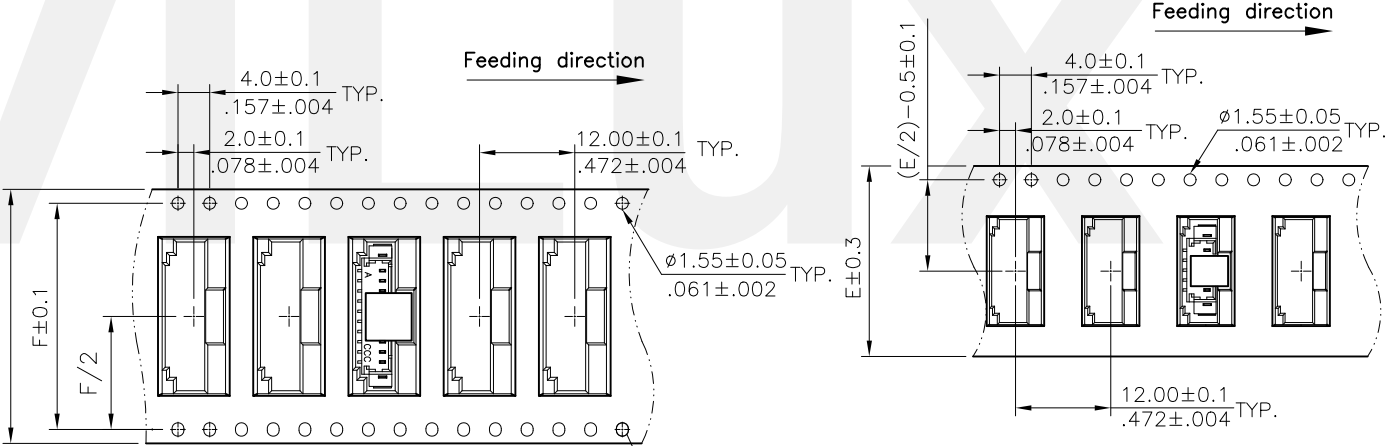
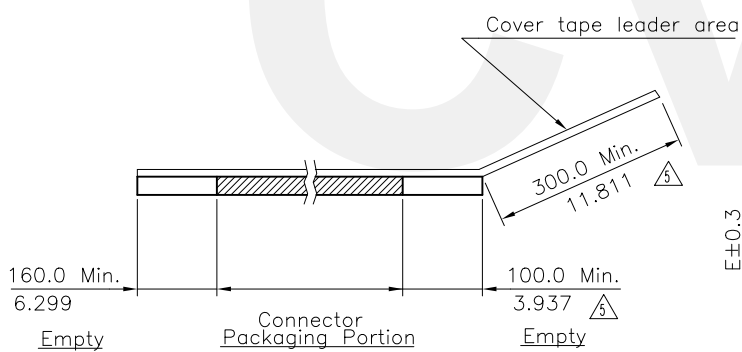
CIVILUX CORP
2016.04.07
ISSUED



NOTE :

- * Reel Material : CORRUGATED PAPER
- * Carrier Material : Clear, Conductive Polystyrene Alloy
- * Cover Tape Material : Polyester
- * Cover Tape Peel Strength : 0.1N – 1.3N
- * Carrier camber is within 1mm in 100mm
- * All dimensions meet EIA-481-2 & EIA-481-3 requirements.
- * Quantity : 1000 PCS/Reel

Circuits	Dimension					Packing (Reel/Caton)
	E	F	W1	W2	W3	
2	16.0(.630)	---	16.5(.650)	22.5(.886)	16.5(.650)	11
3-9	24.0(.945)	---	24.5(.965)	30.5(1.201)	24.5(.965)	9
10-11	32.0(1.260)	28.40(1.118)	32.5(1.280)	38.5(1.516)	32.5(1.280)	7
12-15	44.0(1.732)	40.40(1.591)	44.5(1.752)	50.5(1.988)	44.5(1.752)	5



WIDTH : 16.24 mm Carrier

WIDTH : 32.44 mm Carrier R0.75

RoHS Compliant

6	Sandy	3/28-16'	ECNT116062	 2016.04.07 ISSUED	DATE	UNIT: mm / inch	TITLE: 1.25MM(.049")	 瀚荃股份有限公司 CviLux Corporation	
5	Karen	12/09-14'	ECNT114252/ECRT114090		DRAWN BY: Sandy	3/28-16'	TOLERANCE UNLESS OTHERWISE SPECIFIED		STRAIGHT SMT TYPE HEADER
4	Sun	4/25-14'	ECRB114014/ECNT114071		ENGINEER: Sun	3/31-16'	.X ±		.X' ± 1'
3	Enya	7/26-12'	ECN12176-0 / ECR12061-1		CHECKED BY: Eisley	3/31-16'	.XX ±	.X' ±	
SYM	NAME	DATE	REVISIONS		APPROVED BY: Eisley	3/31-16'	.XXX ±	.XX' ±	MATERIAL: FINISH:
				DRAWING NO. CI4462SG	PART NO. CI44**M*VRP-NH	SCALE		SHEET 2 OF 2	