

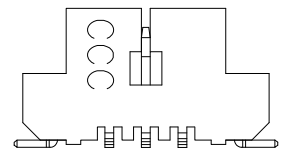
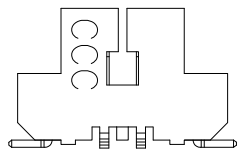
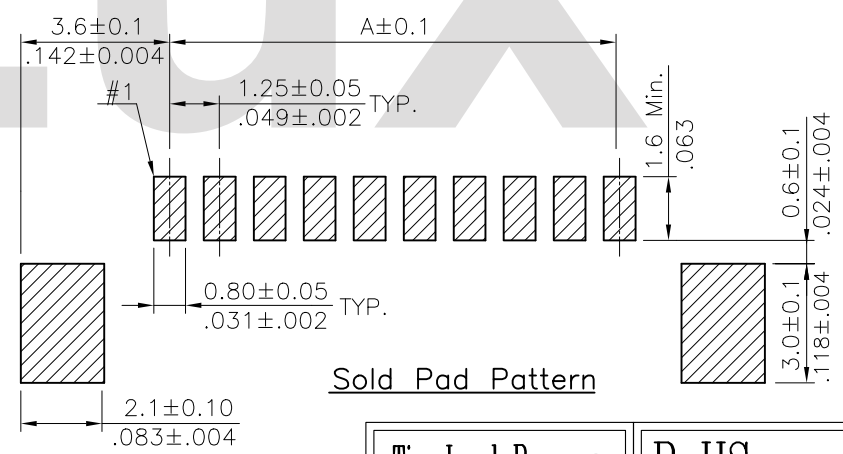
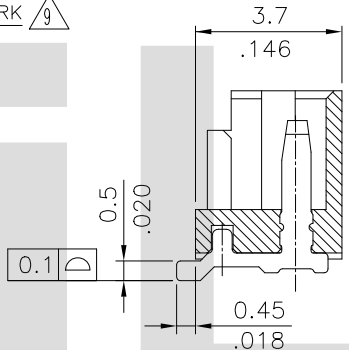
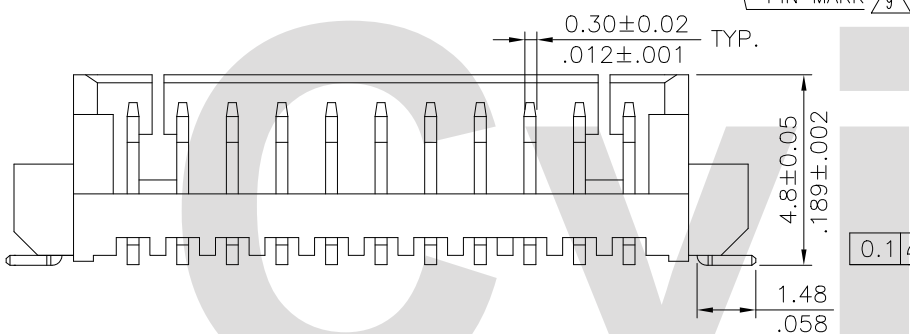
ORDERING CODE:

CI44 ** M 1 V 00
 ① ② ③ ④ ⑤ ⑥

- ① SERIES NO.:
- ② NO. OF CIRCUITS: 02 TO 15
- ③ M= SMT TYPE HEADER
- ④ PLATING OPTION:
1= Tin over Nickel plated
- ⑤ TAIL STYLE: V= STRAIGHT
- ⑥ OPTION: 00= STANDARD(TUBE PACKING)
R0= TAPE & REEL PACKING

Note:

* Material :
 Insulation:
 Nylon 46+40% G.F UL 94V-0
 Color Nature(Ivory)
 Contact : Phosphor Bronze
 Fixed Tab : Brass with Tin Plated
 * Recommended mating part:
 Housing : CI44**S0000
 Terminal : CI44T011PPO



FOR 2 Circuits

FOR 3 Circuits

A = 1.25 x No. of Spaces
 B = A + 6.1
 C = A + 1.9

* Available in 2 through 15 circuits

Sold Pad Pattern

Tin-Lead Process RoHS Compliant

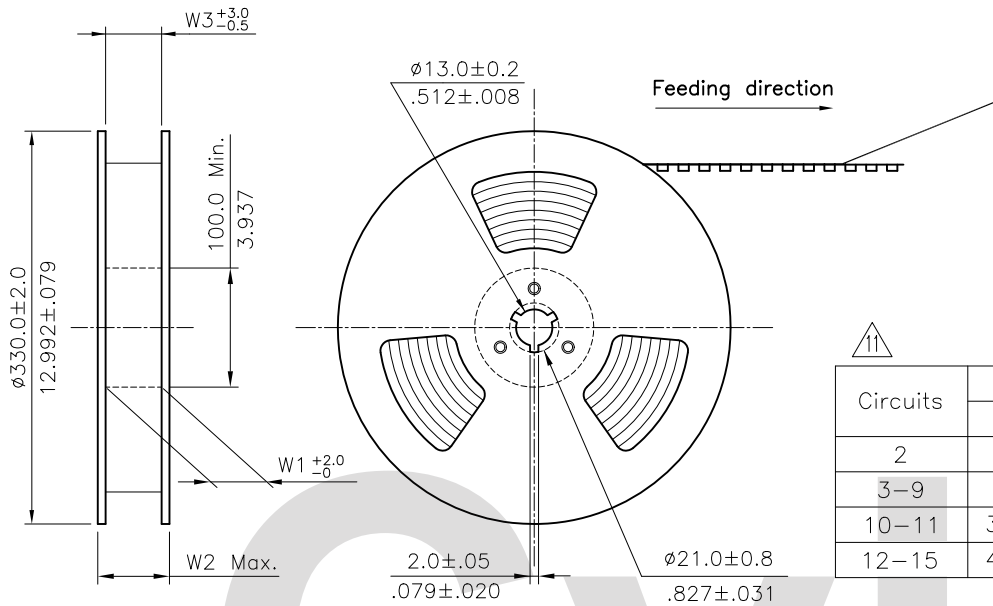
△12	Karen	12/09-14'	ECNT114252/ECRT114090		DATE	UNIT: mm / inch	TITLE: 1.25MM(.049") STRAIGHT SMT TYPE HEADER
△11	Enya	7/26-12'	ECN12176-0 / ECR12061-1	DRAWN BY: Karen	12/25-14'	TOLERANCE UNLESS OTHERWISE SPECIFIED	MATERIAL: FINISH:
△10	Karen	4/13-11'	ECN11071/ECR11010-1	ENGINEER: Sun	12/26-14'	.X ± 0.25/.010 X' ± 1'	
△9	Tim	11/09-10'	ECR10145-0/ECN10364	CHECKED BY: Eisley	12/29-14'	.XX ± 0.15/.006 X' ±	
SYM	NAME	DATE	REVISIONS	APPROVED BY: Eisley	12/29-14'	.XXX ± 0.08/.003 .XX ±	

CVILUX CORP
 2015.01.16
 ISSUED



瀚荃股份有限公司
 CviLux Corporation

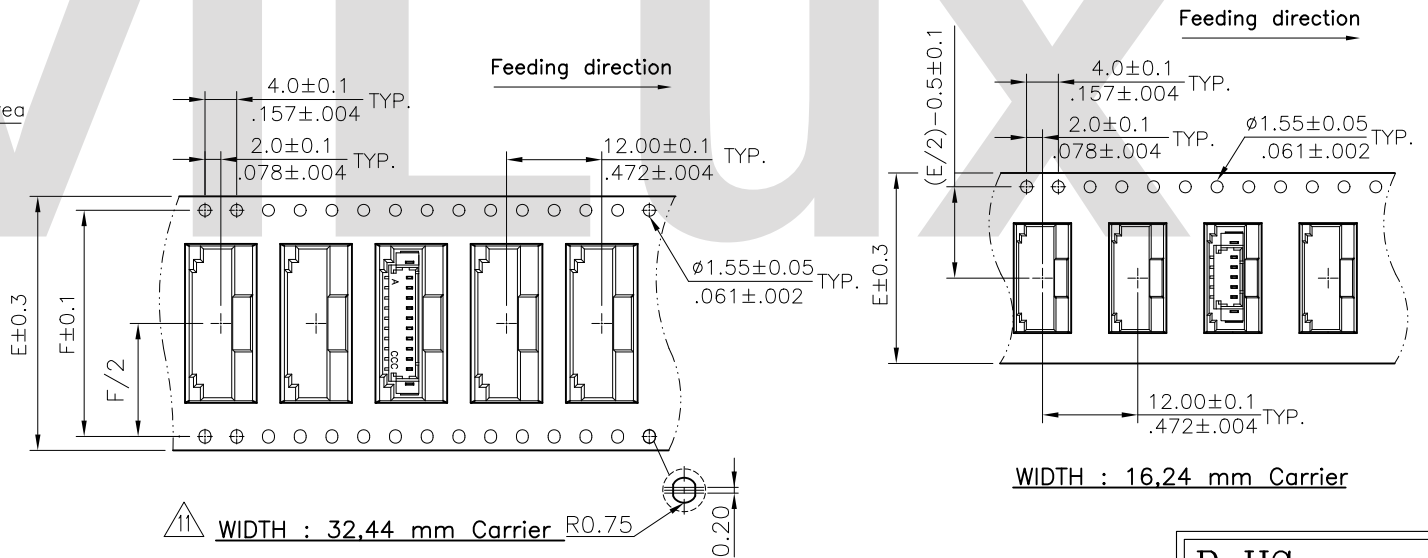
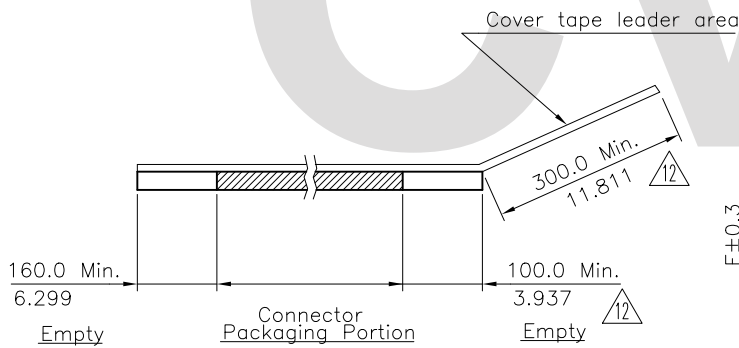
DRAWING NO.	CI4406SR	PART NO.	CI44**M1V**
SCALE	5 / 1	SHEET	1 OF 2



NOTE :

- * Reel Material : CORRUGATED PAPER
- * Carrier Material : Clear, Conductive Polystyrene Alloy
- * Cover Tape Material : Polyester
- * Cover Tape Peel Strength : 0.1N – 1.3N
- * Carrier camber is within 1mm in 100mm
- * All dimensions meet EIA-481-2 & EIA-481-3 requirements.
- * Quantity : 1000 PCS/Reel

Circuits	Dimension					Packing (Reel/Caton)
	E	F	W1	W2	W3	
2	16.0(.630)	---	16.5(.650)	22.5(.886)	16.5(.650)	11
3-9	24.0(.945)	---	24.5(.965)	30.5(1.201)	24.5(.965)	9
10-11	32.0(1.260)	28.40(1.118)	32.5(1.280)	38.5(1.516)	32.5(1.280)	7
12-15	44.0(1.732)	40.40(1.591)	44.5(1.752)	50.5(1.988)	44.5(1.752)	5



RoHS Compliant

SYM	NAME	DATE	REVISIONS	APPROVED BY:	DATE	UNIT: mm / inch	TITLE: 1.25MM(.049") STRAIGHT SMT TYPE HEADER	MATERIAL:			DRAWING NO. CI4406SR PART NO. CI44**M1V**		
12	Karen	12/09-14	ECNT114252/ECRT114090		DATE	UNIT: mm / inch	1.25MM(.049") STRAIGHT SMT TYPE HEADER	MATERIAL:			DRAWING NO. CI4406SR PART NO. CI44**M1V**		
11	Enya	7/26-12	ECN12176-0 / ECR12061-1	DRAWN BY: Karen	12/25-14	TOLERANCE UNLESS OTHERWISE SPECIFIED							
10	Karen	4/13-11	ECN11071/ECR11010-1	ENGINEER: Sun	12/26-14	.X ±	FINISH:	SCALE			SHEET 2 OF 2		
9	Tim	11/09-10	ECR10145-0/ECN10364	CHECKED BY: Eisley	12/29-14	.XX ±							
				APPROVED BY: Eisley	12/29-14	.XXX ±							

CVILUX CORP
2015.01.16
ISSUED

瀚荃股份有限公司
CviLux Corporation