

A = 1.25 × No. of Spaces

B = A + 5.0

C = A + 2.66

* Available in 3 through 36 circuits

Material:

* Insulation: PBT. with 15% GF.

Color Black

* Contact: Phosphor Bronze

Ordering Code

CF12 ** 1 V0 T 0
 ① ② ③ ④ ⑤ ⑥

① Series No.

② No. of Circuits

③ Plating code:

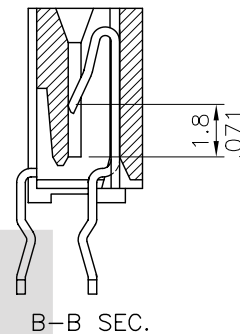
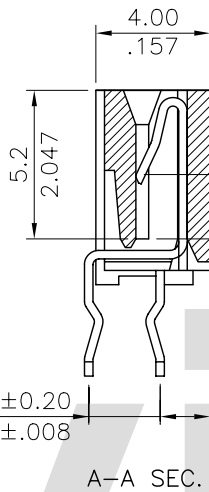
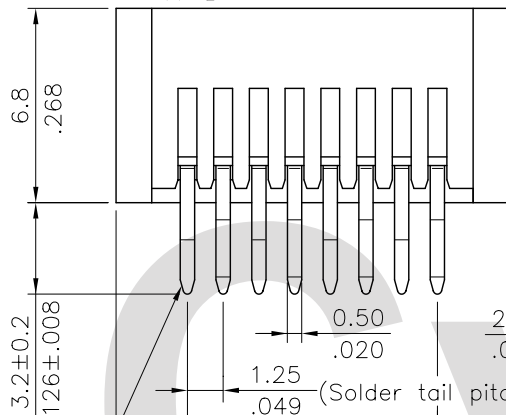
1 = 2.54μm(100μ") Tin over

0.76μm(30μ") Nickel

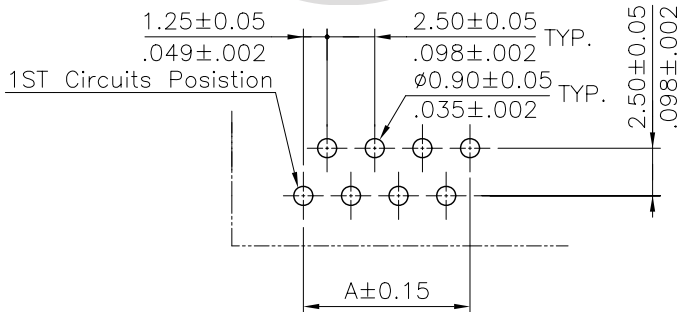
④ Contact type : V0 = Straight Dip type

⑤ Packing : T = Tube Packaged

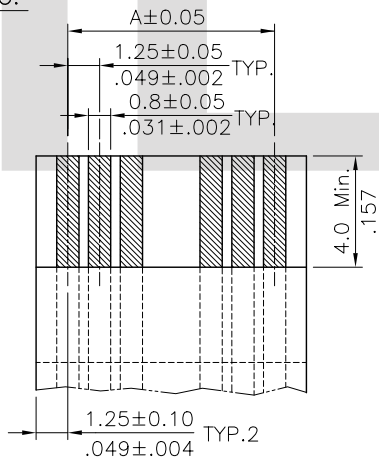
⑥ Other option: 0 = Standard



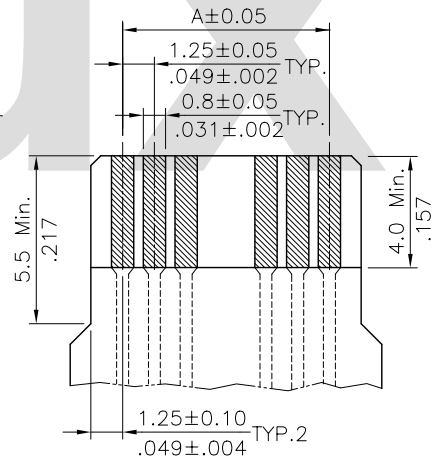
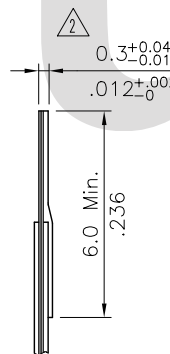
1ST Circuits Position



Recommended P.C. Board Layout




* ACCOMMODATED FFC



* ACCOMMODATED FPC



RoHS Compliant

④					DATE	UNIT: mm / inch	TITLE: 1.25mm(.049") ST. DIP TYPE LIF FFC/FPC CONNECTOR	 瀚荃股份有限公司 CviLux Corporation
③					DRAWN BY: Sandy	TOLERANCE UNLESS OTHERWISE SPECIFIED	MATERIAL:	
②	Sandy	9/22-07'	ECN07381/ECRO7065-1	2007.10.02 ISSUED	ENGINEER: Easley	.X ± 0.15/.006 X' ± 1'	FINISH:	
①	Easley	1/9-06"	ECN06010		CHECKED BY: David	.XX ± 0.10/.004 X' ±	DRAWING NO. CF1201SE	PART NO. CF12**1VOTO
SYM	NAME	DATE	REVISIONS		APPROVED BY: Alex	.XXX ± 0.05/.002 XX' ±	SCALE 3 / 1	SHEET 1 OF 1