

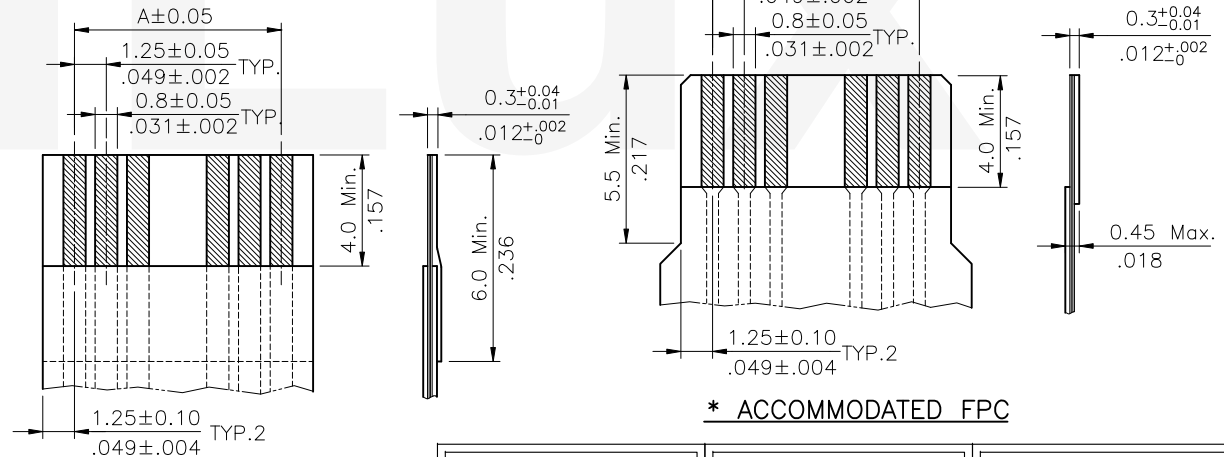
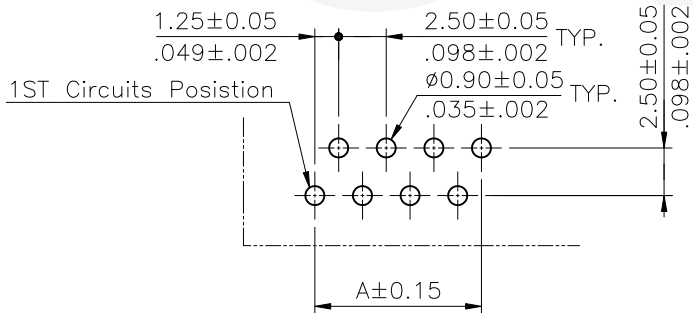
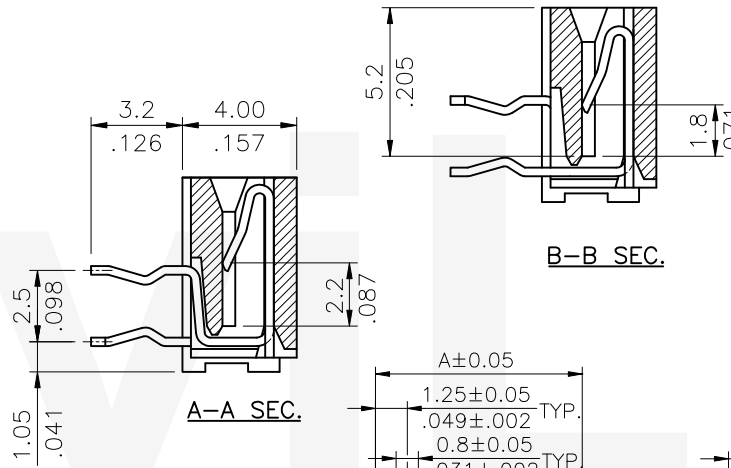
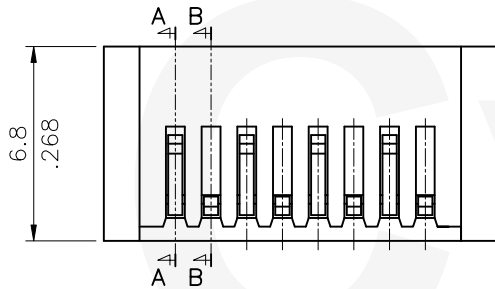
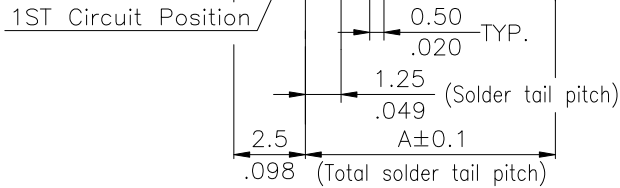
Material:
 * Insulation: High temperature plastic
 UL 94V-0, Color Black
 * Contact: Phosphor Bronze
 * For Lead Free Wave Flow Process

Ordering Code

CF12 ** 1 H0 T 0 -NH
 ① ② ③ ④ ⑤ ⑥ ⑦

- ① Series No.
- ② No. of Circuits
- ③ Plating code:
 1 = 2.54μm(100μ") Matte Tin
 over 0.76μm(30μ") Nickel
- ④ Contact type : H0= Right angle type
- ⑤ Packing : T= Tube Packaged
- ⑥ Other option: 0= Standard
- ⑦ -NH= For Lead Free Wave Processes
 and Halogen-Free

A = 1.25 x No. of Spaces
 B = A + 5.0
 C = A + 2.66
 * Available in 3 through 36 circuits



Recommended P.C. Board Layout

* ACCOMMODATED FFC

Halogen-Free

Lead Free Process

RoHS compliant

CVILUX CORP
 2019.06.27
 ISSUED

④					DATE	UNIT: mm / inch	TITLE: 1.25mm(.049") R/A DIP TYPE LIF FFC/FPC CONNECTOR	 瀚荃股份有限公司 CviLux Corporation			
③				DRAWN BY: Sun	6/20-19'	TOLERANCE UNLESS OTHERWISE SPECIFIED					MATERIAL:
②				ENGINEER: Sun	6/20-19'	.X ± 0.15/.006	X' ± 1'				
①				CHECKED BY: Eisley	6/24-19'	.XX ± 0.10/.004	X' ±				FINISH:
SYM	NAME	DATE	REVISIONS	APPROVED BY: Eisley	6/24-19'	.XXX ± 0.05/.002	.XX' ±	DRAWING NO. CF1217SA	PART NO. CF12**1H0T0-NH		
								SCALE 3 / 1	SHEET 1 OF 1		